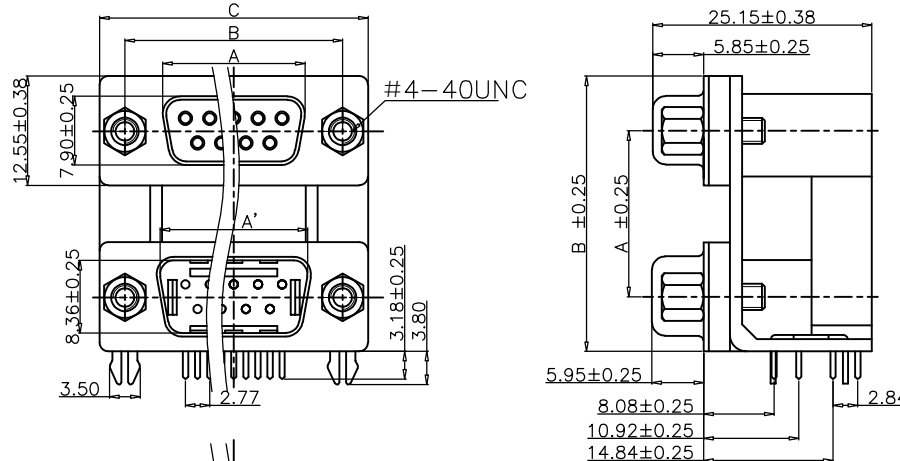


RoHS Compliant

REVISIONS			
REV.	DESCRIPTION	DATE	DESIGN

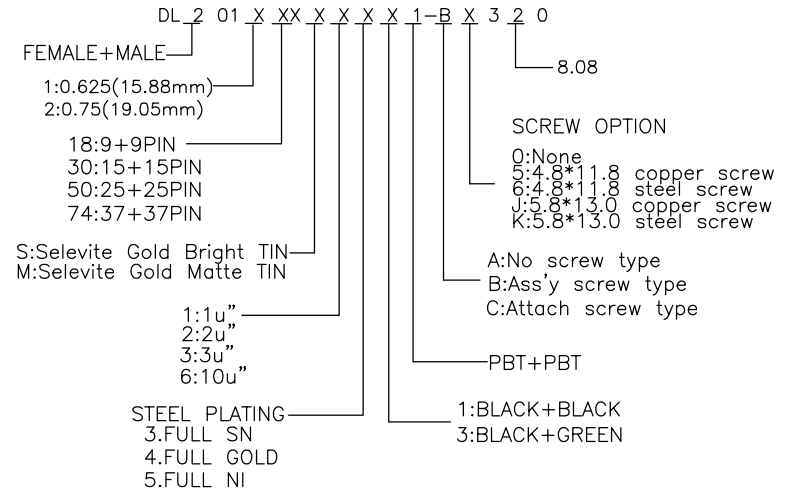


DIM A	DIM B
15.88	28.43
19.05	31.60

No. of Contact	A±0.25	A'±0.25	B±0.25	C±0.38	D
18	16.33	16.92	24.99	30.81	11.08
30	24.66	25.25	33.32	39.14	19.39
50	38.38	38.96	47.04	53.04	33.24
74	54.84	55.42	63.50	69.32	49.86

NOTE:

- MATERIALS AND FINISHED  
 INSULATOR : LCP OR PBT+25% GF UL 94V-0,  
 SHELL : STEEL, NI FINISHED  
 CONTACT MATERIAL:BRASS, SELEVITE GOLD FINISHED  
 HARPOON:BRASS,SN FINISHED  
 RIVET: COPPER ALLOY ,NI FINISHED  
 WITH #4-40 THREADED ASSEMBLED
- ELECTRICAL CHARACTERISTICS  
 CURRENT RATING : 1.0 AMP DC  
 VOLTAGE RATING: 300 V DC  
 CONTACT RESISTANCE :20 MILLIOHMS MAX.  
 DIELECTRIC WITHSTANDING VOLTAGE : 1000 V AC MIN.  
 INSULATION RESISTANCE : 5000 MEGAOHMS MIN.
- ENVIRONMENTAL  
 OPERATING TEMPERATURE: -55°C ~ +85°C  
 STORAGE TEMPERATURE:-55°C ~ +105°C
- HOW TO ORDER:



RECOMMENDED PCB LAYOUT THICKNESS=1.6mm  
 TOLERANCE:±0.05

**Bestcreate Technology Limited**

TOLERANCES UNLESS OTHERWISE SPECIFIED:

.X	± 0.35	X.*	± 2'
.XX	± 0.25	.X'	± 1'
.XXX	± 0.15	.XX'	± 0.5'

Website: [www.bsc-elec.com](http://www.bsc-elec.com)  
 Email: [bestcreate@bsc-elec.com](mailto:bestcreate@bsc-elec.com)

DESIGN: I. L DATE: 2017. 3. 1

CHECKED: C. W DATE: 2017. 3. 1

APPROVED: C. W DATE: 2017. 3. 1

TITLE: DR 9P FEMALE TO DR 9P MALE CONNECTOR 19.05MM

MATERIAL: DL201X-XXXXXX1-BX320 PART NO: DL201X-XXXXXX1-BX320 SIZE: A4

FINISH: DWG NO: DL201X-XXXXXX1-BX320

REV:	UNIT	SCALE	QUALITY SYMBOLS
A	mm	1=1	