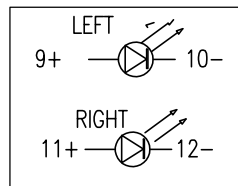
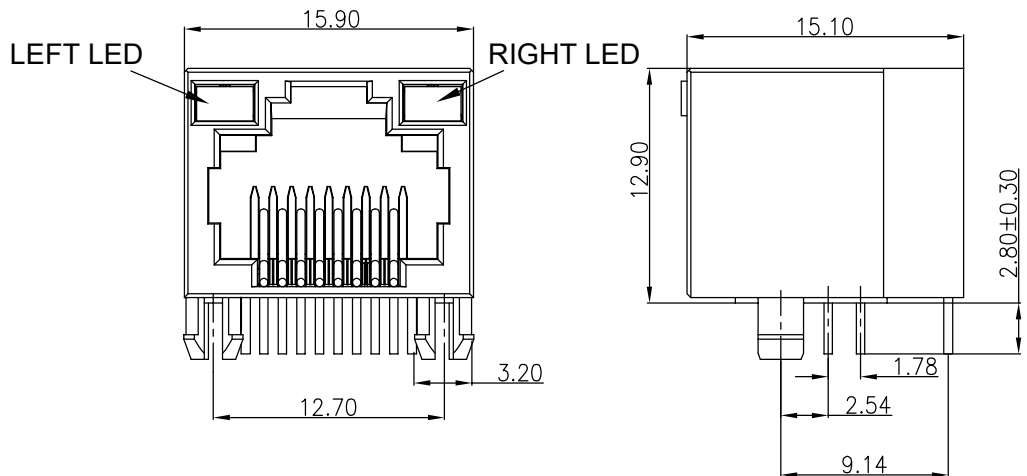


RoHS Compliant

REVISIONS			
REV.	DESCRIPTION	DATE	DESIGN

焊脚尺寸以顺畅过孔规为准



NOTES

**MATERIAL**  
 1. HOUSING MATERIAL : GLASS FILLED POLYESTER UL94V-0.  
 2. CONTACT MATERIAL : PHOSPHOR BRONZE  $\phi$ 0.46mm.  
 3. PLATING : GOLD FLASH PLATING OVER NICKEL.

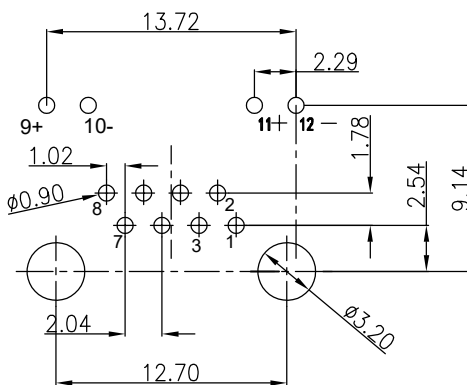
**ELECTRICAL**  
 1. VOLTAGE RATING : 125 VAC RMS.  
 2. CURRENT RATING : 1.5 AMP.  
 3. CONTACT RESISTANCE : 40 MILLIOHMS MAX.  
 4. INSULATION RESISTANCE : 500 MEGOHMS MIN @ 100V DC .  
 5. DIELECTRIC DIELECTRIC RESISTANCE : 500V DC RMS 50Hz. 1MIN.

**MECHANICAL**  
 1. DURRABILITY : 750 CYCLES MIN.  
 2. MATING/UNMATING FOR : 2.24 KG. F MAX.

**ENVIRONMENTAL:**  
 1. STORAGE : -40°C~+85°C.  
 2. OPERATION : -40°C~+85°C.

8	/
7	/
6	RX-
5	/
4	/
3	RX+
2	TX-
1	TX+

PIN序 说明



PART NO. INFORMATION

**RJ01- X X X X - 075**

**CONTACT PLATED**  
 1: G/F 2: AU 3U"  
 3: AU 5U" 4: AU 10U"  
 5: AU 15U" 6: AU 30U"

**PACKAGE**  
 R: TAPE REEL  
 T: TRAY

**HOUSING:**  
 A:PA46 BLACK B:PBT BLACK  
 1:L-YELLOW R-GREEN C:PBT YELLOW D:PBT BLUE  
 2:L-GREEN R-YELLOW E:PBT WHITE

**Bestcreate Technology Limited**

TOLERANCES UNLESS OTHERWISE SPECIFIED:

.X	± 0.35	X.'	± 3'
.XX	± 0.25	.X'	± 2'
.XXX	± 0.15	.XX'	± 1'

Website: [www.bsc-elec.com](http://www.bsc-elec.com)  
 Email: [bestcreate@bsc-elec.com](mailto:bestcreate@bsc-elec.com)

DESIGN:	DATE:
I. L	2017. 3. 1
CHECKED:	DATE:
C. W	2017. 3. 1
APPROVED:	DATE:
C. W	2017. 3. 1

TITLE:  
 RJ45 56B FEMALE CONNECTOR WITH LED LIGHT

MATERILA:	PART NO:	SIZE:
	RJ01-XXXX-075	A4
FINSH:	DWG NO:	
	RJ01-XXXX-075	

REV:	UNIT	SCALE	QUALITY SYMBOLS
A	mm	1=1	