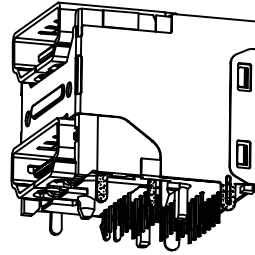
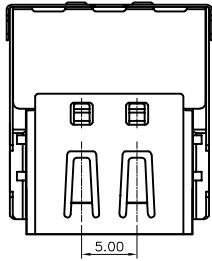


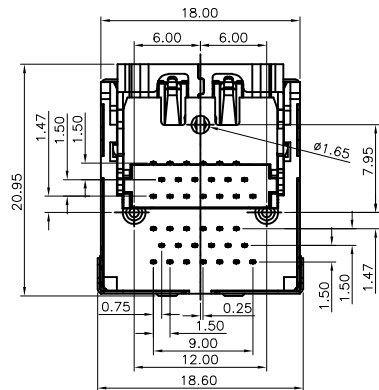
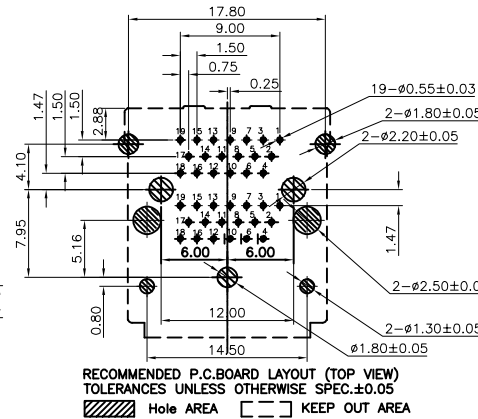
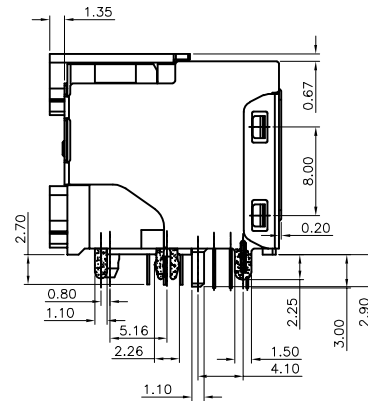
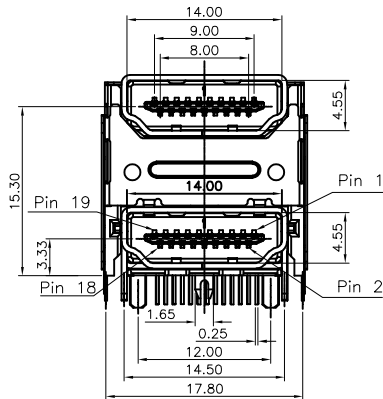
RoHS Compliant

REVISIONS			
REV.	DESCRIPTION	DATE	DESIGN



NOTES:

- MATERIAL:  
HOUSING--HIGH TEMP THERMAL PLASTIC,  
UL 94V-0, BLACK; TERMINAL--COPPER ALLOY;  
SHELL--STAINLESS STEE;
- PLATING:  
TERMINAL--GOLD PLATING SEE TABLE ON CONTACT  
AREA GOLD FLASH ON SOLDERTAIL AREA  
ALL OVER 1.27 MICRON MIN. NICKEL PLATING;  
SHELL--TIN OR NI PLATING OVER ALL;
- HOWTO ORDER:



PART NO. INFORMATION

**DHD01 - F X X 5 T - 004**

GENDER  
F: FEMALE  
M: MALE

CONTACT PLATED  
1: GOLD FLASH  
2: GOLD 3U"  
3: GOLD 5U"  
4: GOLD 10U"  
5: GOLD 15U"  
6: GOLD 30U"

PACKAGE  
T: TRAY  
HOUSING COLOR  
2: WHITE  
5: BLACK  
9: NATURE  
HOUSING MATERIAL  
A: LCP B: PBT  
C: PA9T D: PA6T  
E: PA46 F: PA66

**Bestcreate Technology Limited**

TOLERANCES UNLESS OTHERWISE SPECIFIED:

.X	± 0.35	X'	± 3'
.XX	± 0.25	.X'	± 2'
.XXX	± 0.15	.XX'	± 1'

Website: [www.bsc-elec.com](http://www.bsc-elec.com)

Email: [bestcreate@bsc-elec.com](mailto:bestcreate@bsc-elec.com)

DESIGN: I. L  
DATE: 2017. 3. 1

CHECKED: C. W  
DATE: 2017. 3. 1

APPROVED: C. W  
DATE: 2017. 3. 1

TITLE: **DUAL HDMI STACKED CONNECTOR THROUGH HOLE TYPE**

MATERILA: FINSH: PART NO: DHD01-FXX5T-004 SIZE: A4

DWG NO: DHD01-FXX5T-004

REV: A UNIT mm SCALE 1=1 QUALITY SYMBOLS