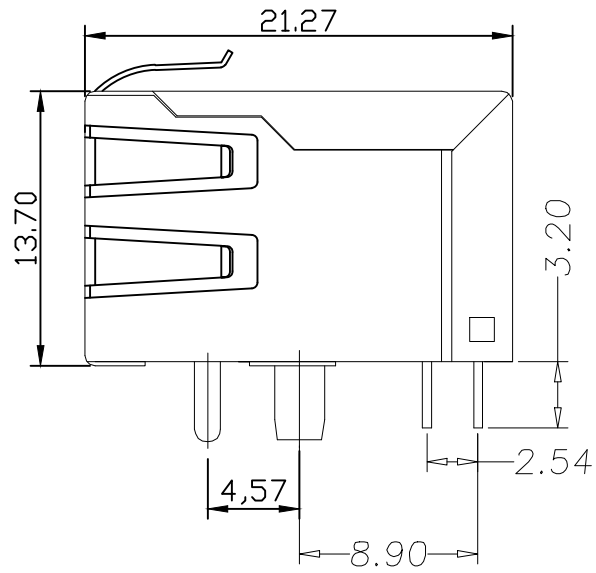
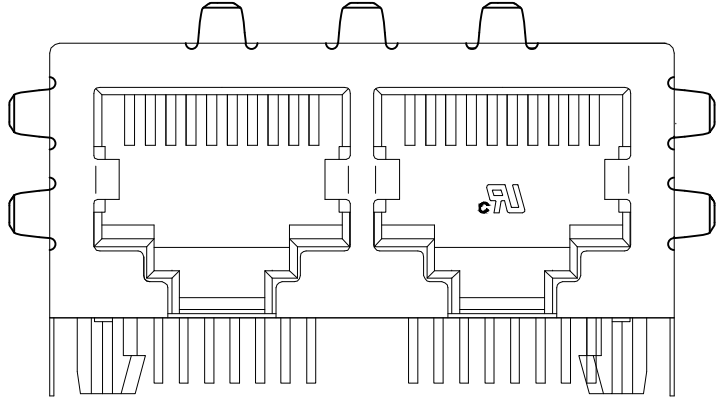


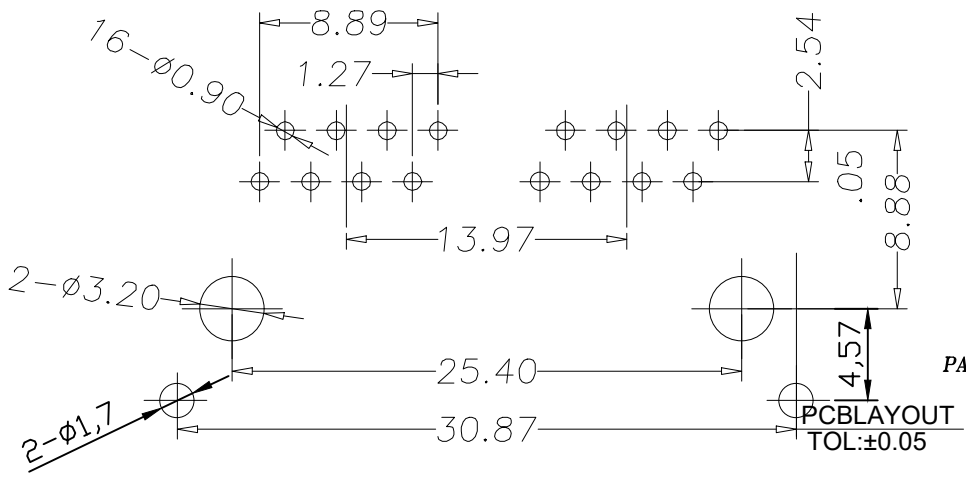
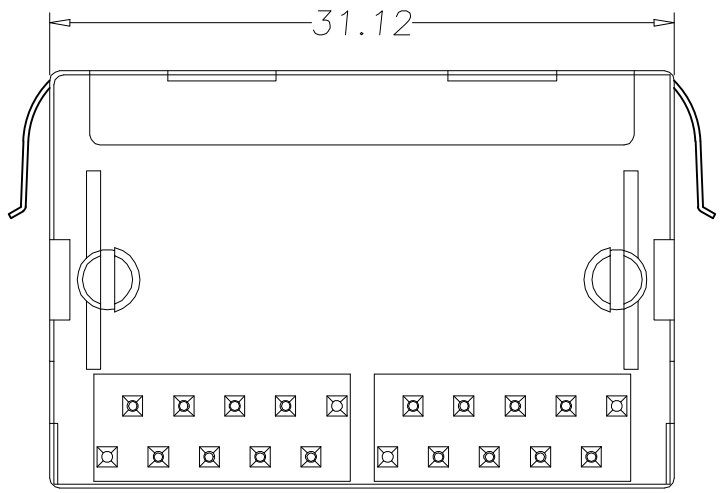
RoHS Compliant

REVISIONS			
REV.	DESCRIPTION	DATE	DESIGN



NOTES

- MATERIAL**
- 1. HOUSING MATERIAL : PBT BLACK UL94V-0.
 - 2. CONTACT MATERIAL : PHOSPHOR BRONZE ϕ 0.46mm.
 - 3. PLATING : GOLD FLASH PLATING OVER NICKEL.
 - 4. SHIELD : 0.20mm THICKNESS COPPER ALLOY WITH NICKEL PLATED.
- ELECTRICAL**
- 1. VOLTAGE RATING : 125 VAC RMS.
 - 2. CURRENT RATING : 1.5 AMP.
 - 3. CONTACT RESISTANCE : 40 MILLIOHMS MAX.
 - 4. INSULATION RESISTANCE : 500 MEGOHMS MIN @ 100V DC .
 - 5. DIELECTRIC DIELECTRIC RESISTANCE : 500V DC RMS 50Hz. 1MIN.
- MECHANICAL**
- 1. DURRABILITY : 750 CYCLES MIN.
 - 2. MATING/UNMATING FORC: 2.24 KG. F MAX.
- ENVIRONMENTAL:**
- 1. OPERATION : -40°C~+85°C.
 - 2. STORAGE : -40°C~+85°C.



PART NO. INFORMATION

RJ01- X 5 2 X - 049

CONTACT PLATED
 1: G/F 2: AU 3U"
 3: AU 6U"
 PACKAGE
 R: TAPE REEL
 T: TRAY

HOUSING:
 1:LCP BLACK
 2.PBT BLACK
 3.PA46 BLACK
 4.PA9T BLACK

Bestcreate Technology Limited

TOLERANCES UNLESS OTHERWISE SPECIFIED:			
.X	± 0.35	X.*	± 3"
.XX	± 0.25	.X.*	± 2"
.XXX	± 0.15	.XX.*	± 1"

Website: www.bsc-elec.com
 Email: bestcreate@bsc-elec.com

DESIGN:	DATE:
I. L	2017. 3. 1
CHECKED:	DATE:
C. W	2017. 3. 1
APPROVED:	DATE:
C. W	2017. 3. 1

TITLE:		
5921 1x2 RJ45 8P8C F4.57 DIP TYPE		
MATERILA:	PART NO:	SIZE:
	RJ01-X52X-049	A4
FINSH:	DWG NO:	
	RJ01-X52X-049	

REV:	UNIT	SCALE	QUALITY SYMBOLS
A	mm	1=1	