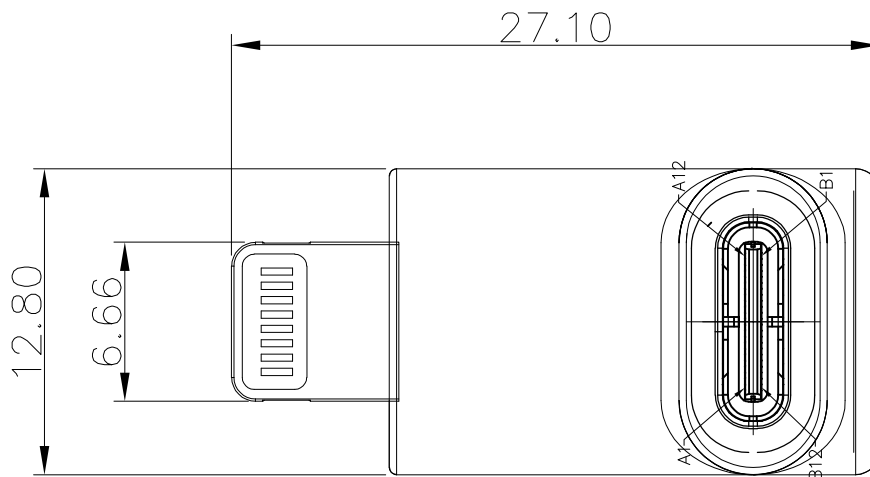


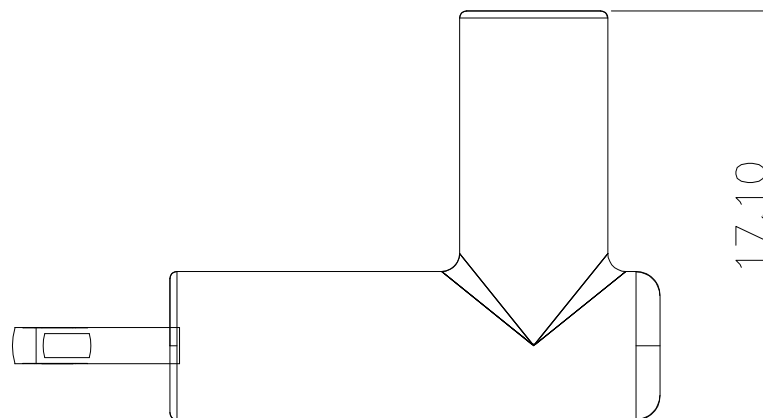
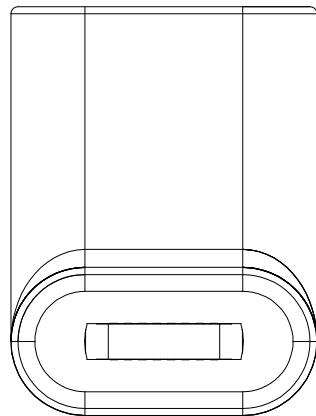
RoHS Compliant

REVISIONS			
REV.	DESCRIPTION	DATE	DESIGN



NOTE:

1. ELECTRICAL CHARACTERISTICS;
 - 2.1 CONTACT RESISTANCE: 80mΩ Max
 - 2.2 CONTACT CURRENT RATING: 1.5 A
 - 2.3 DIELECTRIC WITHSTANDING VOLTAGE: 100 V R.M.S.
 - 2.4 INSULATION RESISTANCE 100 MEGOHMS Min
 - 2.5 OPERATING TEMPERATURE: -25° C ~ 75° C
- 2 MECHANICAL CHARACTERISTICS:
 - 2.1 MATING FORCE: USB CM 5~20N & MICRO USB 35N Max.
 - 2.2 UNMATED FORCE: USB CM 8~20N & MICRO USB 10N Min.
3. PLATING
 - 3.1 TERMINAL CONTACT: (SEE TAB) GOLD PLATING ALL OVER 50u"MIN NICKEL
 - 3.2 SHELL: 50u"MIN. NICEL ALL OVER



2	PVC		PVC 45P, COLOR: WHITE&BLACK	0.005KG
1	PCBA		TYPE CF TO AP DAI IC OHM, NICKEL PLATED	1PCS
Item	Name	Part Number	Description	Q'TY

Bestcreate Technology Limited

TOLERANCES UNLESS OTHERWISE SPECIFIED:

X.	±	0.50	X.'	±	5'
.X	±	0.30	.X'	±	2'
.XX	±	0.10	.XX'	±	1'

DESIGN:	DATE:	
I.L	2017.3.1	
CHECKED:	DATE:	
C.W	2017.3.1	
APPROVED:	DATE:	
C.W	2017.3.1	

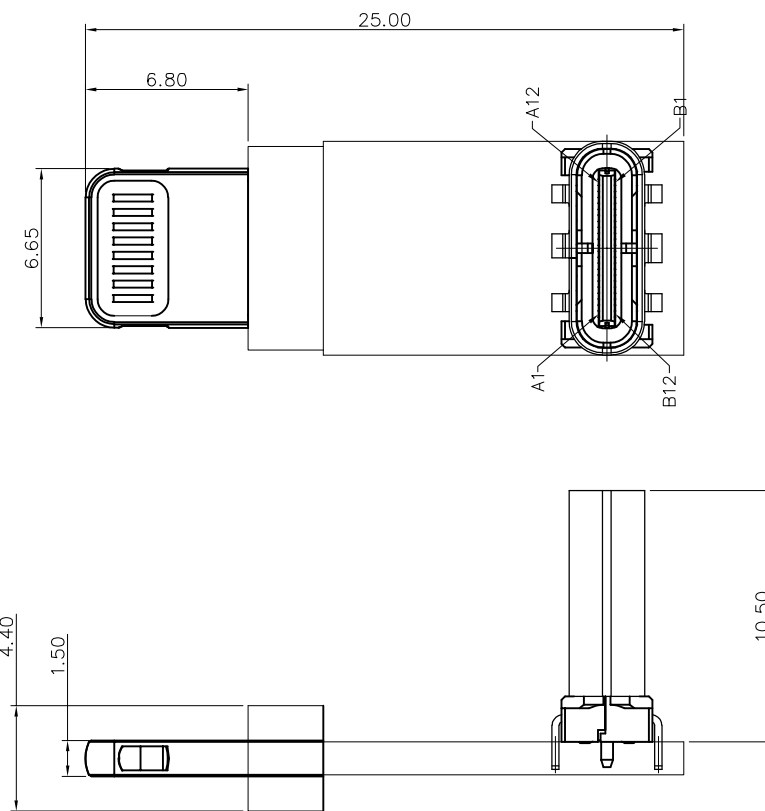
TITLE:		
AP CM TO USB CF R/A ADAPTER		
MATERILA:	PART NO:	SIZE: A4
	ADAPCMCF-048	
FINSH:	DWG NO:	
	ADAPCMCF-048	

REV: A	UNIT mm	SCALE 1=1	QUALITY SYMBOLS
--------	---------	-----------	-----------------

Website: www.bsc-elec.com
Email: bestcreate@bsc-elec.com

RoHS Compliant

REVISIONS			
REV.	DESCRIPTION	DATE	DESIGN



3	Plastic Shell	SH01-**00*	TYPE CF plastic shell,,color: Silver&golden&black	1PCS
2	PVC	H-F*****	PVC 45P,COLOR: WHITE&BLACK	0.005KG
1	PCBA	AP-A004-110-N	TYPE CF TO AP DAI IC OHM, NICKEL PLATED	1PCS
Item	Name	Part Number	Description	Q'TY

Color
White
Green
Black

Bestcreate Technology Limited

TOLERANCES UNLESS OTHERWISE SPECIFIED:

X.	±	0.50	X.'	±	5'
.X	±	0.30	.X'	±	2'
.XX	±	0.10	.XX'	±	1'

DESIGN:	DATE:
I.L	2017.3.1
CHECKED:	DATE:
C.W	2017.3.1
APPROVED:	DATE:
C.W	2017.3.1

TITLE: AP CM TO USB CF R/A ADAPTER		
MATERILA:	PART NO: ADAPCMCF-048	SIZE: A4
FINSH:	DWG NO: ADAPCMCF-048	

REV: A	UNIT mm	SCALE 1=1	QUALITY SYMBOLS
--------	---------	-----------	-----------------

Website:www.bsc-elec.com
Email:bestcreate@bsc-elec.com