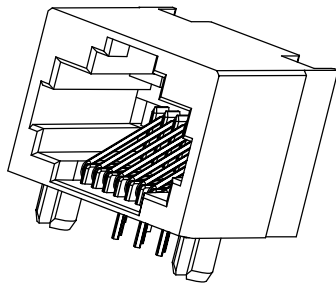
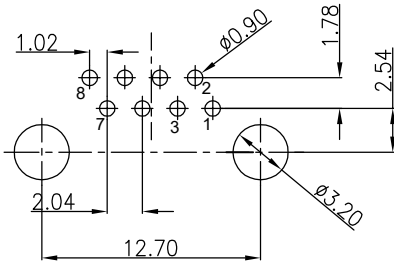
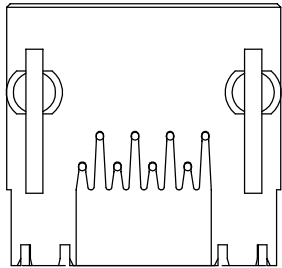
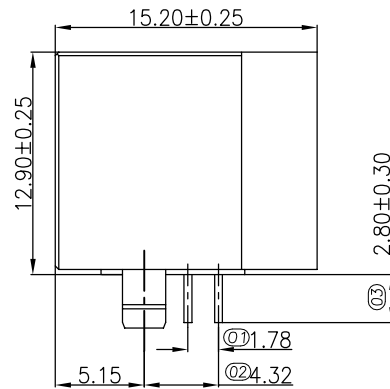
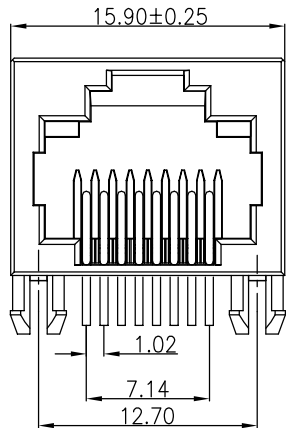


RoHS Compliant

REVISIONS			
REV.	DESCRIPTION	DATE	DESIGN



NOTES

MATERIAL

- 1. HOUSING MATERIAL : GLASS FILLED POLYESTER UL94V-0.
- 2. CONTACT MATERIAL : PHOSPHOR BRONZE  $\varnothing$ 0.46mm.
- 3. PLATING : GOLD FLASH PLATING OVER NICKEL.

ELECTRICAL

- 1. VOLTAGE RATING : 125 VAC RMS.
- 2. CURRENT RATING : 1.5 AMP.
- 3. CONTACT RESISTANCE : 40 MILLIOHMS MAX.
- 4. INSULATION RESISTANCE : 500 MEGOHMS MIN @ 100V DC .
- 5. DIELECTRIC DIELECTRIC RESISTANCE : 500V DC RMS 50Hz. 1MIN.

MECHANICAL

- 1. DURRABILITY : 750 CYCLES MIN.
- 2. MATING/UNMATING FORC : 2.24 KG. F MAX.

ENVIRONMENTAL :

- 1. STORAGE : -40°C ~ +85°C.
- 2. OPERATION : -40°C ~ +85°C.

PART NO. INFORMATION

**RJ01- X 5 X X - 070**

CONTACT PLATED

- 1: G/F      2: AU 3U"
- 3: AU 5U"    4: AU 10U"
- 5: AU 15U"   6: AU 30U"

PACKAGE

- R: TAPE REEL
- T: TRAY

HOUSING:

- A:PBT BLACK      B:PBT YELLOW
- C:PA46 BLACK    D:LCP BLACK
- E:PBT BLUE 285C F:PBT WHITE
- G:PA9T BLACK    H:PA9T YELLOW
- I:PA9T YELLOW   J:PA9T BLUE285C

**Bestcreate Technology Limited**

TOLERANCES UNLESS OTHERWISE SPECIFIED:

.X	± 0.35	X.*	± 3'
.XX	± 0.25	.X*	± 2'
.XXX	± 0.15	.XX*	± 1'

Website: [www.bsc-elec.com](http://www.bsc-elec.com)  
Email: [bestcreate@bsc-elec.com](mailto:bestcreate@bsc-elec.com)

DESIGN: I. L      DATE: 2017. 3. 1

CHECKED: C. W      DATE: 2017. 3. 1

APPROVED: C. W      DATE: 2017. 3. 1

TITLE: RJ45 8P8C FEMALE CONNECTOR

MATERILA:	PART NO: RJ01-X50X-070	SIZE: A4
FINSH:	DWG NO: RJ01-X50X-070	

REV: A	UNIT mm	SCALE 1=1	QUALITY SYMBOLS
--------	---------	-----------	-----------------