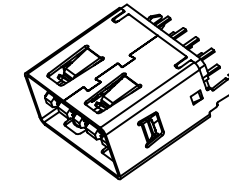
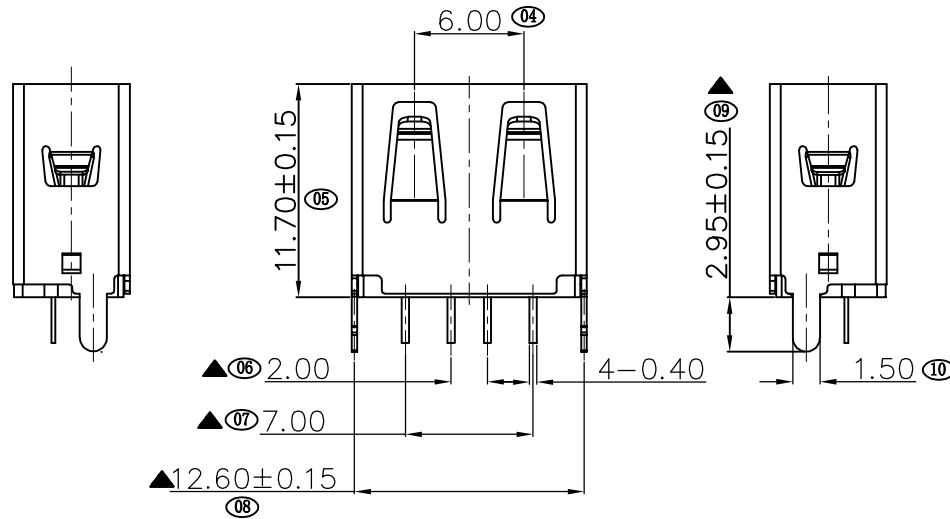
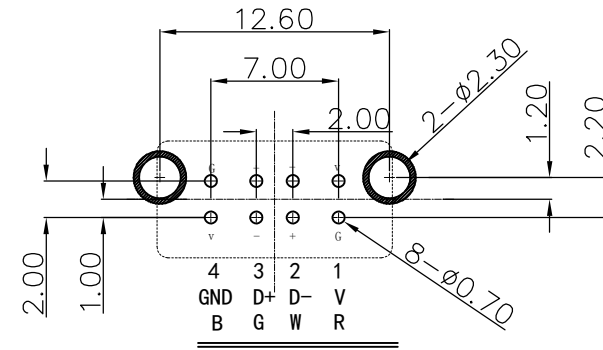
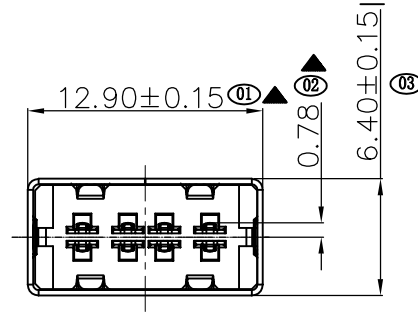


RoHS Compliant

REVISIONS			
REV.	DESCRIPTION	DATE	DESIGN



NOTES:

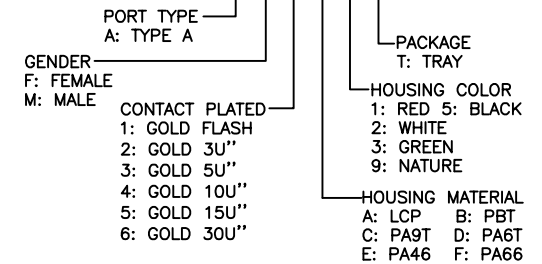
- Electrical specification:
 - 1-1 Current Rating: 1.5A/pin
 - 1-2 Contact Resistance: 30mΩ MAX.
 - 1-3 Withstand voltage : 500 V AC MIN.
 - 1-4 Insulation resistance : 1000 MΩ MIN.
- Mechanical features :
 - 2-1 Insertion force: 35 N(MAX.)
 - 2-2 Withdrawal force : 5 N(min.)
- Lifetime: 1500 Cycles
- ROHS Approved

NOTE (1-1)

P/N	HOUSING			CONTACT			SHELL		
	P/N	INSULATOR	COLOR	P/N	MATERIAL	PLATING	P/N	MATERIAL	PLATED
U06-BF1A2T-021	03.01.06.019	LCP	WHITE	02.01.08.011	C5191	TIN/AU 1U"	02.02.04.014	SPCC	NI
U06-BF1A5T-021	03.01.06.020	LCP	BLACK	02.01.08.011	C5191	TIN/AU 1U"	02.02.04.014	SPCC	NI
U06-BF1B1T-021	03.01.06.021	PBT	RED	02.01.08.011	C5191	TIN/AU 1U"	02.02.04.014	SPCC	NI
U06-BF1B3T-021	03.01.06.022	PBT	GREEN	02.01.08.011	C5191	TIN/AU 1U"	02.02.04.014	SPCC	NI

PART NO. INFORMATION

U04-A F X X X T - 021



Bestcreate Technology Limited

TOLERANCES UNLESS OTHERWISE SPECIFIED:

X.	± 0.20	X.*	± 3'
.X	± 0.10	.X.*	± 2'
.XX	± 0.05	.XX.*	± 1'

DESIGN: I. L DATE: 2017. 3. 1

CHECKED: C. W DATE: 2017. 3. 1

APPROVED: C. W DATE: 2017. 3. 1

TITLE: USB 2.0 A/F REVERSE DIP 180D

MATERIAL: C. W PART NO: U06-AFXXXX-021 SIZE: A4

FINISH: C. W DWG NO: U06-AFXXXX-021

Website: www.bsc-elec.com
Email: bestcreate@bsc-elec.com

REV: A UNIT: mm SCALE: 1=1 QUALITY SYMBOLS: [Symbol]