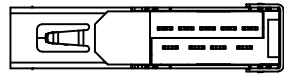
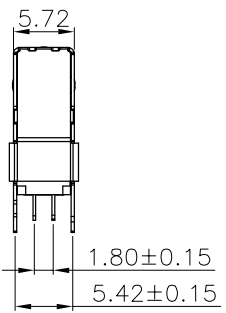
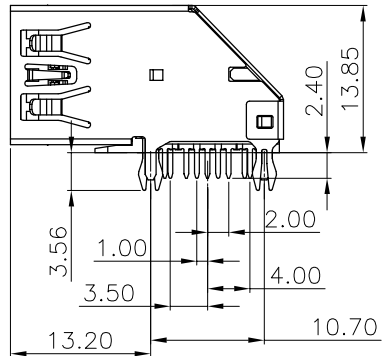
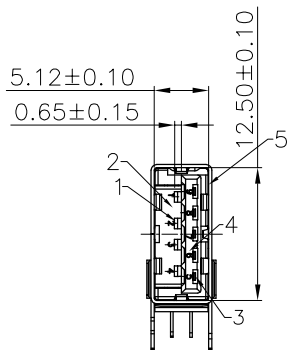
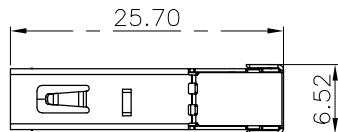
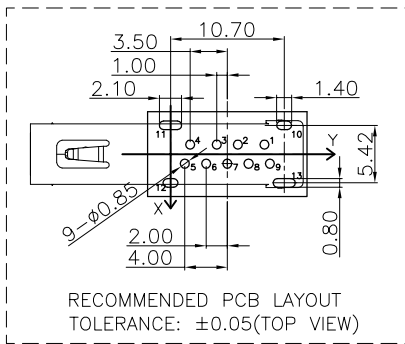
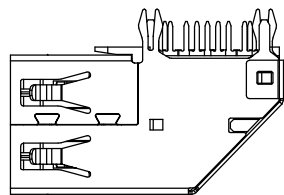


RoHS Compliant

REVISIONS			
REV.	DESCRIPTION	DATE	DESIGN



SPECIFICATIONS:
 Contact current Rating:
 1.8 Amperes for pin1&pin4.
 0.25 Amperes other contacts
 Dielectric Withstanding Voltage:AC 100V(RMS)
 Insulation resistance:100Megohms Minimum.
 Contact Resistance:
 30mΩ Max for pin1&pin4
 50mΩMax for other contacts
 Mechanical Characteristics:
 Mating Force:35 Newtons.Maximum
 Unmating Force:10 Newtons.Minimum.
 Operating Temperature:-40 °C+85 °C

PART NO. INFORMATION

U03-A F X A X X -2001-V3

PORT TYPE
 A: TYPE A

GENDER
 F: FEMALE
 M: MALE

PACKAGE
 T: TRAY R:TAPE REEL

HOUSING COLOR
 2: WHITE
 5: BLACK
 9: BLUE

HOUSING MATERIAL
 A: LCP B: PBT
 C: PA9T D: PA6T
 E: PA46 F: PA66

Pin Number	Signal Name	Pin Number	Signal Name
1	VBUS	5	SSRX-
2	D-	6	SSRX+
3	D+	7	GND
4	GND	8	SSTX-
Shell	Shield	9	SSRT+

ITEM	PART NAME	Material	Q'TY	REMARK
1	4P Semi-manufactured Goods	Housing LCP&PBT	1	Black &Blue UL94V-0
2		Contact COPPER ALLOY	4	T=0.25 Plating Gld/Tin
3	5P Semi-manufactured Goods	Housing LCP&PBT	1	Black &Blue UL94V-0
4		Contact COPPER ALLOY	5	T=0.25 Plating Gld/Tin
5	Shell	Stainless Steel	1	T=0.3

Bestcreate Technology Limited

TOLERANCES UNLESS OTHERWISE SPECIFIED:
 X. ± 0.30 X.* ± 3*
 .X ± 0.20 .X* ± 2*
 .XX ± 0.15 .XX* ± 1*

Website: www.bsc-elec.com
 E-mail: bestcreate@bsc-elec.com

DESIGN: I. L DATE: 2017. 3. 1
 CHECKED: C. W DATE: 2017. 3. 1
 APPROVED: C. W DATE: 2017. 3. 1

TITLE: REVERSE TYPE USB3.0AF SIDE ENTRY CONNECTOR 90D WITH FLANGELESS
 MATERILA: PART NO: U03-AFXAXX-2001-V3 SIZE: A4
 FINSH: DWG NO: U03-AFXAXX-2001-V3 SHEET: 1 OF 1

REV: A	UNIT mm	SCALE 1=1	QUALITY SYMBOLS
--------	---------	-----------	-----------------