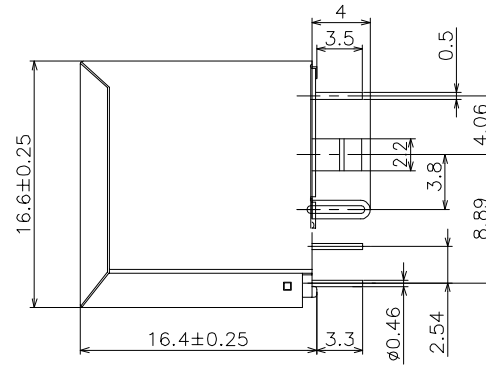
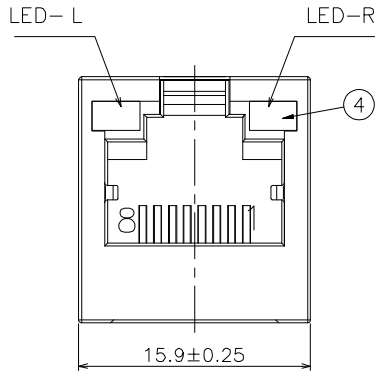
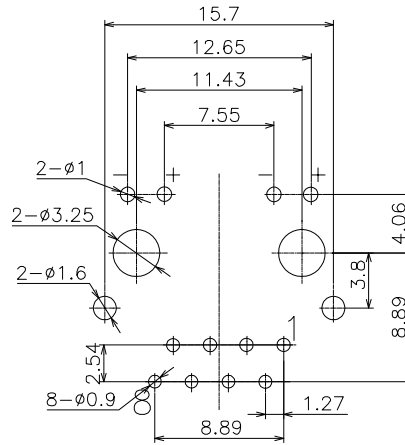
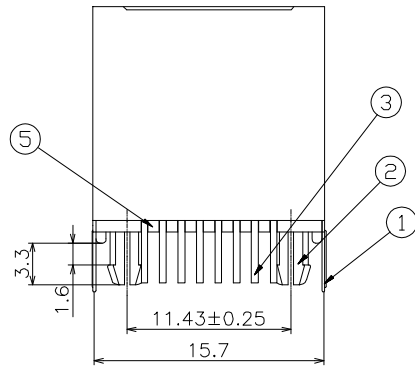


RoHS Compliant

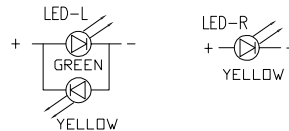
REVISIONS			
REV.	DESCRIPTION	DATE	DESIGN



(SPECIFICATION):
 (TEMPERATURE RANGE):-40~+70 °C
 (VOLTAGE RATING):125V
 (CURRENT RATING):1.5A
 (CONTACT RESISTANCE):≤30mΩ
 (INSULATION RESISTANCE):≥500MΩ
 (DIELECTRIC STRENGTH):1000V AC/<50HZ>/Min
 (MATING AND UNMATING FORCE):3~20N
 (DURABILITY):750 CYCLES MIN



PCB LAYOUT
RECOMMENDED



PART NO. INFORMATION

RJ01- X 5 X X - 005

CONTACT PLATED

- 1: G/F 2: AU 3U"
- 3: AU 5U" 4: AU 10U"
- 5: AU 15U" 6: AU 30U"

PACKAGE
R: TAPE REEL
T: TRAY

LED-L LED-R
A: GREEN YELLOW
B: YELLOW GREEN
C: GREEN/ORANGE GREEN
D: GREEN/YELLOW YELLOW

Bestcreate Technology Limited

TOLERANCES UNLESS OTHERWISE SPECIFIED:

.X	± 0.30	X.*	± 3"
.XX	± 0.20	.X*	± 2"
.XXX	± 0.10	.XX*	± 1"

Website: www.bsc-elec.com
 Email: bestcreate@bsc-elec.com

DESIGN: I.L DATE: 2017.3.1

CHECKED: C.W DATE: 2017.3.1

APPROVED: C.W DATE: 2017.3.1

TITLE: Reverse RJ45 8P8C DIP Type, H=5.33

MATERILA: PART NO: RJ01-X50X-005 SIZE: A4

FINSH: DWG NO: RJ01-X50X-005

REV: A	UNIT mm	SCALE 1=1	QUALITY SYMBOLS
--------	---------	-----------	-----------------