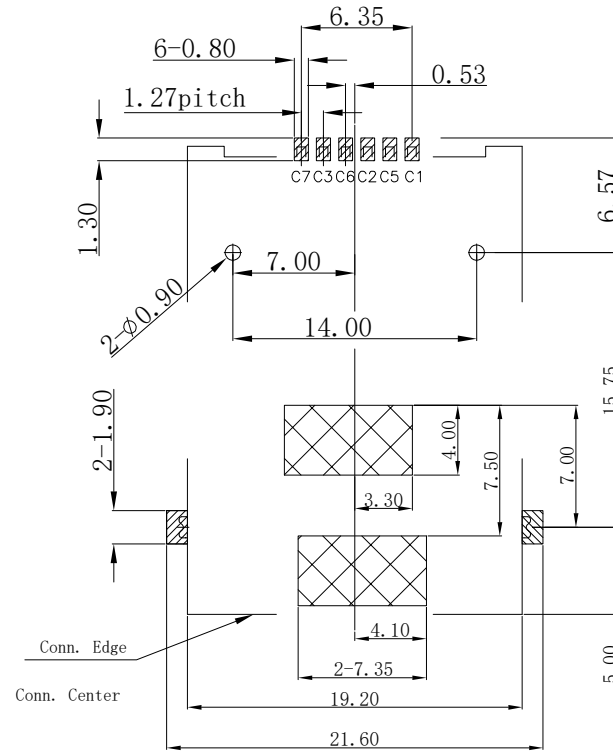
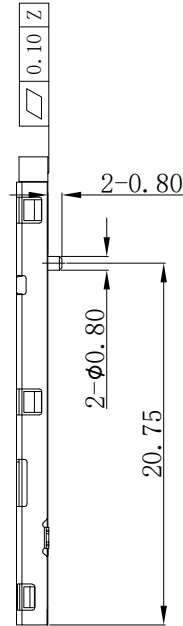
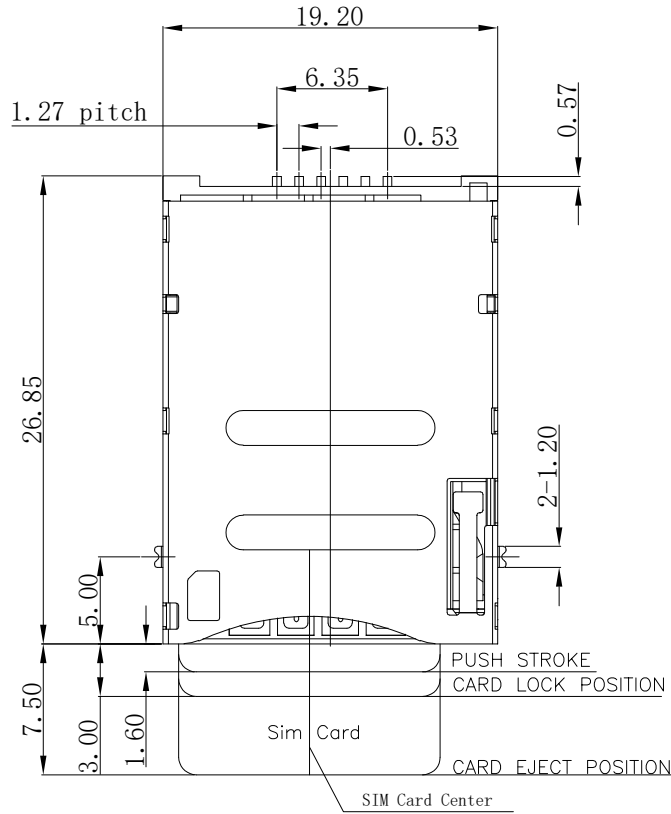
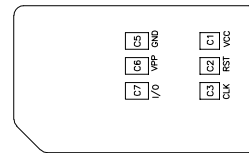
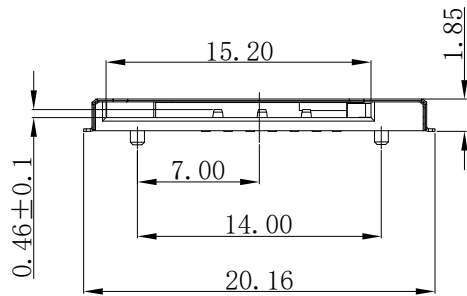


RoHS Compliant

REVISIONS			
REV.	DESCRIPTION	DATE	DESIGN



- Electrical Characteristics:
Current Rating:1.5A.
Withstanding Voltage:AC500V r.m.s.
Insulation Resistance:1000Megohms Minimum at DC 500V
Contact Resistance:100Miliohms Maximum.
- Mechanical Characteristics:
Mating Cycles:3000 Insertions.
- Environmentl:
Operating Temperature:-25°To+70°
- Material:
1.Housing:HI-Temp plastic UL 94V-0 Rated.
2.Contact:Copper Alloy.
3.Shell:SUS.
- Finish :
1u" Gold plated on conatct area,1u"Min Au plated on solder tails, Base Nickel :30u"Min
- Packing:
Number of connectors:750Pcs/REEL
- PART NO.



SIM 示意图
芯片面朝下视图

RECOMMENDED PCB LAYOUT
GENERAL TOLERANCE ±0.05

- PAD AREA
- FORBIDDEN AREA

PART NO. INFORMATION

MISIM - 06 X X 5 R - 001

- 06:6P
- CONTACT PLATED
- 1: GOLD FLASH
- 2: GOLD 3U"
- 3: GOLD 5U"
- 4: GOLD 10U"
- 5: GOLD 15U"
- 6: GOLD 30U"
- PACKAGE
- R: TAPE REEL
- HOUSING COLOR
- 2: WHITE
- 5: BLACK
- 9: NATURE
- HOUSING MATERIAL
- A: LCP B: PBT
- C: PA9T D: PA6T
- E: PA46 F: PA66

Bestcreate Technology Limited

TOLERANCES UNLESS OTHERWISE SPECIFIED:

.X	± 0.35	X'	± 5'
.XX	± 0.25	.X'	± 2'
.XXX	± 0.15	.XX'	± 1'

Website:www.bsc-elec.com
Email:bestcreate@bsc-elec.com

DESIGN: DATE:

I. L 2017. 3. 1

CHECKED: DATE:

C. W 2017. 3. 1

APPROVED: DATE:

C. W 2017. 3. 1

TITLE: SIM CARD PUSH PUSH 6P
REGULAR WAY TYPE2

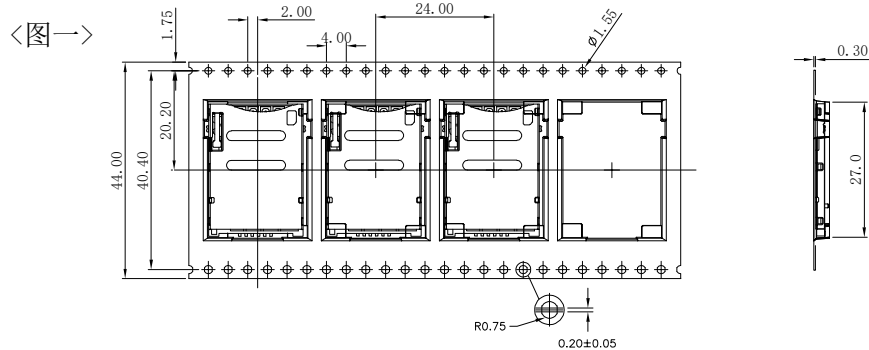
MATERILA: PART NO: MISIM-06XX5R-001 SIZE: A4

FINSH: DWG NO: MISIM-06XX5R-001 1 OF 2

REV: A	UNIT mm	SCALE 1=1	QUALITY SYMBOLS
--------	---------	-----------	-----------------

RoHS Compliant

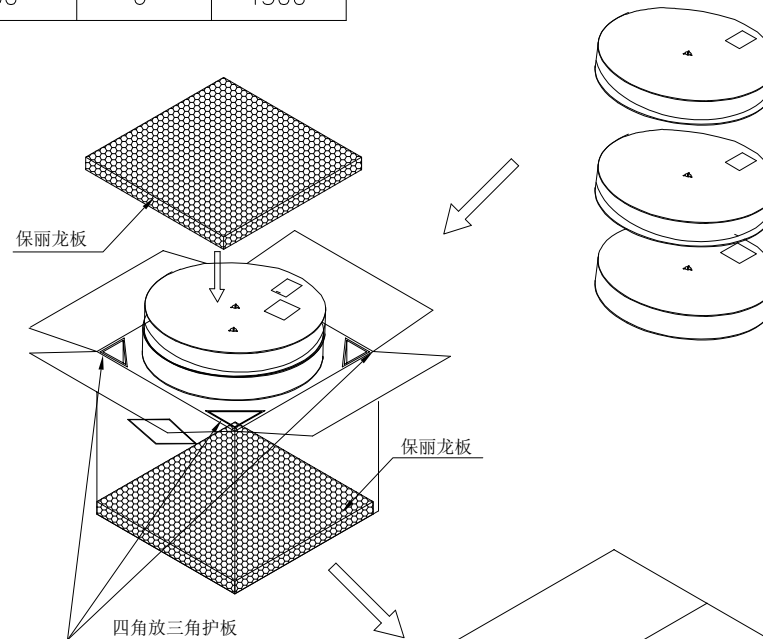
REVISIONS			
REV.	DESCRIPTION	DATE	DESIGN



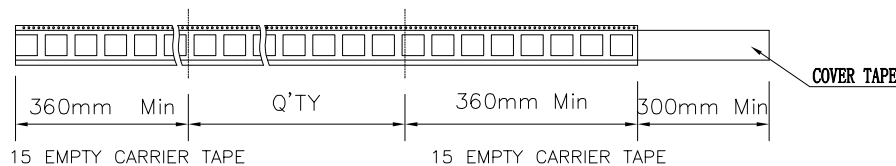
<TABLE 1> PACKAGING QUANTITY

QTY/REEL	REEL/CARTON	QTY/CARTON
750	6	4500

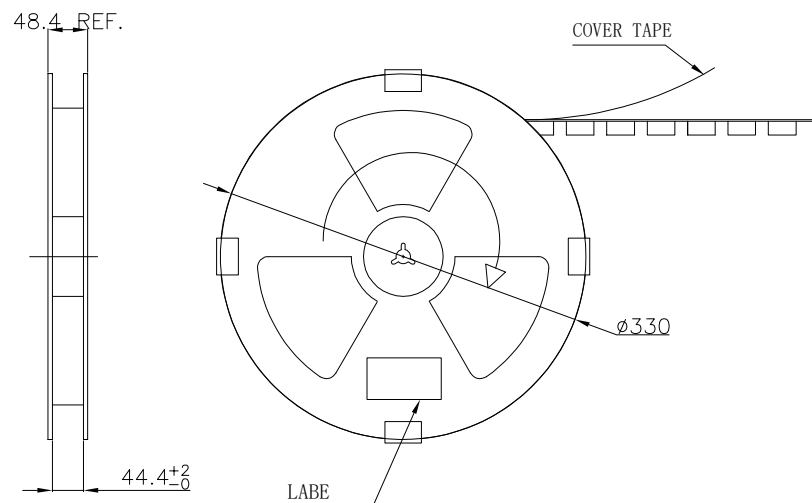
<图三>



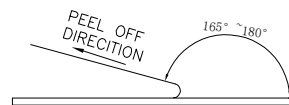
放料方向



<图二>

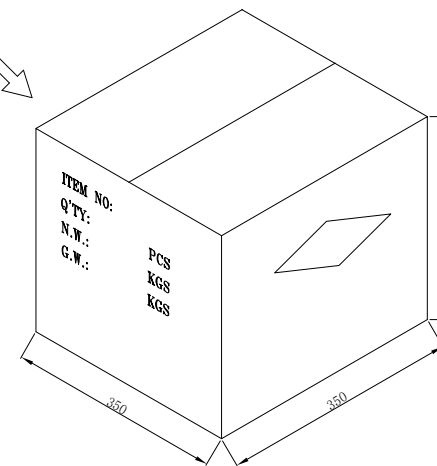


COVER TAPE PEELING FORCE: 50gf~150gf



NOTE:

- 依<图一>示放置产品于下载中, 每穴放置1PCS产品.
- 包装机包好后, 在REEL的个等分点贴上胶带, 以防止REEL张开, 每REEL贴1PCS标签, 如<图二>示
- 包装数量见如<TABLE 1>示
- 包装成箱见如<图三>示
箱底放保丽龙板, 再依次将指定数量的卷装产品放入箱内, 四角分别放入四个三角护板, 最上层再放上保丽龙板.
- 封箱, 在封好的纸箱上按客户要求写上料号, 数量等



Bestcreate Technology Limited

TOLERANCES UNLESS OTHERWISE SPECIFIED:

.X	± 0.35	.X'	$\pm 5'$
.XX	± 0.25	.X'	$\pm 2'$
.XXX	± 0.15	.X'	$\pm 1'$

Website: www.bsc-elec.com
Email: bestcreate@bsc-elec.com

DESIGN: I. L
DATE: 2017. 3. 1
CHECKED: C. W
DATE: 2017. 3. 1
APPROVED: C. W
DATE: 2017. 3. 1

TITLE: SIM CARD PUSH PUSH 6P
REGULAR WAY TYPE2

MATERILA:	PART NO: MISIM-06XX5R-001	SIZE: A4
FINSH:	DWG NO: MISIM-06XX5R-001	2 OF 2

REV: A	UNIT: mm	SCALE: 1=1	QUALITY SYMBOLS
--------	----------	------------	-----------------