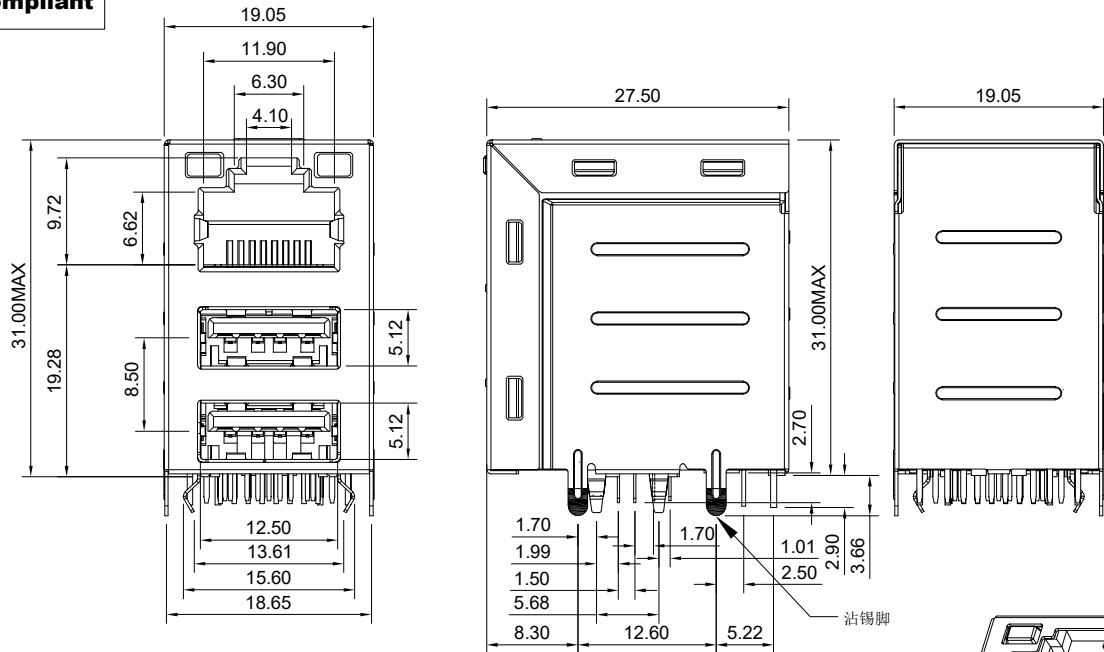


RoHS Compliant

REVISIONS			
REV.	DESCRIPTION	DATE	DESIGN

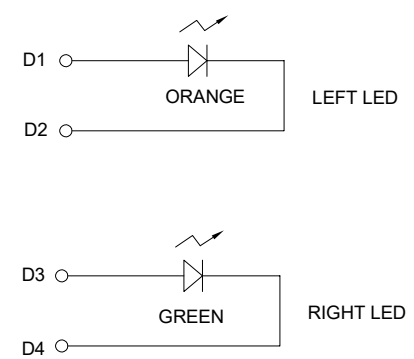
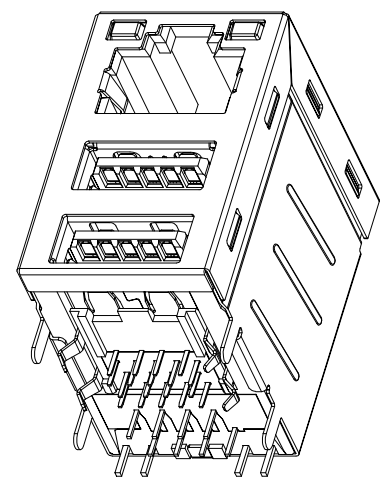
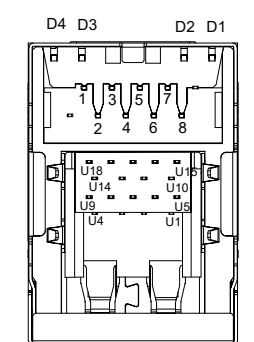
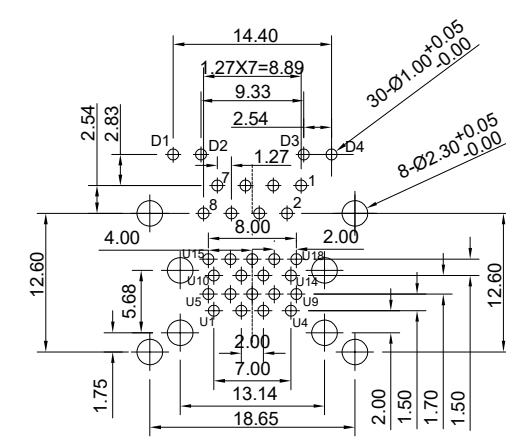


**NOTE:**  
**1.MATERIAL:**  
 Housing: High temp. Thermo plastics,UL94V-0.  
 Contact:Copper Alloy.  
 Shell: SUS.

**2.Electrical performance:**  
 Voltage Current Rating:1.5 AMP. 30V AC  
 Insulation Resistance:1000M Ω Min.  
 Contact Resistance:30 m Ω Max.  
 Dielectric Withstanding Voltage:500V AC

**3.Temperature Range:-45℃ to +85℃**

**4.FINISH:**  
 Contact:Tin Plating 100u" on solder tail area,  
 RJ45 Gold plating Flash on contact area.  
 USB Gold plating Flash on contact area,  
 30u" min Ni underplating over all.



**PART NO. INFORMATION**

**RJY3001- X 5 0 X - 002**

CONTACT PLATED  
 1: G/F 2: AU 3U"  
 3: AU 6U" 4: AU 15U"  
 5: AU 30U"  
 PACKAGE  
 R: TAPE REEL  
 T: TRAY

RECOMMENDED P.C.B. PATTERN LAYOUT  
 TOP VIEW (ALL TOLERANCE ARE:0.05mm)

BOTTOM VIEW

**Bestcreate Technology Limited**

TOLERANCES UNLESS OTHERWISE SPECIFIED:		DESIGN: I. L	DATE:	TITLE: RJ45+DUAL USB3.0 WITH LEDL-ORANGE R-GREEN	
.X ± 0.35	X.' ± 3'	CHECKED:	DATE:	MATERIAL:	PART NO: RJY3001-X50X-002
.XX ± 0.25	.X' ± 2'	C. W	2017. 3. 1	FINSH:	DWG NO: RJY3001-X50X-002
.XXX ± 0.15	.X' ± 1'	APPROVED:	DATE:	SIZE: A4	
Website:www.bsc-elec.com		C. W	2017. 3. 1		
Email:bestcreate@bsc-elec.com					

REV: A	UNIT mm	SCALE 1=1	QUALITY SYMBOLS
--------	---------	-----------	-----------------