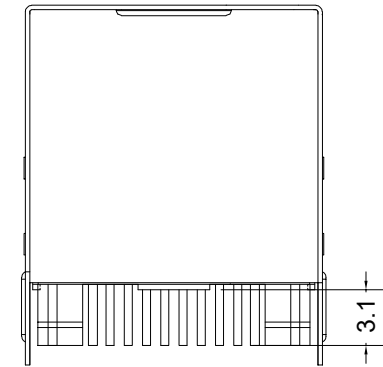
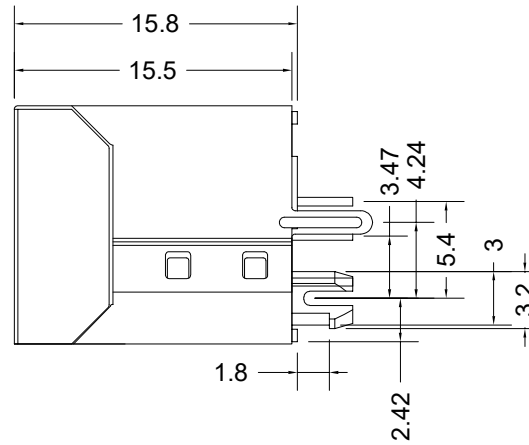
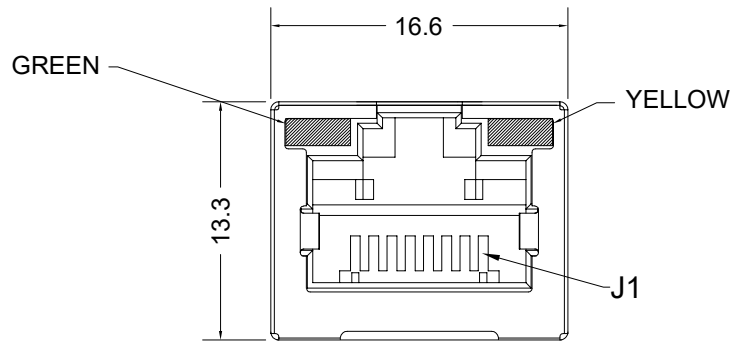


RoHS Compliant

REVISIONS			
REV.	DESCRIPTION	DATE	DESIGN



Notes:

ELECTRICAL:

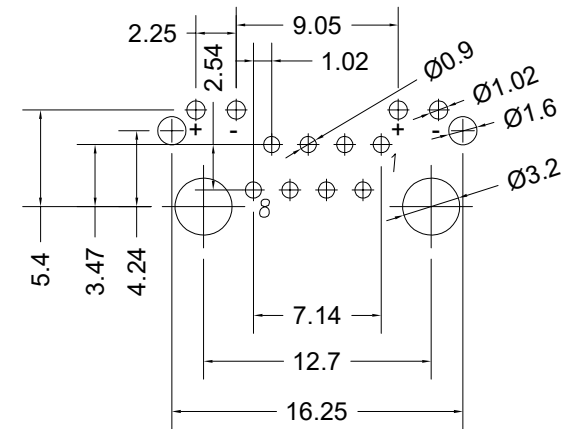
- 1.VOLTAGE RATING :125 VAC RMS
- 2.CURRENT RATING :1.5 AMP
- 3.CONTACT RESISTANCE :30 OHMS MAX
- 4.INSULATION RESISTANCE : 500 OHMS MIN @500 V DC
- 5.DIELECTRIC STRENGTH : 1000 V AC RMS 50Hz or 60Hz 1S

MECHANICAL:

- 1.HOUSING & INSERT MATERIAL : PBT UL94-0
- 2.CONTACT MATERIAL :DIAMETER 0.45MM PHOSPHOR BRONZE GOLD PLATING OVER NICKEL
- 3.SHIELD : 0.2~0.25MM THICKNESS BRASS WITH NICKEL PLATED
- 4.MATING/UNMATING FORCE : 2.2KG .F MAX
- 5.RETENTION STRENGTH : 7.7KG .F NUB BETWEEN JACK AND PLUG
- 6.OPERATING LIFE :600 CYCLES MIN

ENVIRONMENTAL :

- 1.STORAGE : -40°C ~ +85°C RELATIVE HUMIDITY <70%
- 2.OPERATION : 0°C ~+70°C



PART NO. INFORMATION

RJ01- X 2 C X - 077

CONTACT PLATED

- 1: G/F 2: AU 3U"
- 3: AU 5U" 4: AU 10U"
- 5: AU 15U" 6: AU 30U"

PACKAGE

- R: TAPE REEL
- T: TRAY

LED COLOR:

- 1:L-YELLOW R-GREEN
- 2:L-GREEN R-YELLOW

HOUSING:

- A:LCP BLACK
- C:PBT BLACK

B:PA9T BLACK

SUGGESTED PCB LAYOUT (TOP VIEW)

Bestcreate Technology Limited

TOLERANCES UNLESS OTHERWISE SPECIFIED:

.X	± 0.35	X.*	± 3'
.XX	± 0.25	.X.*	± 2'
.XXX	± 0.15	.XX.*	± 1'

Website:www.bsc-elec.com
Email:bestcreate@bsc-elec.com

DESIGN:	DATE:
I. L	2017. 3. 1
CHECKED:	DATE:
C. W	2017. 3. 1
APPROVED:	DATE:
C. W	2017. 3. 1

TITLE: **RJ45 WITHOUT TRANSFORMER, SINGLE PORT, SHIELD WITH LEDS**

MATERILA:	PART NO:	SIZE:
FINSH:	RJ01-X2CX-077	A4
	DWG NO:	
	RJ01-X2CX-077	

REV: A	UNIT mm	SCALE 1=1	QUALITY SYMBOLS
--------	---------	-----------	-----------------