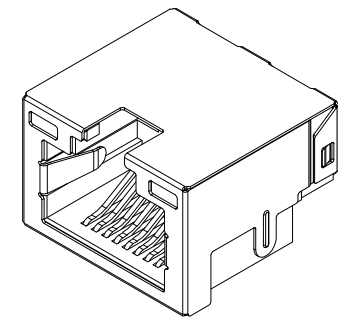
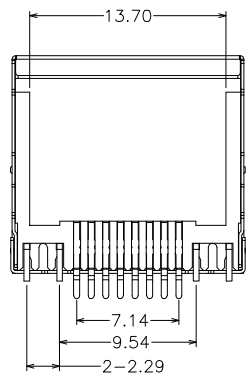


RoHS Compliant

| REVISIONS | | | |
|-----------|-------------|------|--------|
| REV. | DESCRIPTION | DATE | DESIGN |
| | | | |



SPECIFICATION NOTES:

ELECTRICAL:

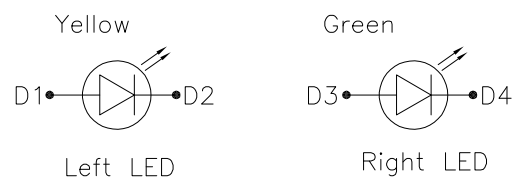
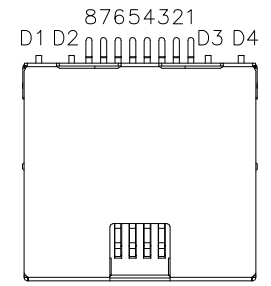
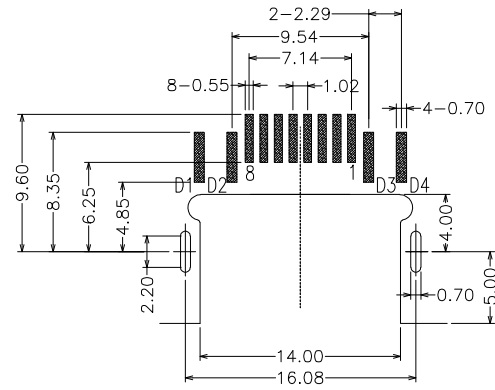
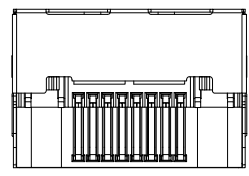
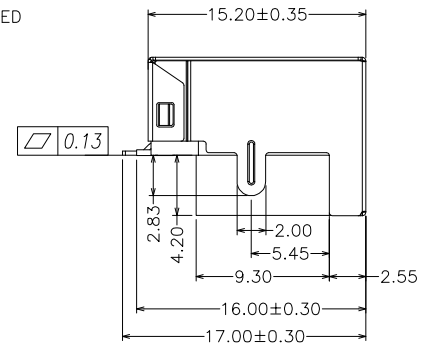
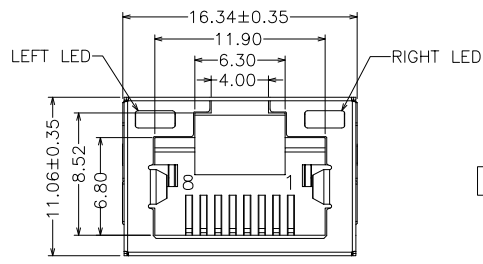
- VOLTAGE RATING: 125 VAC RMS
- CURRENT RATING: 1.5 AMP
- CONTACT RESISTANCE: 40mΩ MAX.
- INSULATION RESISTANCE: 1000MΩ MIN. AT500V DC.
- DIELECTRIC STRENGTH: 1000 V AC OR 1500V DC RMS AT 0.5mA 50 Hz / 60 Hz FOR 1MINUTE

MECHANICAL:

- HOUSING:LCP BLACK, UL 94V-0
- CONTACT:PHOSPHOR BRONZE T=0.30MM
- PLATING:FU GOLD PLATING AT CONTACT AREA, MATTE TIN AT TAIL 100U MIN., NICKEL 30U MIN. OVER ALL.
- SHELL:BRASS T=0.20
- OPERATING LIFE:750 CYCLES MIN.
- MATING/UNMATING FORCE: 30N/3.06KgF MAX.
- RETENTION STRENGTH:50N OR 30N MIN.FOR 60S±5S

ENVIRONMENTAL:

- STORAGE:-40°C TO +85°C RELATIVE HUMIDITY<80%
- GUARANTEE PERIOD:12 MONTHS
- OPERATION: -40°C TO +85°C
- MANUAL SOLDERING PARAMETERS:24H IR TEMPERATURE: 255±5°C 5~10 SECONDS.



PART NO. INFORMATION

RJ01- X 1 A X - 085

CONTACT PLATED

- 1: G/F
- 2: AU 3U"
- 3: AU 5U"
- 4: AU 10U"
- 5: AU 15U"
- 6: AU 30U"

- PACKAGE
- R: TAPE REEL
 - T: TRAY

LED COLOR:

- 1:L-YELLOW R-GREEN
- 2:L-GREEN R-YELLOW

HOUSING:

- A:LCP BLACK
- C:PBT BLACK
- B:PA9T BLACK

Recommend PCB Layout
(Jack Top View)
Tolerance: ±0.05mm

Bestcreate Technology Limited

TOLERANCES UNLESS OTHERWISE SPECIFIED:

| | | | |
|------|--------|------|------|
| .X | ± 0.35 | .X* | ± 3* |
| .XX | ± 0.25 | .X* | ± 2* |
| .XXX | ± 0.15 | .XX* | ± 1* |

Website: www.bsc-elec.com
Email: bestcreate@bsc-elec.com

| | |
|------------|-----------------|
| DESIGN: | DATE: |
| I.L | 2017.3.1 |
| CHECKED: | DATE: |
| C.W | 2017.3.1 |
| APPROVED: | DATE: |
| C.W | 2017.3.1 |

| | | |
|---|------------------------|----------|
| TITLE: MID MOUNT 4.2MM RJ45 CONNECTOR WITH LEDs | | |
| MATERIAL: | PART NO: RJ01-X1AX-085 | SIZE: A4 |
| FINISH: | DWG NO: RJ01-X1AX-085 | |

| | | | |
|--------|----------|------------|------------------|
| REV: A | UNIT: mm | SCALE: 1=1 | QUALITY SYMBOLS: |
|--------|----------|------------|------------------|