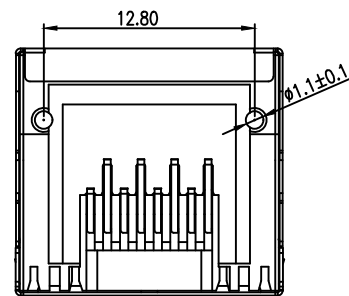
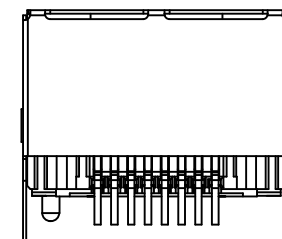
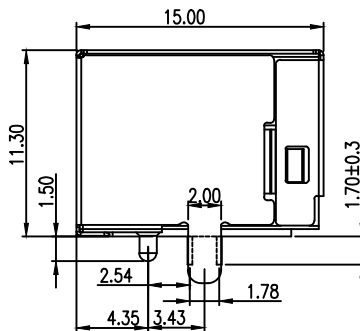
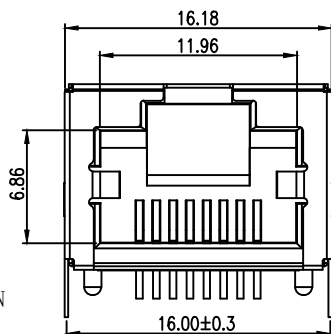
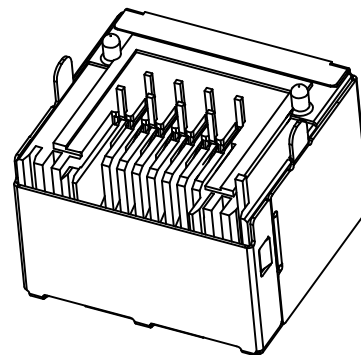
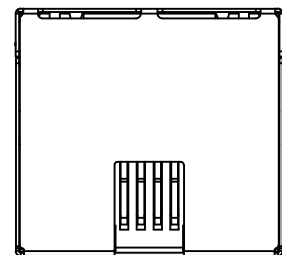
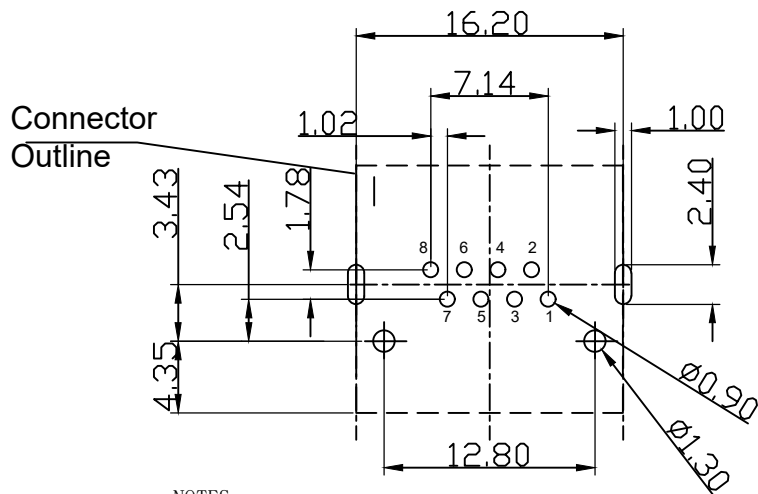


RoHS Compliant

REVISIONS			
REV.	DESCRIPTION	DATE	DESIGN



NOTES

MATERIAL

- 1. HOUSING MATERIAL : PA9T BLACK UL94V-0.
- 2. CONTACT MATERIAL : PHOSPHOR BRONZE T=0.3mm.
- 3. PLATING : GOLD PLATING ON CONTACT AREA, AND TIN PLATING ON SOLDER AREA OVER NICKEL.
- 4. SHIELD : 0.20mm THICKNESS COPPER ALLOY WITH NICKEL PLATED.

ELECTRICAL

- 1. VOLTAGE RATING : 125 VAC RMS.
- 2. CURRENT RATING : 1.5 AMP.
- 3. CONTACT RESISTANCE : 40 MILLIOHMS MAX.
- 4. INSULATION RESISTANCE : 500 MEGOHMS MIN @ 100V DC .
- 5. DIELECTRIC DIELECTRIC RESISTANCE : 500V DC RMS 50Hz. 1MIN.

MECHANICAL

- 1. DURRABILITY : 750 CYCLES MIN.
  - 2. MATING/UNMATING FORC: 2.24 KG. F MAX.
- ENVIRONMENTAL:
- 1. OPERATION : -40°C~+85°C.
  - 2. STORAGE : -40°C~+85°C.

PART NO. INFORMATION

**RJ01- X 5 4 X - 052**

CONTACT PLATED  
 1: G/F    2: AU 3U''  
 3: AU 6U''

PACKAGE  
 R: TAPE REEL  
 T: TRAY

HOUSING:  
 1:LCP BLACK  
 2.PBT BLACK  
 3.PA46 BLACK  
 4.PA9T BLACK

**Bestcreate Technology Limited**

TOLERANCES UNLESS OTHERWISE SPECIFIED:

.X	± 0.35	X.*	± 3'
.XX	± 0.25	.X*	± 2'
.XXX	± 0.15	.XX*	± 1'

Website: [www.bsc-elec.com](http://www.bsc-elec.com)  
 Email: [bestcreate@bsc-elec.com](mailto:bestcreate@bsc-elec.com)

DESIGN:	DATE:
I. L	2017. 3. 1
CHECKED:	DATE:
C. W	2017. 3. 1
APPROVED:	DATE:
C. W	2017. 3. 1

TITLE:		
RJ45 8P8C FEMALE CONNECTOR TAB UP		
MATERILA:	PART NO:	SIZE:
	RJ01-X54X-052	A4
FINSH:	DWG NO:	
	RJ01-X54X-052	

REV:	UNIT	SCALE	QUALITY SYMBOLS
A	mm	1=1	