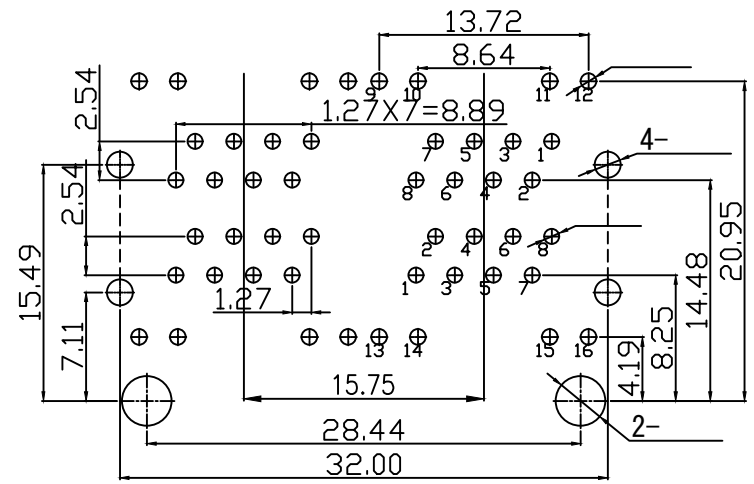
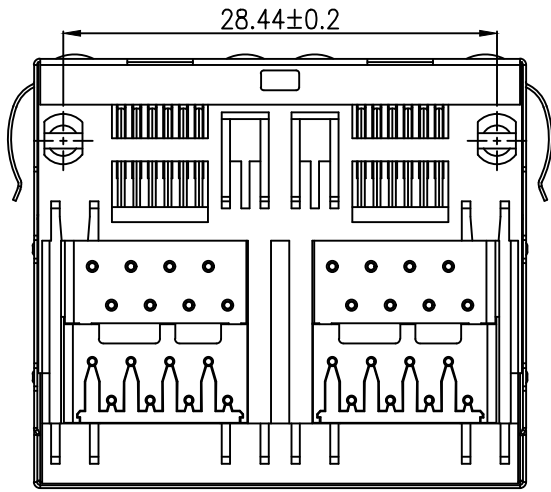
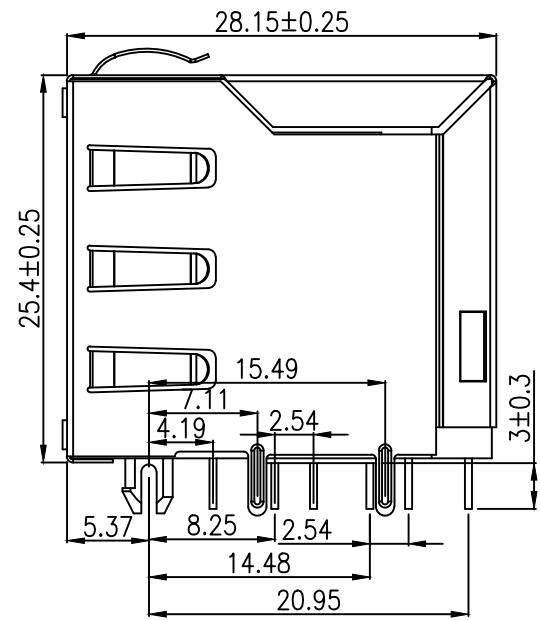
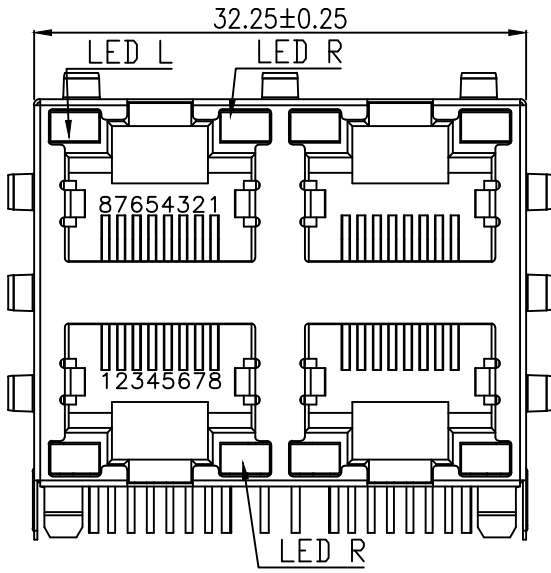


RoHS Compliant

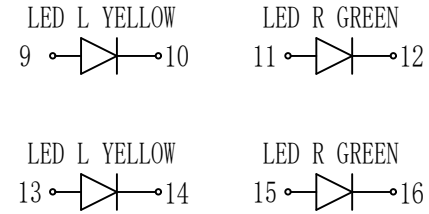
REVISIONS			
REV.	DESCRIPTION	DATE	DESIGN



PCBLAYOUT  
TOL:±0.05

NOTES

- MATERIAL
- 1. HOUSING MATERIAL : PBT UL94V-0.
  - 2. CONTACT MATERIAL : PHOSPHOR BRONZE Ø. 46mm.
  - 3. PLATING : GOLD FLASH PLATING OVER NICKEL.
  - 4. SHIELD : 0.20mm THICKNESS COPPER ALLOY WITH NICKEL PLATED.
- ELECTRICAL
- 1. VOLTAGE RATING : 125 VAC RMS.
  - 2. CURRENT RATING : 1.5 AMP.
  - 3. CONTACT RESISTANCE : 40 MILLIOHMS MAX.
  - 4. INSULATION RESISTANCE : 500 MEGOHMS MIN @ 100V DC .
  - 5. DIELECTRIC DIELECTRIC RESISTANCE : 500V DC RMS 50Hz. 1MIN.
- MECHANICAL
- 1. DURRABILITY : 750 CYCLES MIN.
  - 2. MATING/UNMATING FORCE : 2.24 KG. F MAX.
- ENVIRONMENTAL:
- 1. STORAGE : -40°C~+85°C.
  - 2. OPERATION : -40°C~+85°C.



PART NO. INFORMATION

**RJ01-X 5 2 X - 056**

CONTACT PLATED  
1: G/F      2: AU 3U"  
3: AU 6U"

PACKAGE  
R: TAPE REEL  
T: TRAY

HOUSING:  
1:LCP BLACK  
2.PBT BLACK  
3.PA46 BLACK  
4.PA9T BLACK

**Bestcreate Technology Limited**

TOLERANCES UNLESS OTHERWISE SPECIFIED:

.X	± 0.35	X.*	± 3"
.XX	± 0.25	.X.*	± 2"
.XXX	± 0.15	.XX.*	± 1"

Website: [www.bsc-elec.com](http://www.bsc-elec.com)  
Email: [bestcreate@bsc-elec.com](mailto:bestcreate@bsc-elec.com)

DESIGN:	DATE:	TITLE:	
I. L	2017. 3. 1	5921 2x2 RJ45 CONNECTOR DIP, WITH LED P=15.75	
CHECKED:	DATE:	MATERILA:	PART NO:
C. W	2017. 3. 1		RJ01-X52X-056
APPROVED:	DATE:	FINSH:	DWG NO:
C. W	2017. 3. 1		RJ01-X52X-056
			SIZE: A4

REV:	UNIT	SCALE	QUALITY SYMBOLS
A	mm	1=1	