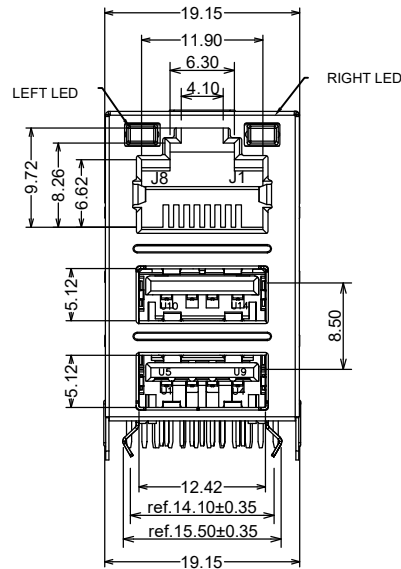


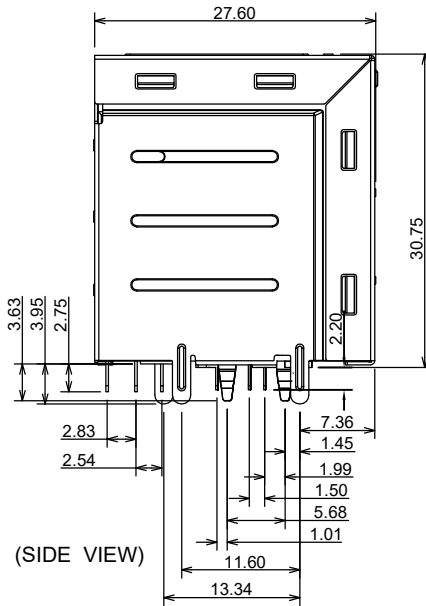
RoHS Compliant

1.Mechanical:

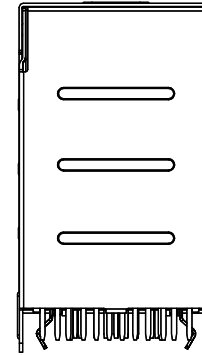
REVISIONS			
REV.	DESCRIPTION	DATE	DESIGN



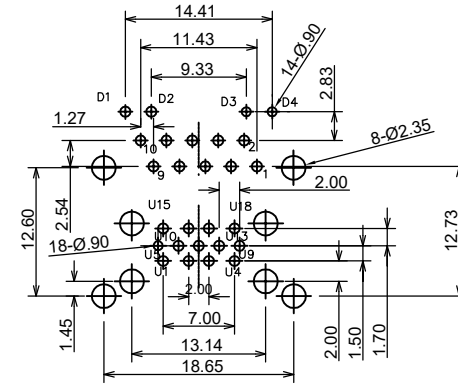
(FRONT VIEW)



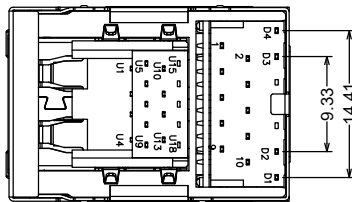
(SIDE VIEW)



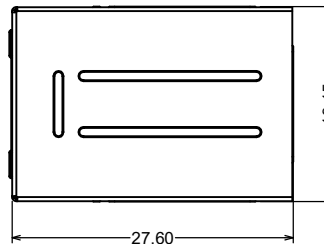
(REAR VIEW)



RECOMMENDED P.C.B. PATTERN LAYOUT
TOP VIEW (ALL TOLERANCE ARE:0.05mm)



(BOTTOM VIEW)



(TOP VIEW)

DUAL USB UPPER 2.0 LOWER 3.0

PART NO. INFORMATION

U3020RJ01- X 5 0 X - 010

CONTACT PLATED
1: G/F 2: AU 3U"
3: AU 6U" 4: AU 15U"
5: AU 30U"

PACKAGE
R: TAPE REEL
T: TRAY

Bestcreate Technology Limited

TOLERANCES UNLESS OTHERWISE SPECIFIED:

.X	± 0.35	X'	± 3'
.XX	± 0.25	.X'	± 2'
.XXX	± 0.15	.XX'	± 1'

Website: www.bsc-elec.com
Email: bestcreate@bsc-elec.com

DESIGN:	DATE:
I. L	2017. 3. 1
CHECKED:	DATE:
C. W	2017. 3. 1
APPROVED:	DATE:
C. W	2017. 3. 1

TITLE: RJ34 Connector, W/2-USB (Upper2.0 Lower3.0) GIGA BASE-T, W/LEDS		
MATERILA:	PART NO: U302RJ01-X50X-010	SIZE: A4
FINSH:	DWG NO: U302RJ01-X50X-010	1of2

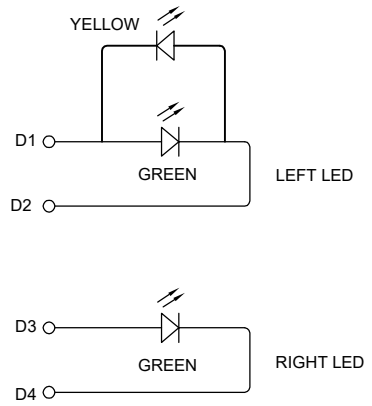
REV: A	UNIT mm	SCALE 1=1	QUALITY SYMBOLS
-----------	------------	--------------	-----------------

RoHS Compliant

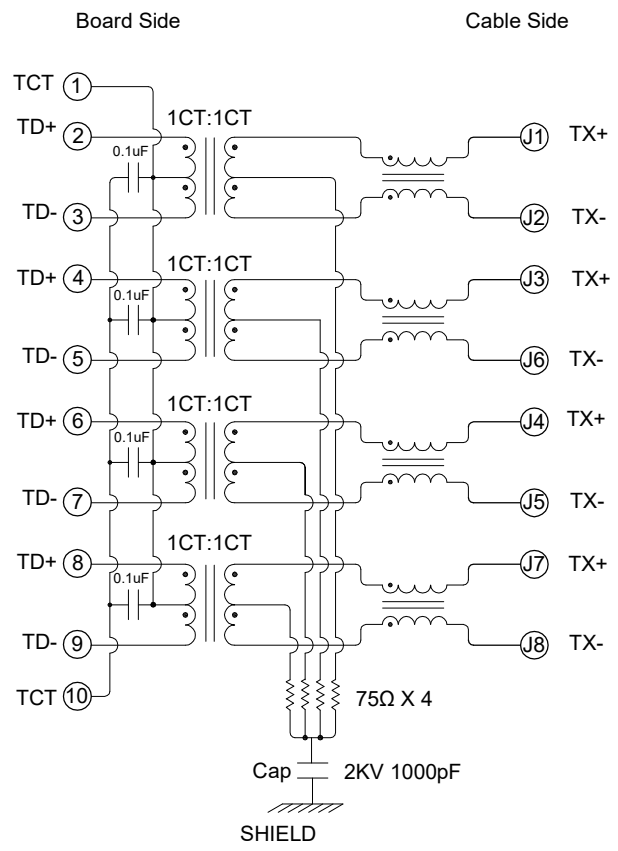
REVISIONS			
REV.	DESCRIPTION	DATE	DESIGN

2. Notes :

- 1.Meets for exceeds IEEE802.3 standards including 350uH Min OCL with 8mA DC
- 2.High performance for EMI suppression. Crosstalk. Return Loss, Insertion Loss and consistent Electrical
- 3.Minimize PCB space and Simplify PCB Layout
- 4.Materials:
 - 4.1.Housing: Thermo plastics, ,BK,UL94V-0
 - 4.2.Insert Base : Thermo plastics..BK.UL94V-0
 - 4.3.Contact:Copper Alloy
 - 4.4.Shell: SUS,T=0.25mm,Pre-soldering or SPCC ,T=0.25mm, Nickel plating overall.
 - 4.5. PCB PIN: Tin Plating 80u" on solder tail area,
 - 4.6.RJ45 plating 6'u gold on contact area. USB plating flash gold on contact area.



3.Schematic :



4.Eletrical Specification @25°C :

Item	Specification	Test Condition
Application	1000 Base-T	
OCL	350uH Min	100KHz 0.1V 8mA DC Bias @ 0°C to 70°C
Leakage Inductance	0.4uH Max	100KHz 0.1V
DC Resistance	1.2 Ω Max	
Turn Ratio	1CT:1CT	100KHz 0.1V
Insertion Loss	-1.0dB Min	0.5-100 MHz
	-16dB Max	0.5-30 MHz
Return Loss	-12+20log(f/80)dB Max	30.1-80 MHz
	-10dB Max	80.1-100 MHz
Cross Talk	-35dB Max	0.5-40 MHz
	-33+20log(f/50)dB Max	40.1-100 MHz
CMRR	-30dB Max	0.5-100 MHz
Hi-pot Test(4pairs)	1mA Max	2250VDC
Operating Temperature	-40°C ~ +85°C	
Storage Temperature	-10°C ~ +40°C	

Bestcreate Technology Limited

TOLERANCES UNLESS OTHERWISE SPECIFIED:			
.X	± 0.35	X'	± 3'
.XX	± 0.25	.X'	± 2'
.XXX	± 0.15	.XX'	± 1'

Website: www.bsc-elec.com
 Email: bestcreate@bsc-elec.com

DESIGN:	DATE:
I. L	2017. 3. 1
CHECKED:	DATE:
C. W	2017. 3. 1
APPROVED:	DATE:
C. W	2017. 3. 1

TITLE: RJ34 Connector, W/2-USB (Upper2.0 Lower3.0) GIGA BASE-T, W/LEDS		
MATERILA:	PART NO: U302RJ01-X50X-010	SIZE: A4
FINSH:	DWG NO: U302RJ01-X50X-010	2of2

REV: A	UNIT mm	SCALE 1=1	QUALITY SYMBOLS
--------	---------	-----------	-----------------