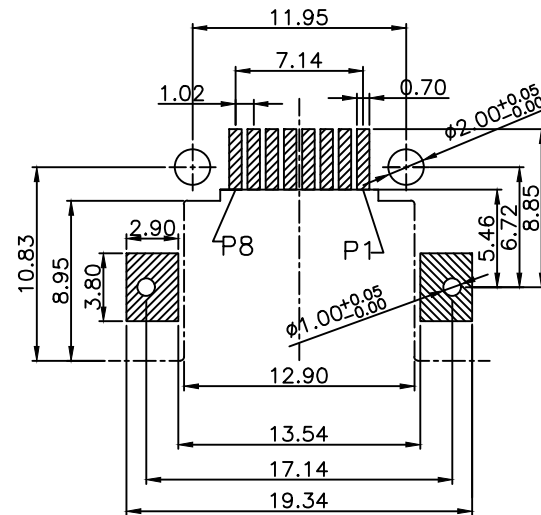
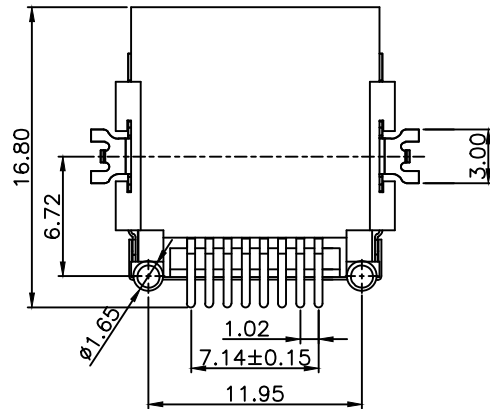
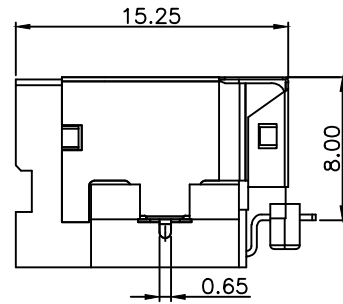
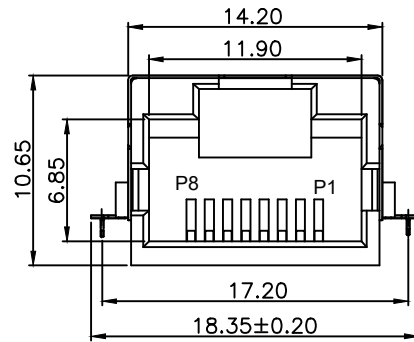


RoHS Compliant

REVISIONS			
REV.	DESCRIPTION	DATE	DESIGN



RECOMMENDED PCB LAYOUT  
PTOLERANCE=±0.05

NOTES

MATERIAL

- 1. HOUSING MATERIAL : LCP BLACK UL94V-0.
- 2. CONTACT MATERIAL : PHOSPHOR BRONZE T=0.3mm.
- 3. PLATING : GOLD FLASH PLATING AT CONTACT AREA .  
100u"MATTE TIN AT TAIL MIN, 30u NICKE OVER ALL.
- 4. SHIELD : 0.15mm THICKNESS COPPER ALLOY WITH NICKEL PLATED.

ELECTRICAL

- 1. VOLTAGE RATING : 125 VAC RMS.
- 2. CURRENT RATING : 1.5 AMP.
- 3. CONTACT RESISTANCE : 40 MILLIOHMS MAX.
- 4. INSULATION RESISTANCE : 500 MEGOHMS MIN @ 100V DC .
- 5. DIELECTRIC DIELECTRIC RESISTANCE : 500V DC RMS 50Hz. 1MIN.

MECHANICAL

- 1. DURRABILITY : 750 CYCLES MIN.
- 2. MATING/UNMATING FORCE: 2.24 KG. F MAX.

ENVIRONMENTAL :

- 1. STORAGE : -40°C~+85°C.
- 2. OPERATION : 0° C TO 70° C.

PART NO. INFORMATION

**RJ01- X 5 1 X - 045**

CONTACT PLATED  
1: G/F 2: AU 3U"  
3: AU 6U"

PACKAGE  
R: TAPE REEL  
T: TRAY

HOUSING:  
1:LCP BLACK  
2.PBT BLACK  
3.PA46 BLACK  
4.PA9T BLACK

8	/
7	/
6	RX-
5	/
4	/
3	RX+
2	TX-
1	TX+
PIN序说明	

**Bestcreate Technology Limited**

TOLERANCES UNLESS OTHERWISE SPECIFIED:

.X	± 0.35	X.*	± 3"
.XX	± 0.25	.X*	± 2"
.XXX	± 0.15	.XX*	± 1"

Website:www.bsc-elec.com

Email:bestcreate@bsc-elec.com

DESIGN:	DATE:	TITLE:	
I. L	2017. 3. 1	MID MOUNT RJ45 8P8C TAB UP 8.0 SMT	
CHECKED:	DATE:	MATERILA:	PART NO:
C. W	2017. 3. 1		RJ01-X51X-045
APPROVED:	DATE:	FINSH:	DWG NO:
C. W	2017. 3. 1		RJ01-X51X-045
			SIZE: A4

REV: A	UNIT mm	SCALE 1=1	QUALITY SYMBOLS
--------	---------	-----------	-----------------