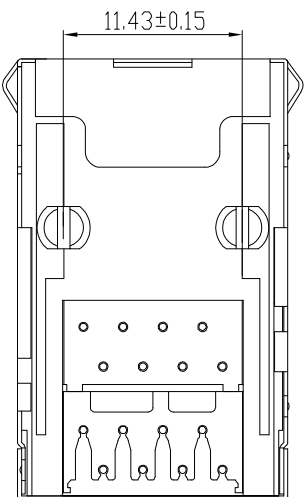
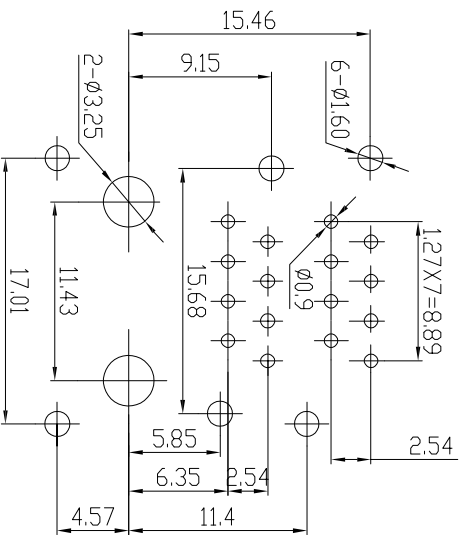
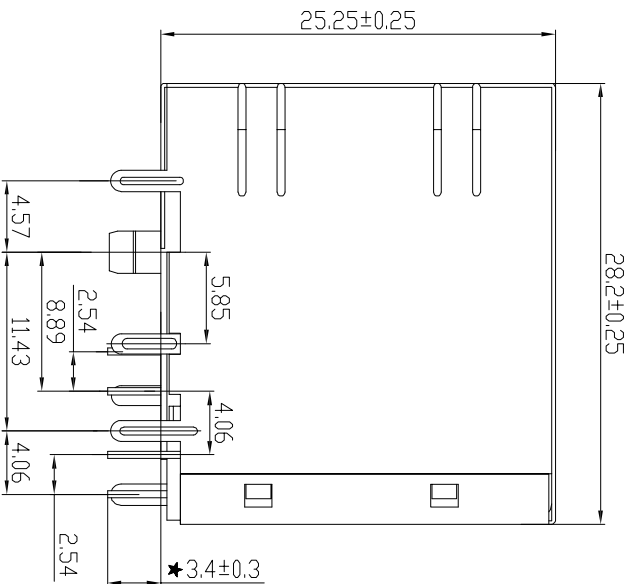
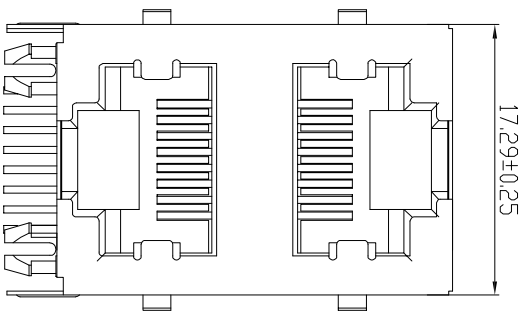


RoHS Compliant



REVISIONS		
REV.	DESCRIPTION	DATE

NOTES

- MATERIAL
- 1. HOUSING MATERIAL : PBT BLACK UL94V-0.
 - 2. CONTACT MATERIAL : PHOSPHOR BRONZE $\phi 0.46\text{mm}$.
 - 3. PLATING : GOLD FLASH PLATING OVER NICKEL.
 - 4. SHIELD : 0.20mm THICKNESS COPPER ALLOY WITH NICKEL PLATED.

- ELECTRICAL
- 1. VOLTAGE RATING : 125 VAC RMS.
 - 2. CURRENT RATING : 1.5 AMP.
 - 3. CONTACT RESISTANCE : 40 MILLIOHMS MAX.
 - 4. INSULATION RESISTANCE : 500 MEGOHMS MIN @ 100V DC.
 - 5. DIELECTRIC DIELECTRIC RESISTANCE : 500V DC RMS 50Hz, 1MIN.

- MECHANICAL
- 1. DURABILITY : 750 CYCLES MIN.
 - 2. MATTING/UNMATTING FORC : 2.24 KG. F MAX.

- ENVIRONMENTAL:
- 1. OPERATION : -40°C ~ +85°C.
 - 2. STORAGE : 0° C TO 70° C.

PART NO. INFORMATION

RJ01-X 5 X X - 098

- CONTACT PLATED
- 1: G/F
 - 2: AU 3U"
 - 3: AU 6U"

HOUSING: I:PBT BLACK

PACKAGE R: TAPE REEL T: TRAY

PCBLAYOUT
TOL:±0.05

Bestcreate Technology Limited

TOLERANCES UNLESS OTHERWISE SPECIFIED:

X	± 0.35	X'	±	3'
.XX	± 0.25	.X'	±	2'
.XXX	± 0.15	.XX'	±	1'

DESIGN: DATE:

I. L. 2017. 3. 1

CHECKED: DATE:

C. W. 2017. 3. 1

TITLE:

5921S RJ45 8P8C 2x1 DIP TYPE

MATERIAL:

PART NO: RJ01-X5XX-098

SIZE: A4

APPROVED:

DATE: 2017. 3. 1

FINSH:

DWG NO: RJ01-X5XX-098

REV: A

UNIT mm

SCALE 1 = 1

QUALITY SYMBOLS



Website: www.bsc-elec.com
Email: bestcreate@bsc-elec.com

1 2 3 4 5 6 7 8