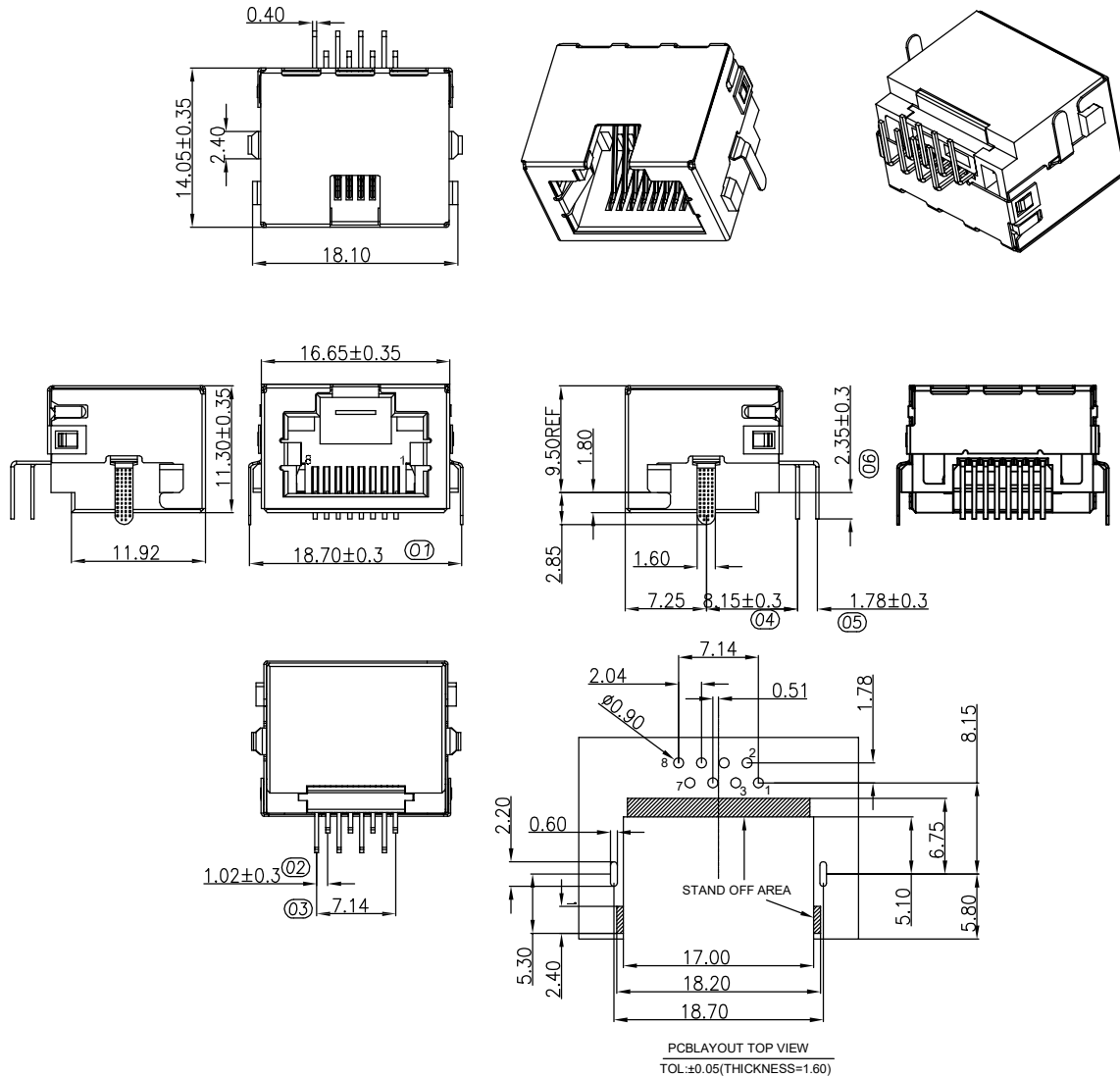


RoHS Compliant

REVISIONS			
REV.	DESCRIPTION	DATE	DESIGN



NOTES:

1. HOUSING MATERIAL:GLASS FILLED POLYESTER UL94V-0.
2. CONTACT MATERIAL:COPPER ALLOY,T=0.30.
3. PLATING: GOLD PLATED ON CONTACT AREA, 100u"MIN. TIN PLATED ON SOLDERING AREA, 50u"MIN. NICKEL PLATED OVERALL.
4. SHELL:COPPER ALLOY,T=0.20. 30u"MIN. NICKEL PLATED OVERALL.

ELECTRICAL:

1. VOLTAGE RATING: 125V AC RMS.
2. CURRENT RAIING: 1.5AMP.
3. CONTACT RESISTANCE: 40MILLIOHMS MAX.
4. INSULATION RESISTANCE: 500MEGOHMS MIN @100V DC.

MECHANICAL:

1. DURRABILITY: 750 CYCLES MIN.
- 2.INSERTION FORCE : 20N MAX.
- 3.REMOVAL FORCE(WITHOUT PLUG LOCK) : 20N MAX.

ENVIRONMENTAL:

1. STORAGE: -40°C~85°C
2. OPERATION:-40°C~85°C

*Apply to the EU standards(ROSH)

1. (7) ~ (6) FOR QIP DIM.

PART NO. INFORMATION

RJ01- X 5 X X - 023

CONTACT PLATED

- 1: G/F
- 2: AU 3U"
- 3: AU 6U"
- 4: AU 15U"
- 5: AU 30U"

PACKAGE
R: TAPE REEL
T: TRAY

HOUSING:

- 1:PBT BLACK
- 2:PBT YELLOW
- 3:PA46 BLACK
- 4:PBT BLUE
- 5:PA9T BLUE
- 6:PA9T YELLOW

Bestcreate Technology Limited

TOLERANCES UNLESS OTHERWISE SPECIFIED:

.X	± 0.30	X.*	± 3"
.XX	± 0.20	.X*	± 2"
.XXX	± 0.10	.XX*	± 1"

Website: www.bsc-elec.com

Email: bestcreate@bsc-elec.com

DESIGN: I. L

DATE: 2017.3.1

CHECKED: C. W

DATE: 2017.3.1

APPROVED: C. W

DATE: 2017.3.1

TITLE:

MID MOUNT 1.8MM RJ45 8P8C FEMALE CONNECTOR
DIP TYPE

MATERILA:

PART NO: RJ01-X5XX-023

SIZE: A4

FINSH:

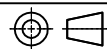
DWG NO: RJ01-X5XX-023

REV: A

UNIT mm

SCALE 1=1

QUALITY SYMBOLS



1

2

3

4

5

6

7

8