

RoHS Compliant

| REVISIONS |             |      |        |
|-----------|-------------|------|--------|
| REV.      | DESCRIPTION | DATE | DESIGN |
|           |             |      |        |

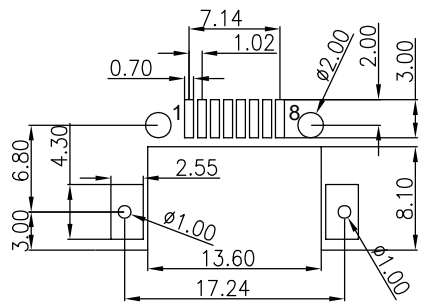
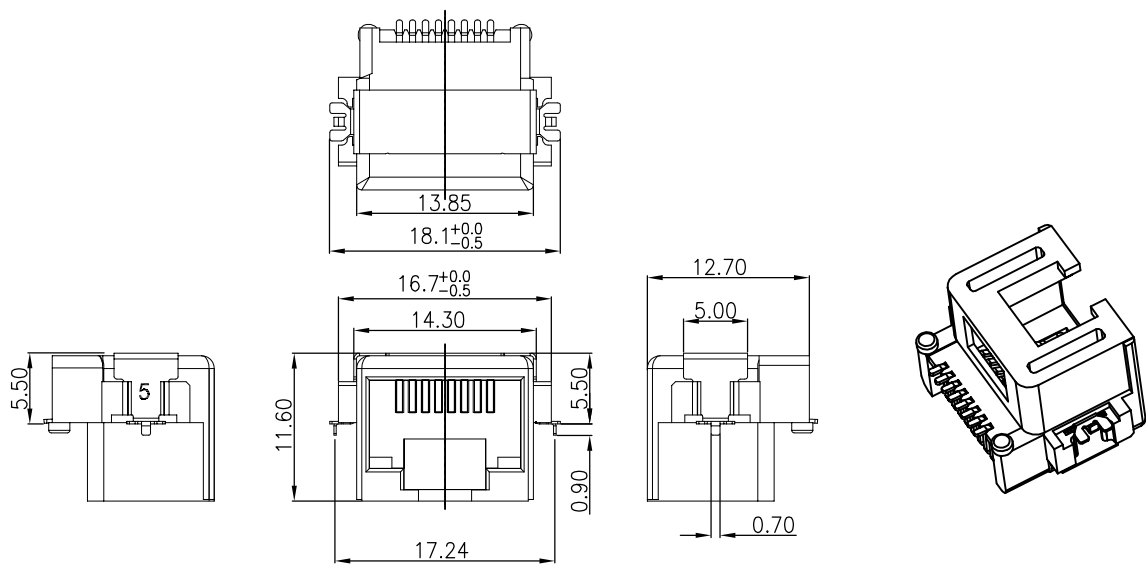
NOTES

MATERIAL  
 1. HOUSING MATERIAL : GLASS FILLED POLYESTER UL94V-0.  
 2. CONTACT MATERIAL : PHOSPHOR BRONZE T=0.3mm.  
 3. PLATING : GOLD FLASH PLATING OVER NICKEL.  
 4. SHIELD : 0.20mm THICKNESS COPPER ALLOY WITH NICKEL PLATED.

ELECTRICAL  
 1. VOLTAGE RATING : 125 VAC RMS.  
 2. CURRENT RATING : 1.5 AMP.  
 3. CONTACT RESISTANCE : 40 MILLIOHMS MAX.  
 4. INSULATION RESISTANCE : 500 MEGOHMS MIN @ 100V DC .  
 DIELECTRIC DIELECTRIC RESISTANCE : 500V DC RMS 50Hz. 1MIN.

MECHANICAL  
 1. DURRABILITY : 750 CYCLES MIN.  
 2. MATING/UNMATING FORCE : 2.24 KG. F MAX.

ENVIRONMENTAL:  
 1. STORAGE : -40°C~+85°C.  
 2. OPERATION : -40°C~+85°C.



PART NO. INFORMATION

**RJ01- X 5 X X - 037**

CONTACT PLATED  
 1: G/F 2: AU 3U"  
 3: AU 6U" 4: AU 15U"  
 5: AU 30U"

PACKAGE  
 R: TAPE REEL  
 T: TRAY

HOUSING:  
 1:PBT BLACK 2:PBT YELLOW  
 3:PA46 BLACK 4:PBT BLUE  
 5:PA9T BLUE 6:PA9T YELLOW

|         |     |
|---------|-----|
| 8       | —   |
| 7       | —   |
| 6       | RX- |
| 5       | —   |
| 4       | —   |
| 3       | RX+ |
| 2       | TX- |
| 1       | TX+ |
| PIN序 说明 |     |

**Bestcreate Technology Limited**

TOLERANCES UNLESS OTHERWISE SPECIFIED:

|      |        |      |      |
|------|--------|------|------|
| .X   | ± 0.30 | X.*  | ± 3* |
| .XX  | ± 0.20 | .X*  | ± 2* |
| .XXX | ± 0.10 | .XX* | ± 1* |

Website: [www.bsc-elec.com](http://www.bsc-elec.com)  
 Email: [bestcreate@bsc-elec.com](mailto:bestcreate@bsc-elec.com)

DESIGN: I. L DATE: 2017. 3. 1

CHECKED: C. W DATE: 2017. 3. 1

APPROVED: C. W DATE: 2017. 3. 1

TITLE: MID MOUNT 5.5MM RJ45 8P8C FEMALE CONNECTOR SMT TYPE

MATERILA: PART NO: RJ01-X5XX-037 SIZE: A4

FINSH: DWG NO: RJ01-X5XX-037

REV: A UNIT mm SCALE 1=1 QUALITY SYMBOLS