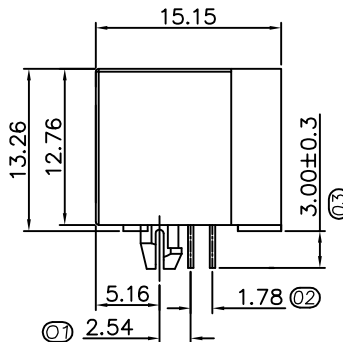
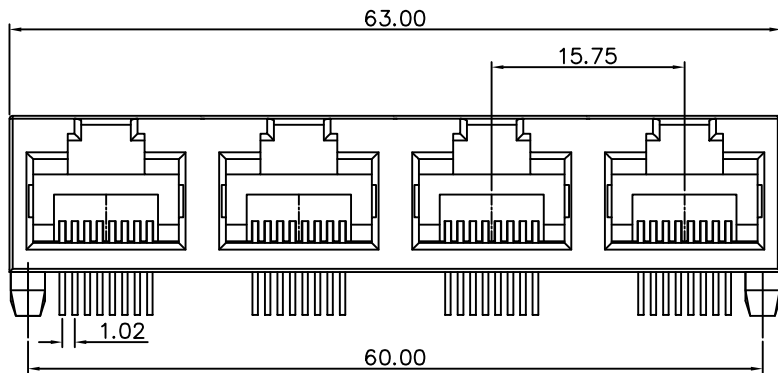


RoHS Compliant

REVISIONS			
REV.	DESCRIPTION	DATE	DESIGN



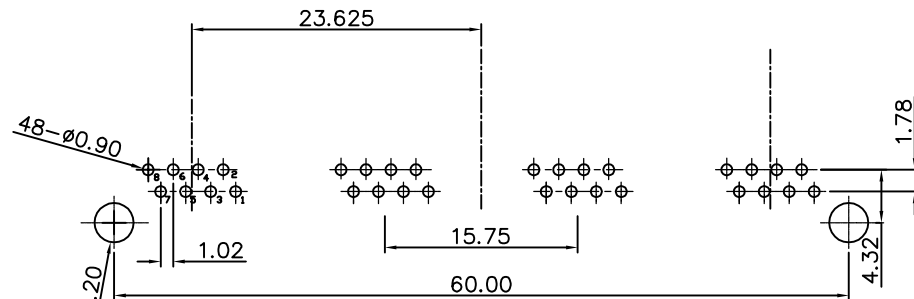
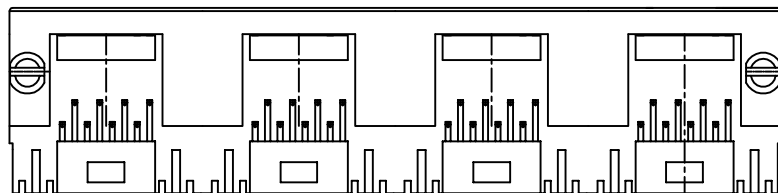
NOTES

MATERIAL
 1. HOUSING MATERIAL : GLASS FILLED POLYESTER UL94V-0.
 2. CONTACT MATERIAL : PHOSPHOR BRONZE Ø0.46mm.
 3. PLATING : GOLD FLASH PLATING OVER NICKEL.

ELECTRICAL
 1. VOLTAGE RATING : 125 VAC RMS.
 2. CURRENT RATING : 1.5 AMP.
 3. CONTACT RESISTANCE : 40 MILLIOHMS MAX.
 4. INSULATION RESISTANCE : 500 MEGOHMS MIN @ 100V DC .
 5. DIELECTRIC DIELECTRIC RESISTANCE : 500V DC RMS 50Hz. 1MIN.

MECHANICAL
 1. DURRABILITY : 750 CYCLES MIN.
 2. MATING/UNMATING FORCE : 2.24 KG. F MAX.

ENVIRONMENTAL:
 1. STORAGE : -40°C~+85°C.
 2. OPERATION : -40°C~+85°C.



PCBLAYOUT
 TOL:±0.05

PART NO. INFORMATION

RJ01- X 5 X X - 040

CONTACT PLATED
 1: G/F 2: AU 3U"
 3: AU 6U" 4: AU 15U"
 5: AU 30U"
 PACKAGE
 R: TAPE REEL
 T: TRAY
 HOUSING:
 1:PBT BLACK 2:PBT YELLOW
 3:PBT ORANGE 4:PBT BLUE
 5:PBT BLUE 6:PA66 BLACK
 7:PA66 YELLOW

Bestcreate Technology Limited

TOLERANCES UNLESS OTHERWISE SPECIFIED:

.X	± 0.30	X.	± 3'
.XX	± 0.20	.X'	± 2'
.XXX	± 0.10	.XX'	± 1'

Website: www.bsc-elec.com
 Email: bestcreate@bsc-elec.com

DESIGN: I. L DATE: 2017. 3. 1

CHECKED: C. W DATE: 2017. 3. 1

APPROVED: C. W DATE: 2017. 3. 1

TITLE: 5623 1X4 RJ45 8P8C FEMALE CONNECTOR
 DIP TYPE

MATERILA: PART NO: RJ01-X5XX-040 SIZE: A4

FINSH: DWG NO: RJ01-X5XX-040

REV: A UNIT mm SCALE 1=1 QUALITY SYMBOLS