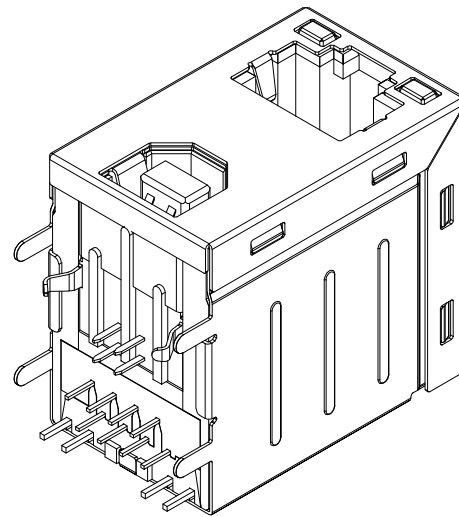
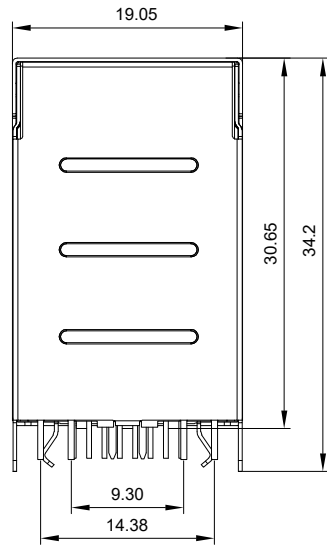
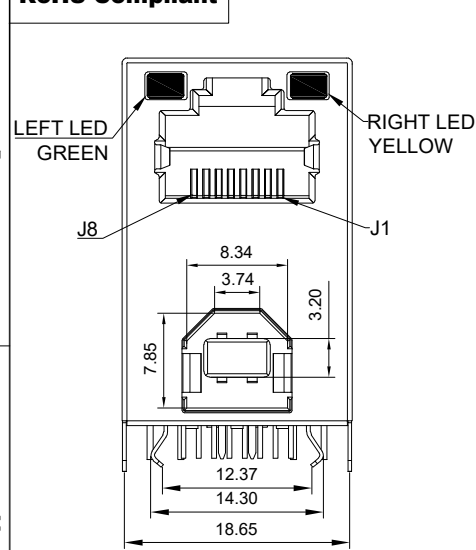


RoHS Compliant

REVISIONS			
REV.	DESCRIPTION	DATE	DESIGN

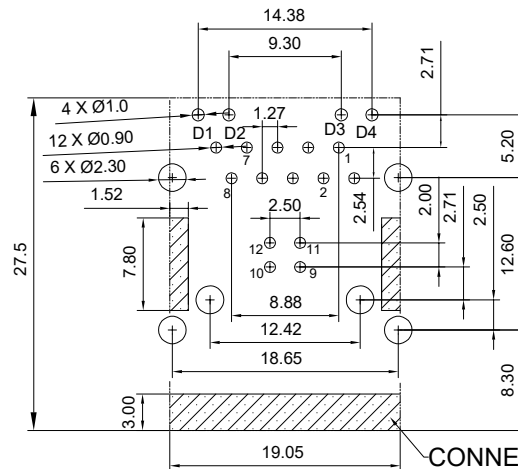
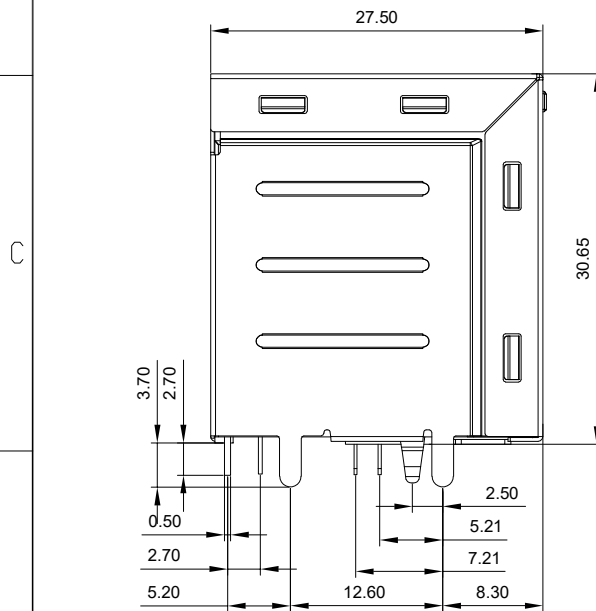


NOTE:
1.MATERIAL:
 Housing: High temp. Thermo plastics,PBT ,BK,UL94V-0
 Contact:Copper Alloy
 Shell: SPCC,Nickel plating overall.

2.Electrical performance:
 Voltage Current Rating:1.5 AMP. 30V AC
 Insulation Resistance:1000M Ω Min.
 Contact Resistance:30 m Ω Max.
 Dielectric Withstanding Voltage:500V AC

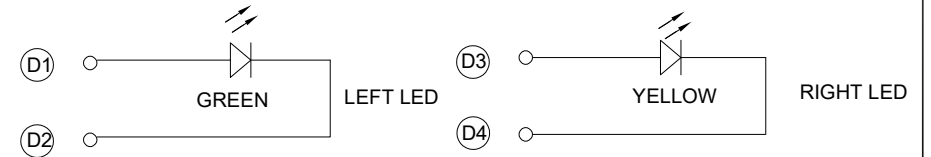
3.Temperature Range:-45°C to +85°C

4.FINISH:
 Contact:Tin Plating 100u" on solder tail area,
 RJ45 Gold plating 1u" on contact area.
 USB Gold plating 1u" on contact area,
 30u" min Ni underplating over all.



RECOMMENDED P.C.B. PATTERN LAYOUT
 COMPONENT SIDE SHOWN

CONNECTOR LOCATION PROFILE



PART NO. INFORMATION

RJU2B01- X 5 0 X - 006

CONTACT PLATED
 1: G/F 2: AU 3U"
 3: AU 6U" 4: AU 15U"
 5: AU 30U"

PACKAGE
 R: TAPE REEL
 T: TRAY

Bestcreate Technology Limited

TOLERANCES UNLESS OTHERWISE SPECIFIED:

.X	± 0.35	X'	± 3'
.XX	± 0.25	.X'	± 2'
.XXX	± 0.15	.XX'	± 1'

Website:www.bsc-elec.com
 Email:bestcreate@bsc-elec.com

DESIGN: I. L DATE: 2017. 3. 1

CHECKED: C. W DATE: 2017. 3. 1

APPROVED: C. W DATE: 2017. 3. 1

TITLE: RJ45 WITH USB B TYPE FEMALE 2.0,WITH LEDs

MATERILA: PART NO: RJU2B01-X50X-006 SIZE: A4

FINSH: DWG NO: RJU2B01-X50X-006

REV: A	UNIT mm	SCALE 1=1	QUALITY SYMBOLS
--------	---------	-----------	-----------------