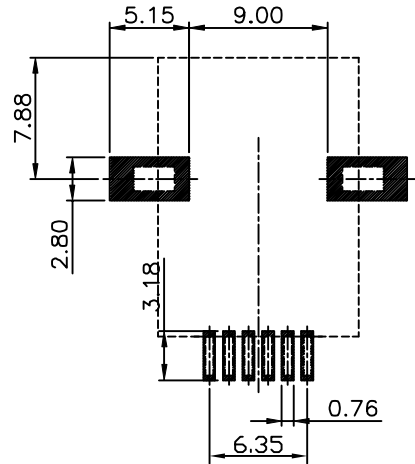
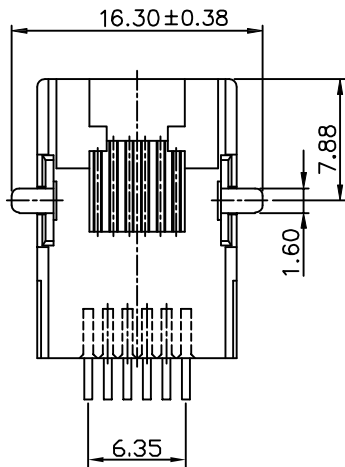
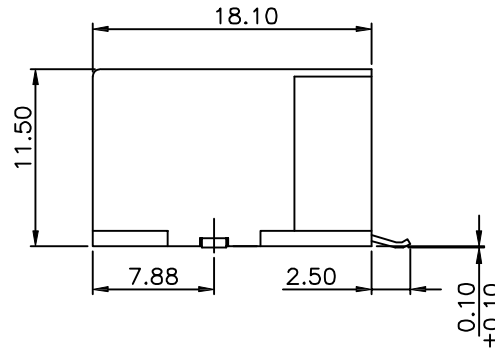
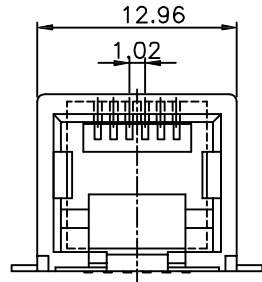


RoHS Compliant

REVISIONS			
REV.	DESCRIPTION	DATE	DESIGN



PCB LAYOUT/TOP VIEW

NOTES

- MATERIAL**
- 1. HOUSING MATERIAL : LCP BLACK UL94V-0.
 - 2. CONTACT MATERIAL : PHOSPHOR BRONZE T=0.3mm.
 - 3. SOLDER PAD : GOLD FLASH PLATING
 - 4. SOLDER PAD : 0.4mm THICKNESS COPPER ALLOY WITH NICKEL PLATED.
- ELECTRICAL**
- 1. VOLTAGE RATING : 125 VAC RMS.
 - 2. CURRENT RATING : 1.5 AMP.
 - 3. CONTACT RESISTANCE : 40 MILLIOHMS MAX.
 - 4. INSULATION RESISTANCE : 500 MEGOHMS MIN @ 100V DC .
 - 5. DIELECTRIC DIELECTRIC RESISTANCE : 500V DC RMS 50Hz. 1MIN.
- MECHANICAL**
- 1. DURRABILITY : 750 CYCLES MIN.
 - 2. MATING/UNMATING FORCE: 2.24 KG. F MAX.
- ENVIRONMENTAL:**
- 1. STORAGE : -40°C~+85°C.
 - 2. OPERATION : 0° C TO 70° C.

PART NO. INFORMATION

RJ01- X 5 1 X - 043

- CONTACT PLATED**
- 1: G/F
 - 2: AU 3U"
 - 3: AU 6U"
- HOUSING:**
- 1:LCP BLACK
- PACKAGE**
- R: TAPE REEL
 - T: TRAY

Bestcreate Technology Limited

TOLERANCES UNLESS OTHERWISE SPECIFIED:

.X	± 0.30	.X'	± 3'
.XX	± 0.20	.X"	± 2"
.XXX	± 0.10	.XX'	± 1'

Website: www.bsc-elec.com
Email: bestcreate@bsc-elec.com

DESIGN:	I. L	DATE:	2017.3.1
CHECKED:	C. W	DATE:	2017.3.1
APPROVED:	C. W	DATE:	2017.3.1

TITLE:			RJ11 TAB DOWN 6P6C FEMALE CONNECTOR SMT TYPE
MATERILA:	PART NO:	RJ01-X51X-043	SIZE: A4
FINSH:	DWG NO:	RJ01-X51X-043	

REV: A	UNIT mm	SCALE 1=1	QUALITY SYMBOLS	
--------	---------	-----------	-----------------	--

1

2

3

4

5

6

7

8