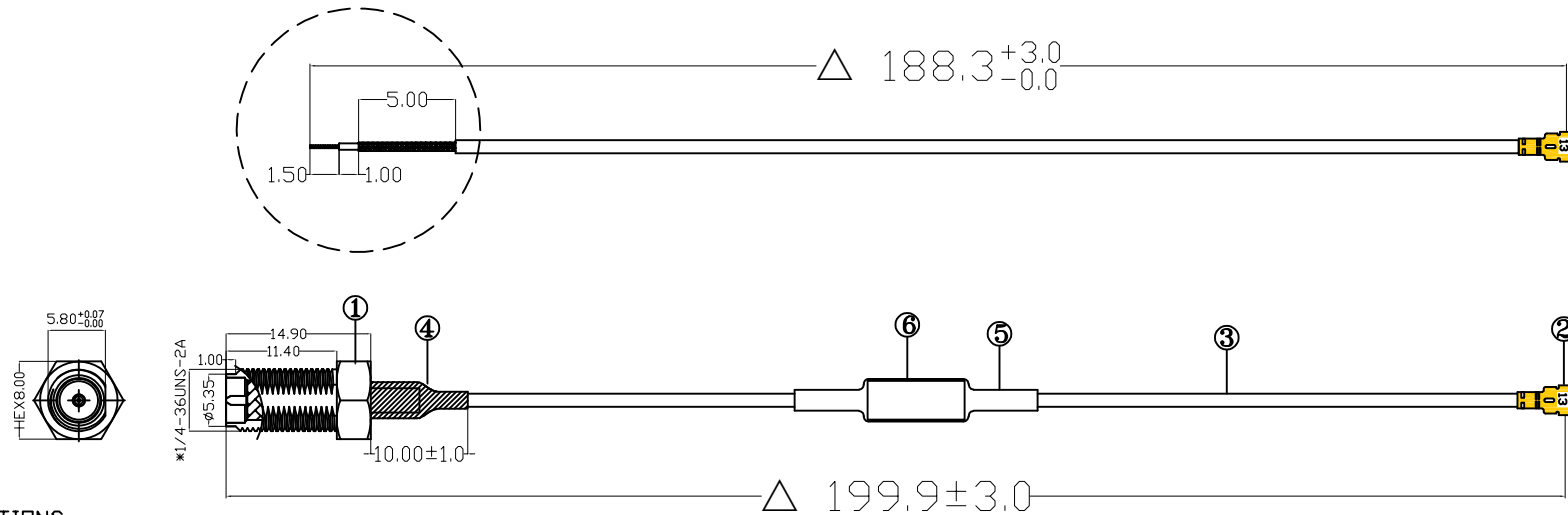


RoHS Compliant

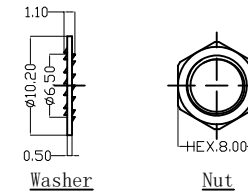
REVISIONS			
REV.	DESCRIPTION	DATE	DESIGN



NOTES:
 1.SPECIFICATIONS:
 IMPEDANCE:50 OHMS
 FREQUENCY RANGE:0-6 GHz
 VSWR:1.9 MAX
 INSERTION LOSS: ≥1.7dB
 WITHSTANDING VOL TAGE:200 V AC
 INSULATION RESISTANCE:500 ME GOHM MIN
 CONTACT RESISTANCE:
 CENTER CONTACT -20 MILLI-OHMS MAX
 OUTER CONDUCTOR -20 MILLI-OHMS MAX

MECHANICAL:
 COMPATIBILITY:MATES WITH U,FL SERIES
 HOLDING FORCE(MIN):0.15 N(FEMALE CONTACT)
 DURABILITY:30 CYCLES

ENVIRONMENTAL:
 TEMPERATURE RANGE:-40°C TO +90°C



6		CORE BLACK RH4. 0*10*1.5mm	1
5		Ø4.5mm TUBE BLACK L=25±1mm	1
4		Ø2.5mm TUBE BLACK L=10±1mm	1
3	B-01-020013	RF 1.13 MINI CABLE WHITE (LOW LOSS)	1
2	RF-1-113N	MHF connector plug for 1.13 mini cable (NO MARK)	1
1	A-02-140020	RP-SMA JACK 11.4mm For RF1.13 mini cable	1

Bestcreate Technology Limited

TOLERANCES UNLESS OTHERWISE SPECIFIED:

X.	± 0.30	X."	± 3"
.X	± 0.15	.X"	± 2"
.XX	± 0.10	.XX"	± 1"

Website:www.bsc-elec.com
 Email:bestcreate@bsc-elec.com

DESIGN: I.L DATE: 2017.3.1

CHECKED: C.W DATE: 2017.3.1

APPROVED: C.W DATE: 2017.3.1

TITLE: RF 1.37 MINI CABLE ASSY. T/L=188.3MM WHITE

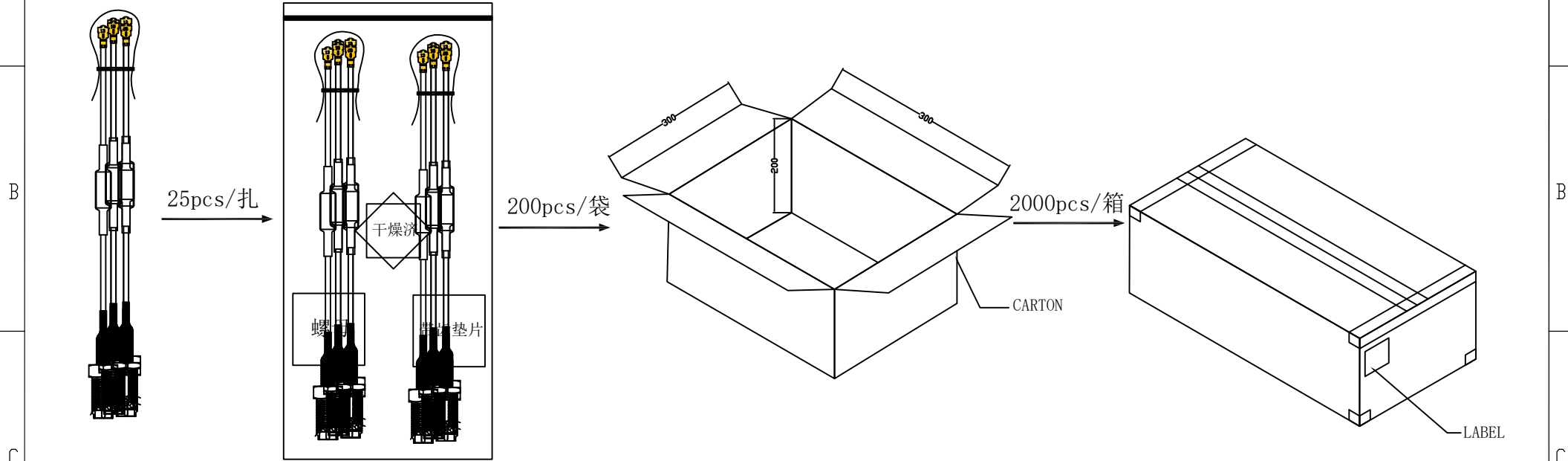
MATERILA: FINSH: PART NO: C-01-066919 SIZE: A4

DWG NO: C-01-066919

REV:	UNIT	SCALE	QUALITY SYMBOLS
A	mm	1=1	

RoHS Compliant

REVISIONS			
REV.	DESCRIPTION	DATE	DESIGN



5		箱规内径: 300*300*200mm K=K 空白箱	1
4		PE袋	1
3		干燥剂	1
2		TPU透明白皮筋MB-4024	1
1		白色珍珠棉袋 60*80mm	1

Bestcreate Technology Limited

TOLERANCES UNLESS OTHERWISE SPECIFIED:

X.	± 0.30	X.'	± 3'
.X	± 0.15	.X'	± 2'
.XX	± 0.10	.XX'	± 1'

Website: www.bsc-elec.com
Email: bestcreate@bsc-elec.com

DESIGN: I.L
DATE: 2017.3.1

CHECKED: C.W
DATE: 2017.3.1

APPROVED: C.W
DATE: 2017.3.1

TITLE: RF 1.37 MINI CABLE ASSY. T/L=188.3MM WHITE

MATERILA: PART NO: C-01-066919 SIZE: A4

FINSH: DWG NO: C-01-066919

REV: A UNIT mm SCALE 1=1 QUALITY SYMBOLS

1 2 3 4 5 6 7 8