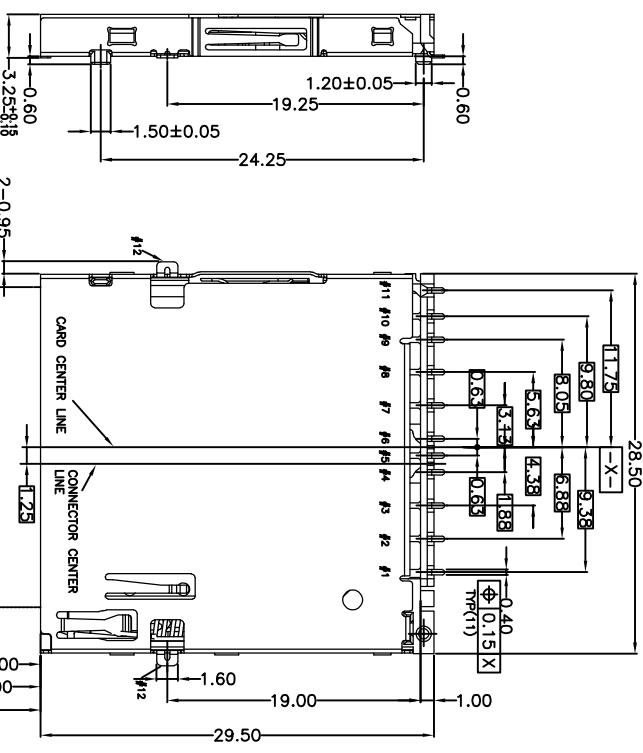


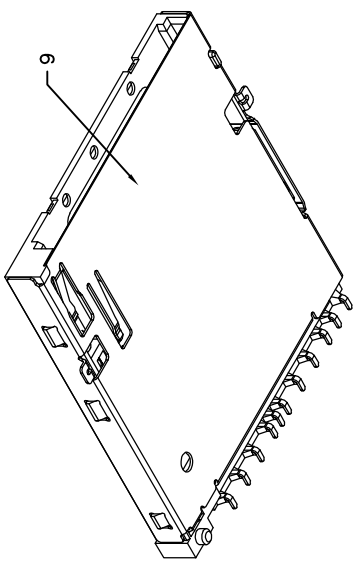
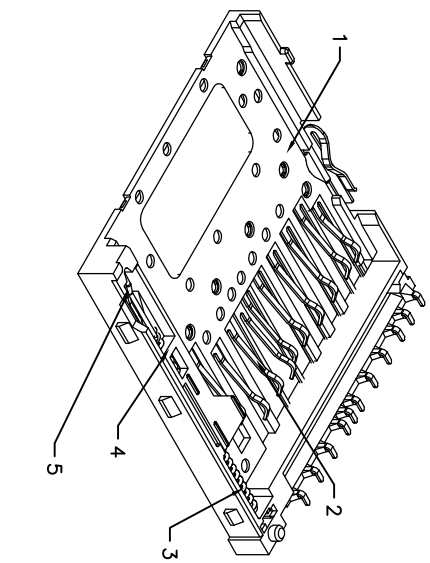
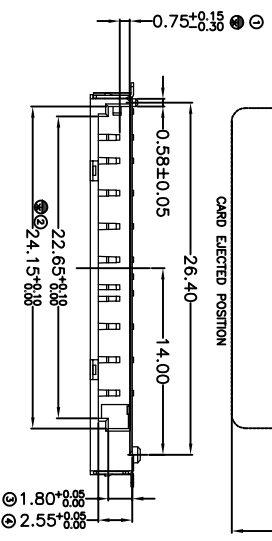
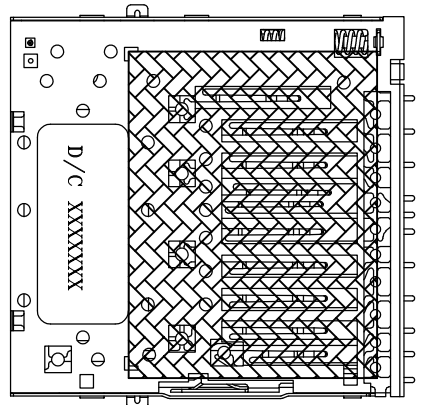
RoHS Compliant

1 2 3 4 5 6 7 8

REVISIONS		
REV.	DESCRIPTION	DATE



0.10 all solder pin



ITEM	Title	Material	Pos
6	SD卡下流版下外壳	SUS304	1
5	SD卡槽	SMP	1
4	SD卡槽	LCP	1
3	SD卡下流版下弹脚	SUS	1
2	SD卡下流版下端子	C2680-SH	1
1	SD卡下主体	LCP	1

Bestcreate Technology Limited

TOLERANCES UNLESS OTHERWISE SPECIFIED:

.X	± 0.35	X.*	± 5'
.XX	± 0.25	.X.*	± 2'
.XXX	± 0.15	.XX.*	± 1'

DESIGN: I.L DATE: 2017.3.1

CHECKED: DATE: 2017.3.1

APPROVED: DATE: 2017.3.1

TITLE: SD P/P 板上 SMT 3.25H

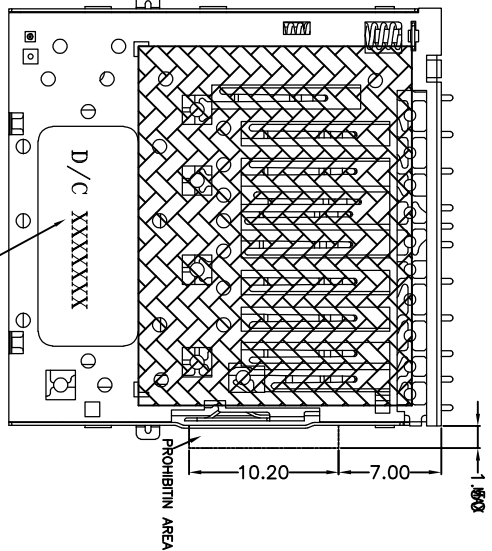
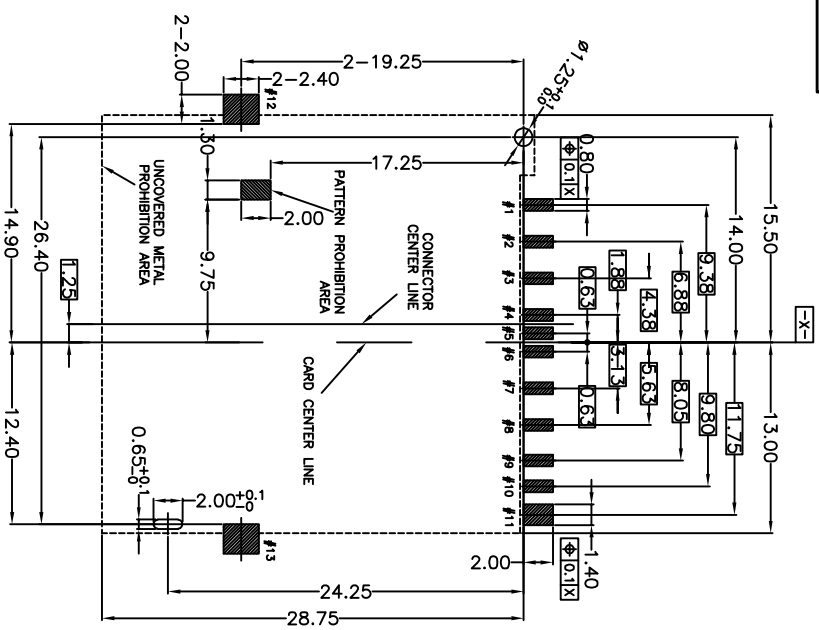
MATERIAL: PART NO: SD-11XXSR-005

FINISH: DWG NO: SD-11XXSR-005

REV.	UNIT	SCALE	QUALITY SYMBOLS	Website: www.bsc-elec.com	APPROVED:	DATE:	FINISH:	DWG NO:	SHEET:
A	mm	1=1		www.bsc-elec.com	C.W	2017.3.1	SD-11XXSR-005	SD-11XXSR-005	1 OF 3

1 2 3 4 5 6 7 8

RoHS Compliant



RECOMMEND P.C.B LAYOUT TOLERANCE ±0.05

WITHOUT CARD	CARD INSERTED:LOCK	CARD INSERTED:UNLOCK
W/P #11 GND #12	W/P #11 GND #12	W/P #11 GND #12
C/D #04 VSS1 #05	C/D #04 VSS1 #05	C/D #04 VSS1 #05

Pin Define	SD Card Pin No.	Pin Define
P1	P9	DAT2
P2	P1	DAT3
P3	P2	CMD
P4	P4	CD
P5	P3	VSS1
P6	P4	VDD
P7	P5	CLK
P8	P6	VSS2
P9	P7	DATO
P10	P8	DAT1
P11	P11	W/P
P12	P12	GND
P13	P13	GND

TOLERANCES UNLESS OTHERWISE SPECIFIED:

X	± 0.35	X*	± 0.25	X**	± 0.15
.X	± 0.35	X*	± 0.25	X**	± 0.15
.XX	± 0.25	X*	± 0.25	X**	± 0.15
.XXX	± 0.15	X**	± 0.15	X**	± 0.15

Website: www.bsc-elec.com
Email: bestcreate@bsc-elec.com

REVISIONS		
REV.	DESCRIPTION	DATE

Specification
 *Electrical Characteristics:
 Contact Current Rating:0.5 Amperes.
 Dielectric Withstanding Voltage:AC500V r.m.s.
 Insulation Resistance:1000 MΩ Minimum.
 Contact Resistance:100 mΩ Maximum.
 *Environmental:
 Operating Temperature: -25°C~+85°C.
 *Mechanical Characteristics:
 Mating Cycles:10,000 Cycles Insertion/Extraction
 Card Push Insertion/Out Force:1kgf Maximum.
 Contact Retention Force:0.15kgf Minimum.
 *Material:
 Insulator:HI-Temp Plastic UL 94V-0 Rated.
 Contact:Copper Alloy.
 Shell:Stainless Steel.
 Spring:SWPB.
 Ordering Information:

PART NO. INFORMATION

SD -11 X X 5 R - 005

- 11:11P
- CONTACT PLATED
- 1: GOLD FLASH
- 2: GOLD 3U"
- 3: GOLD 5U"
- 4: GOLD 10U"
- 5: GOLD 15U"
- 6: GOLD 30U"
- PACKAGE
- R: TAPE REEL
- HOUSING COLOR
- 1: WHITE
- 2: BLACK
- 3: NATURE
- HOUSING MATERIAL
- A: LCP
- B: PBT
- C: PA9T
- D: PA6T
- E: PA46
- F: PA66

DESIGN: DATE: 2017.3.1

CHECKED: DATE: 2017.3.1

APPROVED: DATE: 2017.3.1

TITLE: SD P/P 板上 SMT 3.25H

MATERIAL: SD-11XXSR-005

FINISH: SD-11XXSR-005

Bestcreate Technology Limited

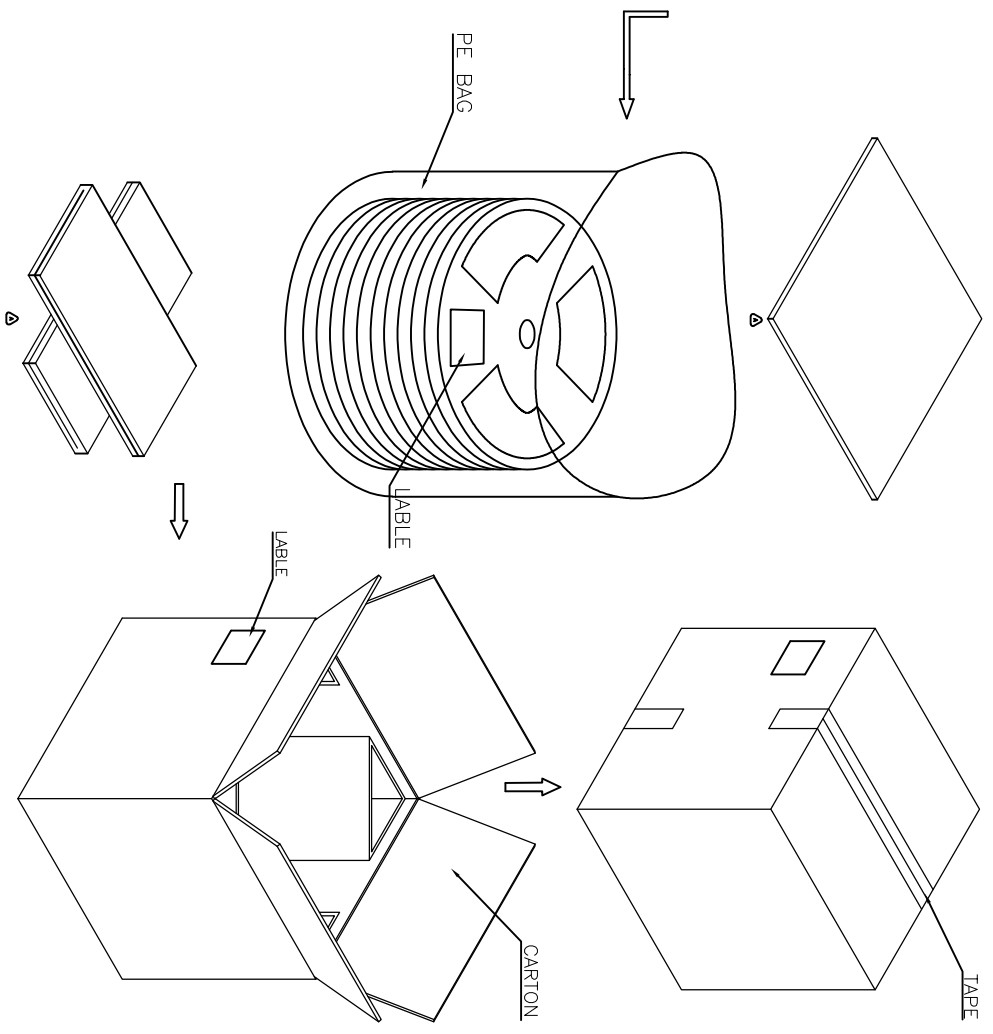
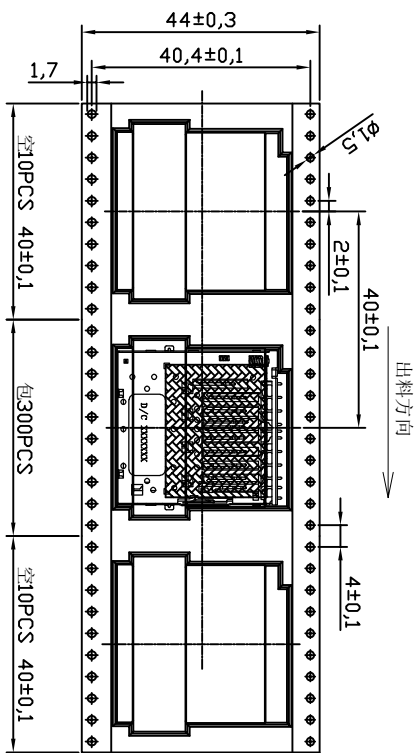
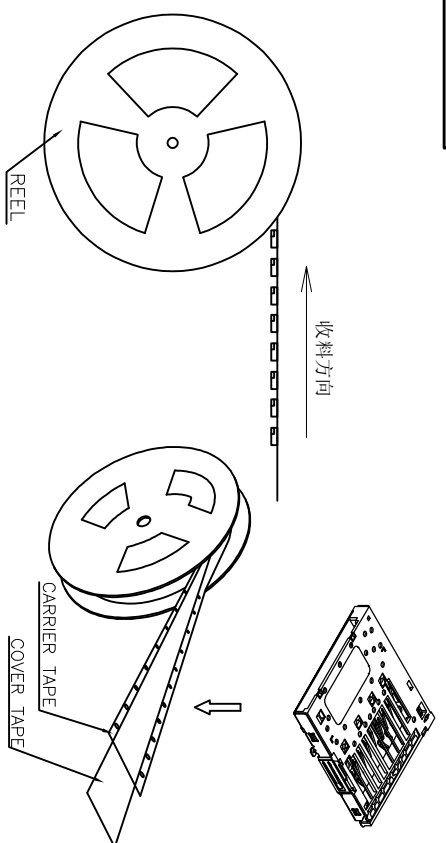
REV: A UNIT mm SCALE 1=1 QUALITY SYMBOLS

REV.	UNIT	SCALE	QUALITY SYMBOLS	DESIGN	DATE	TITLE	PART NO.	SIZE
A	mm	1=1		SD P/P 板上 SMT 3.25H	2017.3.1	SD-11XXSR-005	SD-11XXSR-005	A4

RoHS Compliant

1 2 3 4 5 6 7 8

REVISIONS		
REV.	DESCRIPTION	DATE



PART NAME	SD-11XX5R-005
QUANTITY OF PER REEL	300PCS/REEL
QUANTITY OF PER CARTON	6*300=1800PCS/CARTON
WEIGHT OF PER REEL	
WEIGHT OF PER CARTON (NET WEIGHT)	
GROSS WEIGHT	
CARTON SIZE	350*350*325mm

Bestcreate Technology Limited

REV: A	UNIT mm	SCALE 1=1	QUALITY SYMBOLS
--------	---------	-----------	-----------------

TOLERANCES UNLESS OTHERWISE SPECIFIED:

.X	± 0.35	X.	±	S'
.XX	± 0.25	.X'	±	2'
.XXX	± 0.15	.XX'	±	1'

Website: www.bsc-elec.com
Email: bestcreate@bsc-elec.com

DESIGN: I.L	DATE: 2017.3.1
CHECKED: C.W	DATE: 2017.3.1
APPROVED: C.W	DATE: 2017.3.1

TITLE: SD P/P 板上 SMT 3.25H 包装规范	PART NO: SD-11XX5R-005	SIZE: A4
MATERIAL:	DWG NO: SD-11XX5R-005	SHEET: 3 OF 3