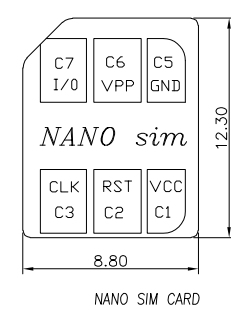
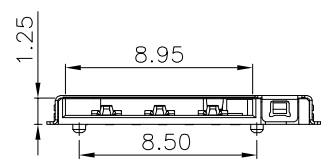
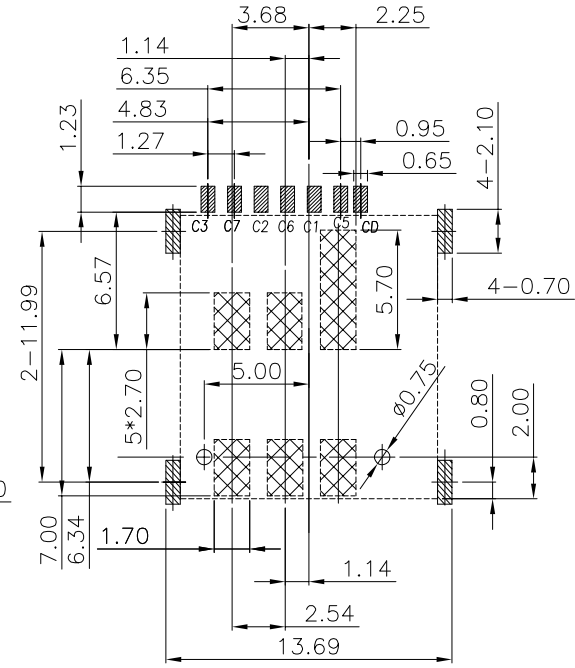
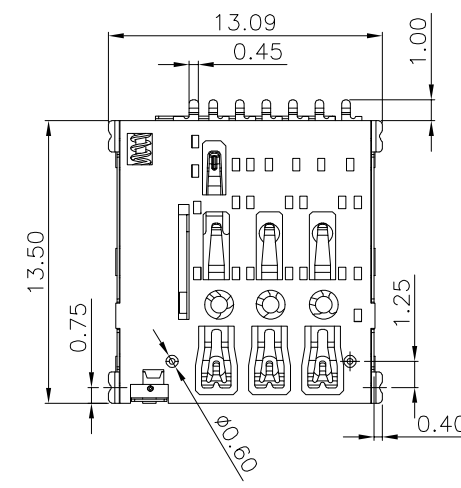
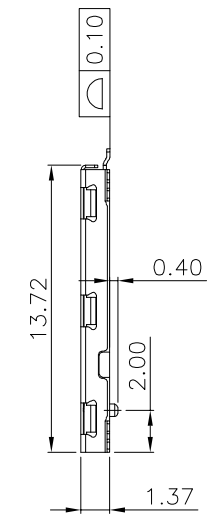
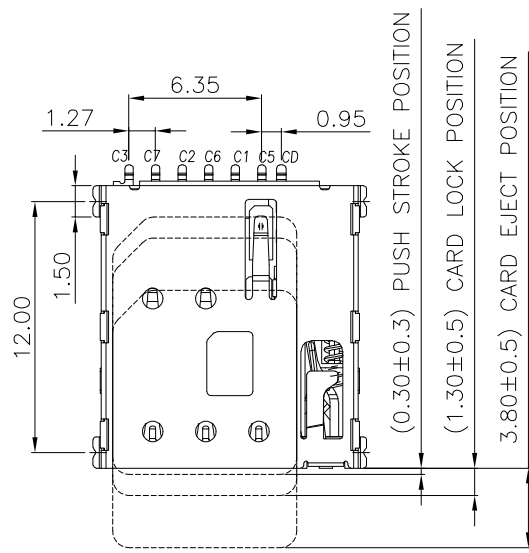


RoHS Compliant

REVISIONS			
REV.	DESCRIPTION	DATE	DESIGN



- NOTES:
- MATERIAL:  
HOUSING:LCP S475 UL 94V-0  
CONTACT:C5210R-H  
SHELL:SUS304-H
  - FINISH:  
CONTACT:GOLD FLASH PLATED ON CONTACT AREA;  
GOLD FLASH PLATED ON SOLDER TAILS,
  - ELECTRICAL CHARACTERISTICS  
RATING CURRENT : 0.5A MAX.  
CONTACT RESISTANCE :50 mΩ MAX  
DIELECTRIC WITHSTANDING : 500V AC MIN.  
INSULATION RESISTANCE: 1000 mΩ MIN.
  - MECHANICAL CHARACTERISTICS  
MATING CYCLE :3000 CYCLES

- PAD AREA
- KEEP OUT AREA
- GND PATTERN ONLIE
- NO COPPER AREA (NO Trace&Via&GND)

RECOMMENDED PCB LAYOUT  
GENERAL TOLERANCE ±0.05

PART NO. INFORMATION

**NSIM - 07 X X 5 R - 007**

07:7P

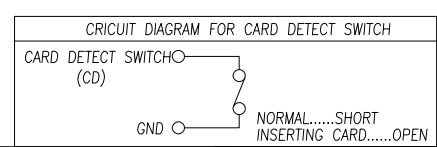
CONTACT PLATED  
1: GOLD FLASH  
2: GOLD 3U"  
3: GOLD 5U"  
4: GOLD 10U"  
5: GOLD 15U"  
6: GOLD 30U"

PACKAGE  
R: TAPE REEL

HOUSING COLOR  
2: WHITE  
5: BLACK  
9: NATURE

HOUSING MATERIAL  
A: LCP B: PBT  
C: PA9T D: PA6T  
E: PA46 F: PA66

SIM pin Assignment	
PIN#	Name
C1	VCC
C2	RST
C3	CLK
C5	GND
C6	VPP
C7	I/O



**Bestcreate Technology Limited**

TOLERANCES UNLESS OTHERWISE SPECIFIED:			
.X	±	0.35	X.* ± 5'
.XX	±	0.25	.X.* ± 2'
.XXX	±	0.15	.XX.* ± 1'

Website:www.bsc-elec.com  
Email:bestcreate@bsc-elec.com

DESIGN:	DATE:
I. L	2017. 3. 1
CHECKED:	DATE:
C. W	2017. 3. 1
APPROVED:	DATE:
C. W	2017. 3. 1

TITLE: NANO SIM CARD P/P 7PIN 1.37H 帶CD PIN(有柱) 順插		
MATERIALA:	PART NO: NSIM-07XX5R-007	SIZE: A4
FINSH:	DWG NO: NSIM-07XX5R-007	1 OF 2

REV: A	UNIT mm	SCALE 1=1	QUALITY SYMBOLS
--------	---------	-----------	-----------------

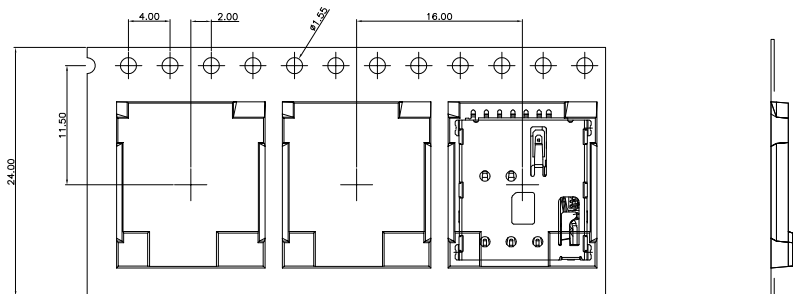
RoHS Compliant

REVISIONS			
REV.	DESCRIPTION	DATE	DESIGN

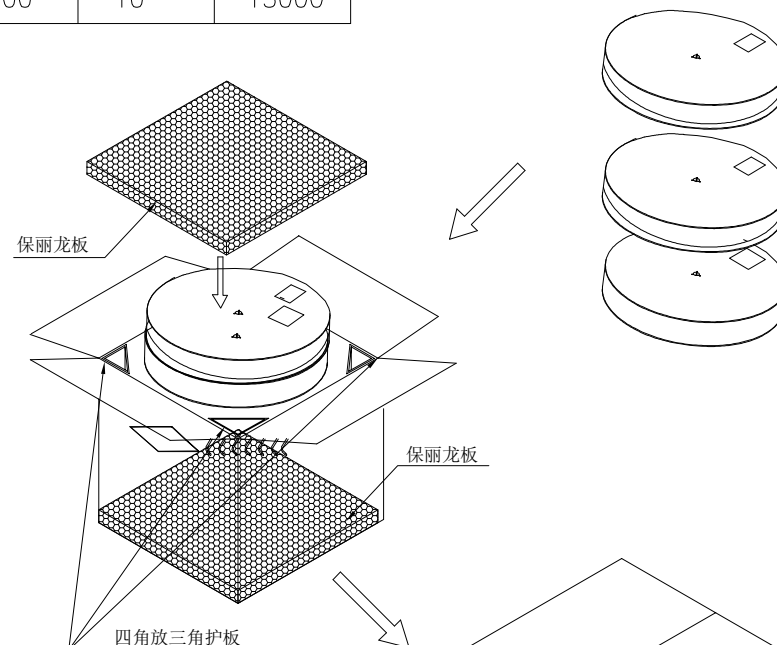
<TABLE 1> PACKAGING QUANTITY

QTY/REEL	REEL/CARTON	QTY/CARTON
1500	10	15000

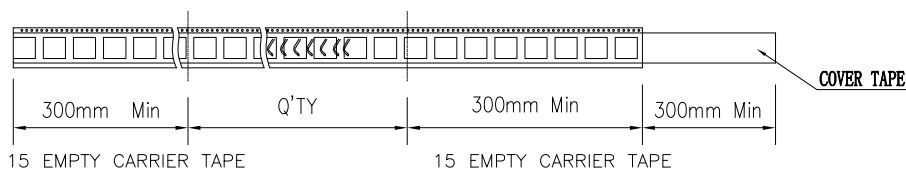
<图一>



<图三>



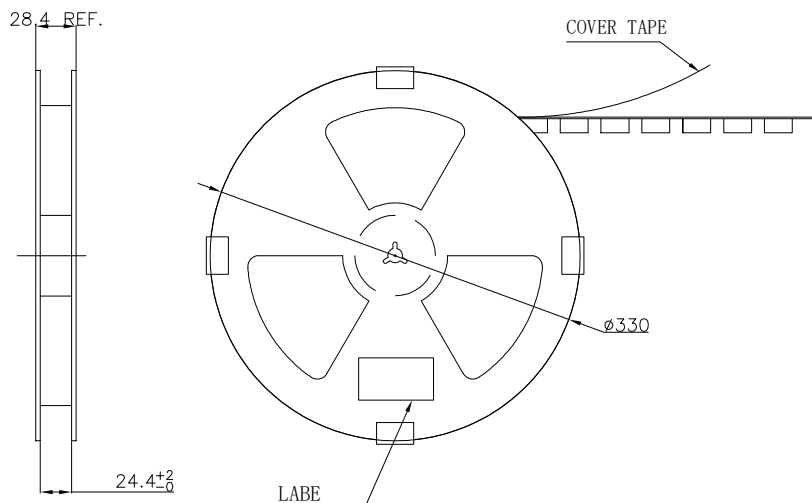
放料方向



COVER TAPE PEELING FORCE: 20gf~100gf



<图二>



NOTE:

1. 依<图一>示放置产品于下载中, 每穴放置1PCS产品.
2. 包装机包好后, 在REEL的个等分点贴上胶带, 以防止REEL张开, 每REEL贴1PCS标签, 如<图二>示
3. 包装数量见如<TABLE 1>示
4. 包装成箱见如<图三>示  
箱底放保利龙板, 再依次将指定数量的卷装产品放入箱内, 四角分别放入四个三角护板, 最上层再放上保利龙板.
5. 封箱, 在封好的纸箱上按客户要求写上料号, 数量等

**Bestcreate Technology Limited**

TOLERANCES UNLESS OTHERWISE SPECIFIED:

.X	± 0.35	X'	± 5'
.XX	± 0.25	.X'	± 2'
.XXX	± 0.15	.XX'	± 1'

Website: www.bsc-elec.com  
Email: bestcreate@bsc-elec.com

DESIGN: I. L  
DATE: 2017. 3. 1  
CHECKED: C. W  
DATE: 2017. 3. 1  
APPROVED: C. W  
DATE: 2017. 3. 1

TITLE: NANO SIM CARD P/P 7PIN  
1.37H 带CD PIN(有柱) 顺插

MATERIALA:	PART NO: NSIM-07XX5R-007	SIZE: A4
FINSH:	DWG NO: NSIM-07XX5R-007	2 OF 2

REV: A  
UNIT: mm  
SCALE: 1=1  
QUALITY SYMBOLS

