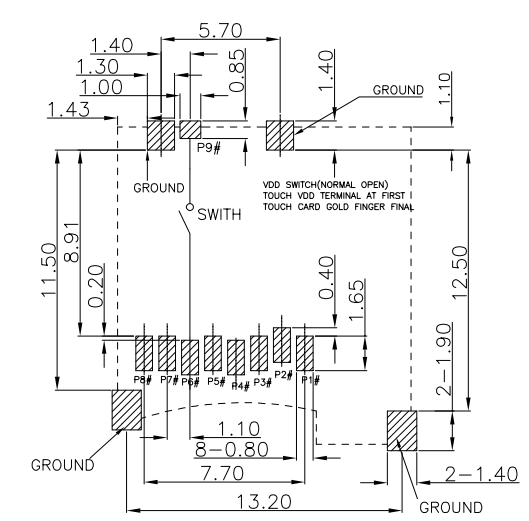
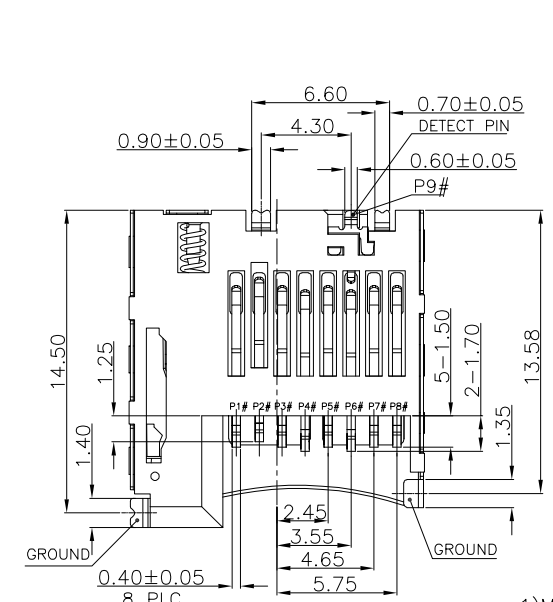
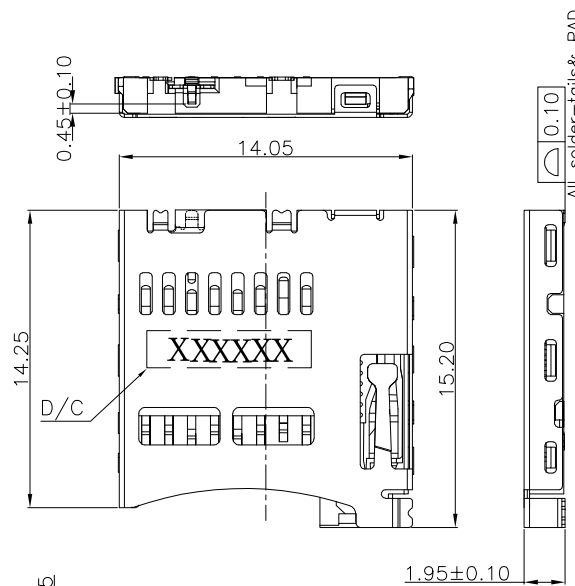


RoHS Compliant

REVISIONS			
REV.	DESCRIPTION	DATE	DESIGN



RECOMMEND PCB LAYOUT  
GENERAL TOLERANCE ±0.05

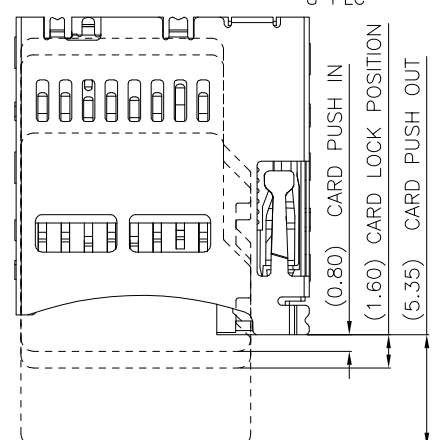
- 1) MATERIAL:  
 HOUSING : LCP S475, COLOR:BLACK UL 94-V0  
 CONTACT : C5210,T=0.15mm  
 SHELL : SUS304,T=0.15mm
- 2) FINISH :  
 CONTACT: Contact area: Au 1u" Min  
 Solder area: Au G/F,  
 Underplating: Ni overall 50u" Min  
 SHELL: Underplating: Ni overall 50u" Min  
 Solder area: Au G/F,

PART NO. INFORMATION

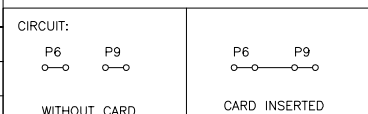
**MSD - 08 X X 5 R - 010**

08:8P  
 CONTACT PLATED  
 1: GOLD FLASH  
 2: GOLD 3U"  
 3: GOLD 5U"  
 4: GOLD 10U"  
 5: GOLD 15U"  
 6: GOLD 30U"

PACKAGE  
 R: TAPE REEL  
 HOUSING COLOR  
 2: WHITE  
 5: BLACK  
 9: NATURE  
 HOUSING MATERIAL  
 A: LCP B: PBT  
 C: PA9T D: PA6T  
 E: PA46 F: PA66



Pin No.	MICRO SD
PIN1	DAT2 1P
PIN2	CD/DAT3 2P
PIN3	CMD 3P
PIN4	VDD 4P
PIN5	CLK 5P
PIN6	VSS 6P
PIN7	DAT0 7P
PIN8	DAT1 8P
PIN9	CARD DETECT



**Bestcreate Technology Limited**

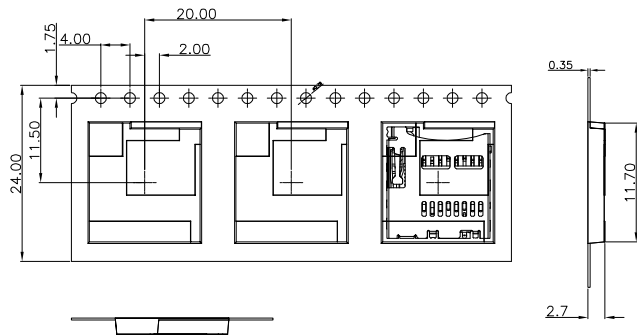
REV: A UNIT mm SCALE 1=1 QUALITY SYMBOLS

TOLERANCES UNLESS OTHERWISE SPECIFIED:		DESIGN:	DATE:	TITLE:	
.X ± 0.35	.X' ± 5'	I. L	2017. 3. 1	PUSH T-FLASH CONN NORMAL OPEN	
.XX ± 0.25	.X' ± 2'	CHECKED:	DATE:	MATERILA:	PART NO:
.XXX ± 0.15	.X' ± 1'	C. W	2017. 3. 1	MSD-08XX5R-010	SIZE: A4
Website:www.bsc-elec.com		APPROVED:	DATE:	FINSH:	DWG NO:
Email:bestcreate@bsc-elec.com		C. W	2017. 3. 1	MSD-08XX5R-010	1 OF 2

RoHS Compliant

REVISIONS			
REV.	DESCRIPTION	DATE	DESIGN

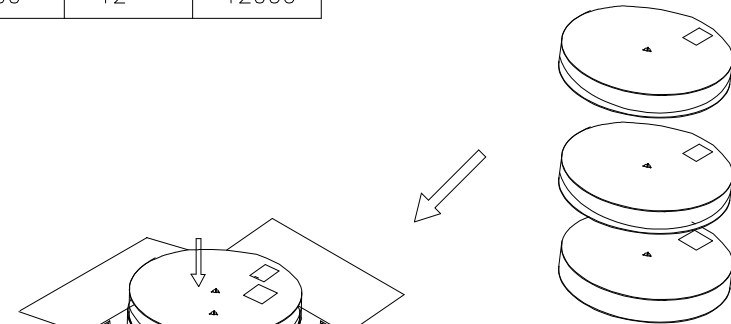
<图一>



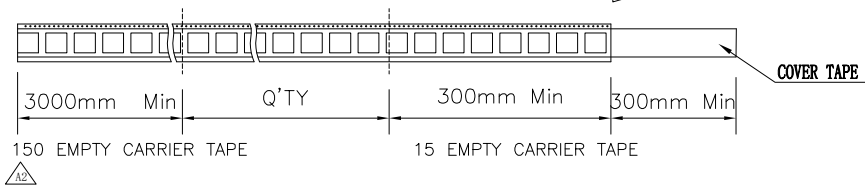
<TABLE 1> PACKAGING QUANTITY

QTY/REEL	REEL/CARTON	QTY/CARTON
1000	12	12000

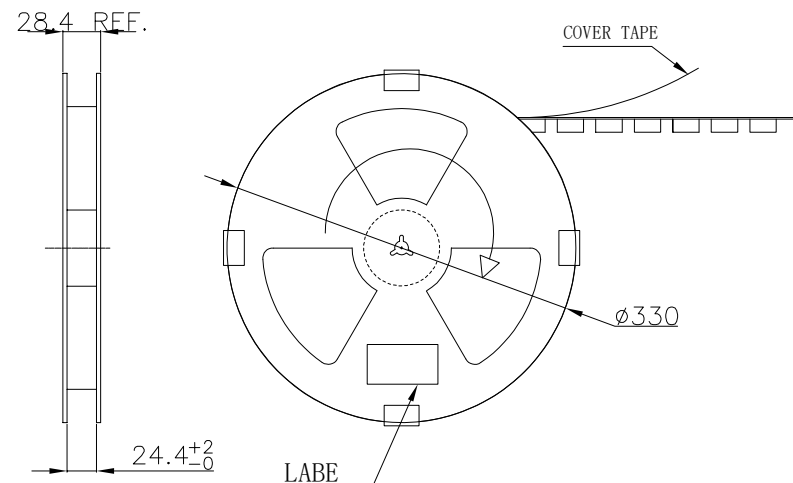
<图三>



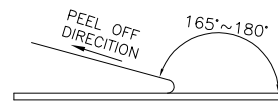
放料方向



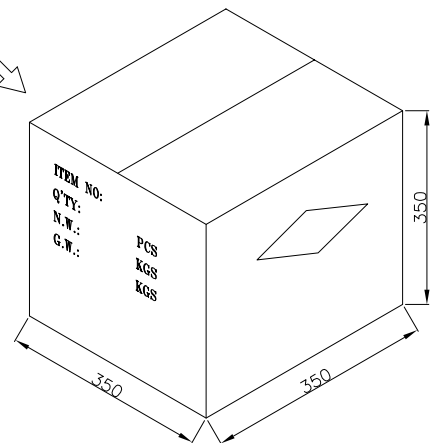
<图二>



COVER TAPE PEELING FORCE: 20gf~120gf



四角放三角护板



NOTE:

- 依<图一>示放置产品于下载中, 每穴放置1PCS产品.
- 包装机包好后, 在REEL的个等分点贴上胶带, 以防止REEL张开, 每REEL贴1PCS标签, 如<图二>示
- 包装数量见如<TABLE 1>示
- 包装成箱见如<图三>示  
依次将指定数量的卷装产品放入箱内,  
四角分别放入四个三角护板, 最上层再放上保丽龙板.
- 封箱, 在封好的纸箱上按客户要求写上料号, 数量等

**Bestcreate Technology Limited**

TOLERANCES UNLESS OTHERWISE SPECIFIED:

.X	± 0.35	X'	± 5'
.XX	± 0.25	.X'	± 2'
.XXX	± 0.15	.XX'	± 1'

Website: www.bsc-elec.com  
Email: bestcreate@bsc-elec.com

DESIGN: I. L  
DATE: 2017. 3. 1

CHECKED: C. W  
DATE: 2017. 3. 1

APPROVED: C. W  
DATE: 2017. 3. 1

TITLE: PUSH T-FLASH CONN NORMAL OPEN

MATERILA:	PART NO: MSD-08XX5R-010	SIZE: A4
FINSH:	DWG NO: MSD-08XX5R-010	2 OF 2

REV: A	UNIT mm	SCALE 1=1	QUALITY SYMBOLS
--------	---------	-----------	-----------------