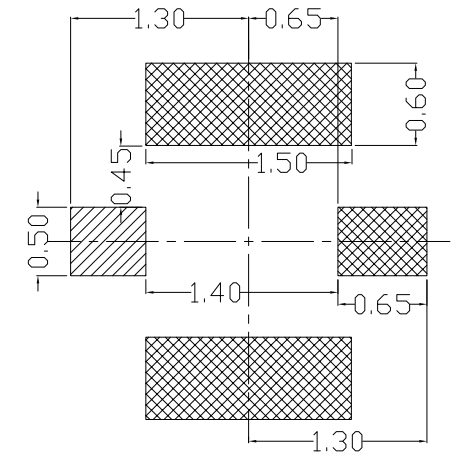
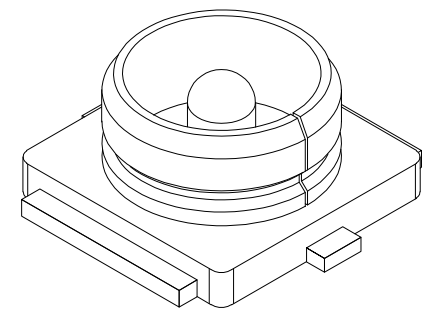
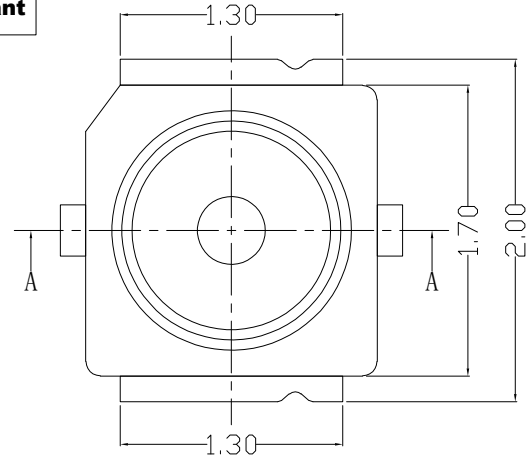
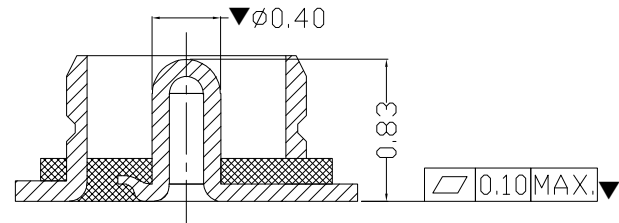


RoHS Compliant

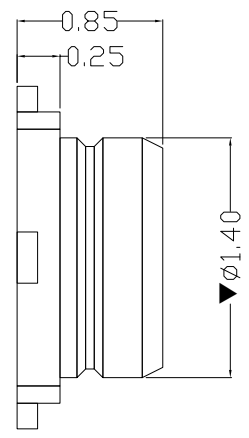
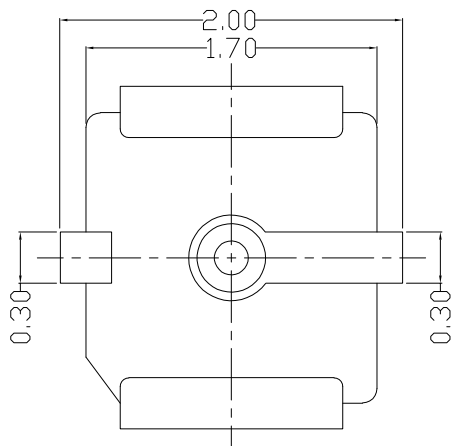
REVISIONS			
REV.	DESCRIPTION	DATE	DESIGN



RECOMMENDED PCB LAYOUT



Section:A-A



NOTE: UNLESS OTHERWISE SPECIFIED

1. DIMENSION SHALL BE INTERPRETED PER ANSI Y14.5M-1994.
2. DIMENSION MARKED WITH "▼" SHOULD SPECIFIED ON INSPECTION PLAN.
3. CONTACT RETENTION FORCE: 0.2 N MIN.
4. CONTACT MATERIAL: COPPER ALLOY.
5. INSULATOR: HIGH TEMPERATURE PLASTIC UL94 V-0.
6. LOW PROFILE: 1.5MM MAX, MATING HEIGHT.
7. APPLICATION FREQUENCY UP TO 6G HZ.

WEIGHT: 0.0054g

Bestcreate Technology Limited

TOLERANCES UNLESS OTHERWISE SPECIFIED:					
X.	±	0.30	X.*	±	3*
.X	±	0.15	.X*	±	2*
.XX	±	0.10	.XX*	±	1*
Website: www.bsc-elec.com					
Email: bestcreate@bsc-elec.com					

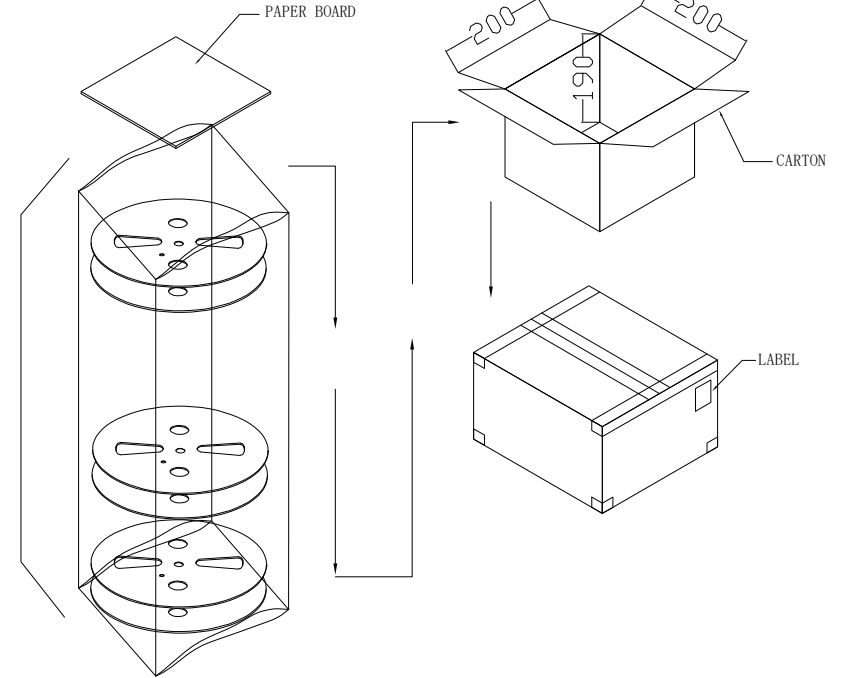
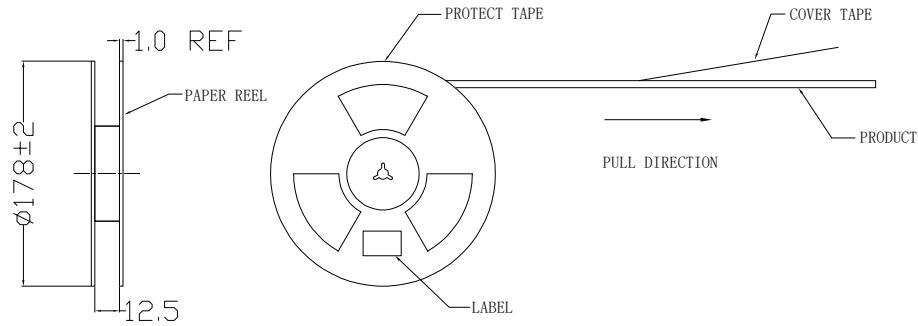
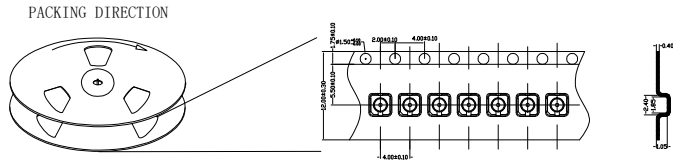
DESIGN:	DATE:
I. L	2017. 3. 1
CHECKED:	DATE:
C. W	2017. 3. 1
APPROVED:	DATE:
C. W	2017. 3. 1

TITLE:		
RF HEADER (MHF III Receptacle)		
MATERIAL:	PART NO:	SIZE:
	RF3006-A001	A4
FINISH:	DWG NO:	SHEET
	RF3006-A001	1 OF 2

REV:	UNIT	SCALE	QUALITY SYMBOLS
A	mm	1=1	

RoHS Compliant

REVISIONS			
REV.	DESCRIPTION	DATE	DESIGN



1: INFORMATIONS OF THE PACKING

PART NUMBER	Q`TY/REEL	Q`TY/CARTON
20369-001E	3000pcs	30000pcs

Bestcreate Technology Limited

TOLERANCES UNLESS OTHERWISE SPECIFIED:

X.	±	0.30	X.*	±	3*
.X	±	0.15	.X*	±	2*
.XX	±	0.10	.XX*	±	1*

DESIGN: I. L
DATE: 2017. 3. 1

CHECKED: C. W
DATE: 2017. 3. 1

APPROVED: C. W
DATE: 2017. 3. 1

TITLE: RF HEADER(MHF III Receptacle)

MATERIAL: PART NO: RF3006-A001
SIZE: A4

FINISH: DWG NO: RF3006-A001
SHEET 2 OF 2

REV: A
UNIT: mm
SCALE: 1=1
QUALITY SYMBOLS:

Website: www.bsc-elec.com
Email: bestcreate@bsc-elec.com