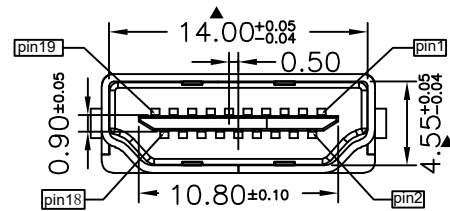
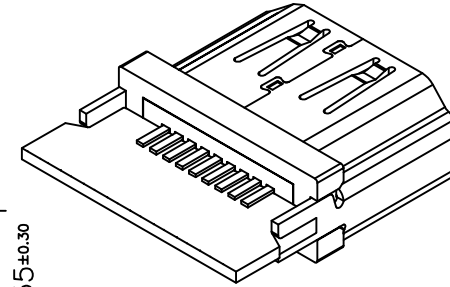
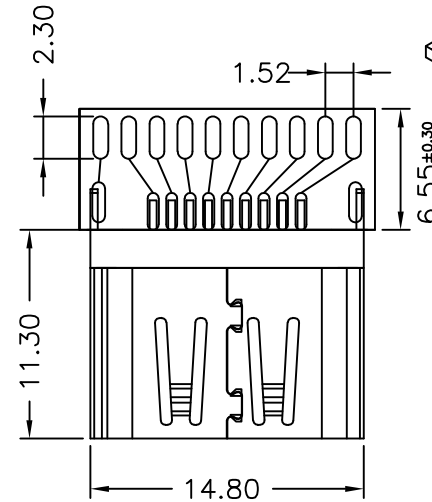
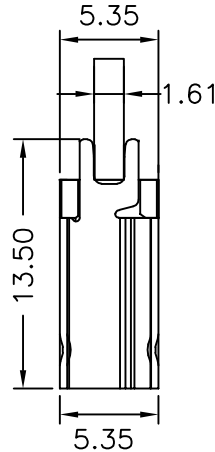
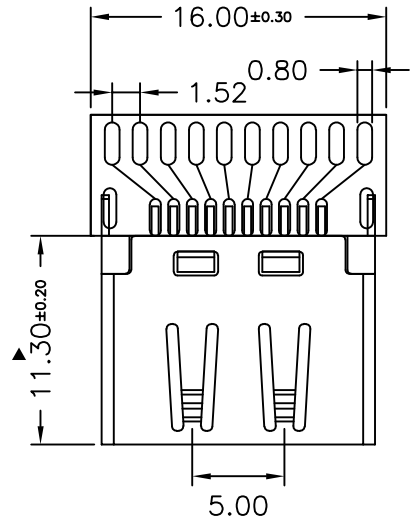


RoHS Compliant

REVISIONS			
REV.	DESCRIPTION	DATE	DESIGN



PART NO. INFORMATION

HD01-A F X X 5 T - 001-V5

PORT TYPE A: TYPE A	PACKAGE T: TRAY
GENDER F: FEMALE M: MALE	HOUSING COLOR 2: WHITE 5: BLACK 9: NATURE
CONTACT PLATED 1: GOLD FLASH 2: GOLD 3U" 3: GOLD 5U" 4: GOLD 10U" 5: GOLD 15U" 6: GOLD 30U"	HOUSING MATERIAL A: LCP B: PBT C: PA9T D: PA6T E: PA46 F: PA66

NOTES:

1. MATERIAL: SHELL: COPPER ALLOY, SPCC. TERMINAL: H65, HOUSING: LCP.
2. PLATING: SHELL: G/F, TERMINAL: AU 1U.
3. PACKAGE: TRAY.

Bestcreate Technology Limited

TOLERANCES UNLESS OTHERWISE SPECIFIED:

X.	± 0.150	X.*	± 5"
.X	± 0.1	.X*	± 2"
.XX	± 0.08	.XX*	± 1"

Tel/Whatsapp: 0086-13712299763
Skype: belle.wu3340

DESIGN: I. L	DATE: 2017. 3. 1
CHECKED: C. W	DATE: 2017. 3. 1
APPROVED: C. W	DATE: 2017. 3. 1

TITLE: HDMI 19P AF 19+1 WITH PCB		
MATERILA: FINSH:	PART NO: HD01-AFXX5T-001-V5	SIZE: A4
	DWG NO: HD01-AFXX5T-001-V5	

REV: A	UNIT: mm	SCALE: 1=1	QUALITY SYMBOLS
--------	----------	------------	-----------------