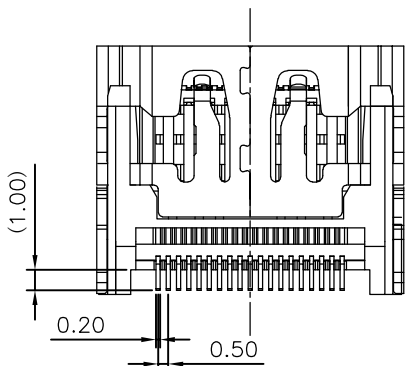
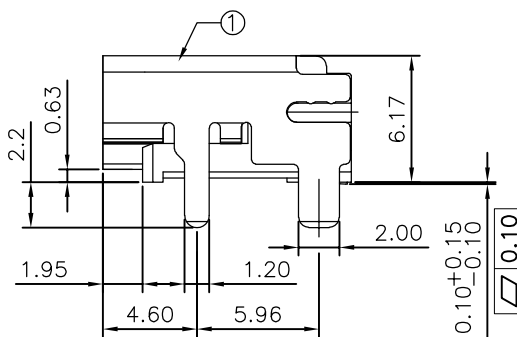
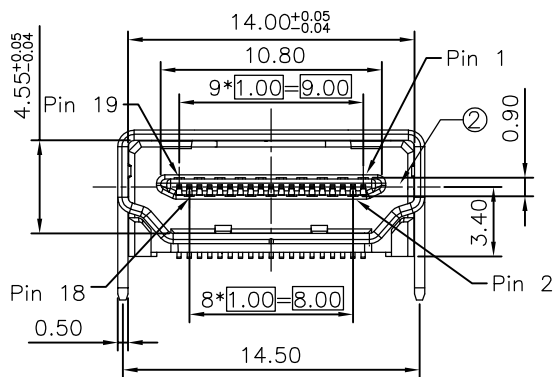
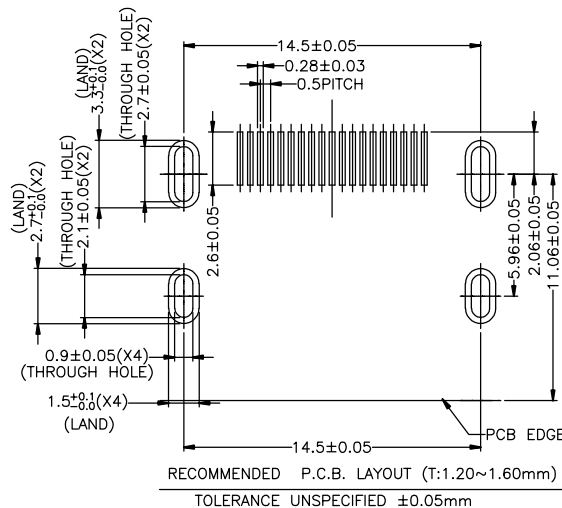
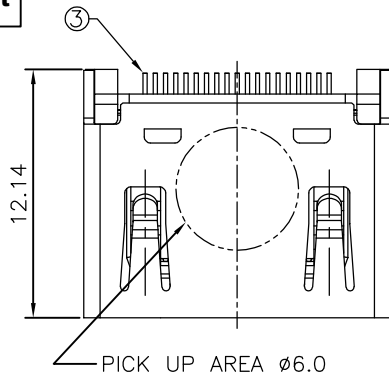


RoHS Compliant



| REVISIONS |             |      |        |
|-----------|-------------|------|--------|
| REV.      | DESCRIPTION | DATE | DESIGN |
|           |             |      |        |

**SPECIFICATIONS**

1. OPERATING CURRENT: 0.5A MAX.
2. OPERATION TEMPERATURE: -25°C TO +85°C
3. DIELECTRIC WITHSTANDING VOLTAGE:
  - 500Volts AC BETWEEN ADJACENT TERMINAL (UNMATE)
  - 300Volts AC BETWEEN ADJACENT TERMINAL (MATE)
4. INSULATION RESISTANCE:
  - 100Mohm MIN. (UNMATED); 10Mohm MIN. (MATED)
5. HDMI SPECIFICATION COMPLIANCE

**PART NO. INFORMATION**

**HD01-A F X X 5 R - 007**

- PORT TYPE**  
A: TYPE A
- GENDER**  
F: FEMALE  
M: MALE
- CONTACT PLATED**  
1: GOLD FLASH  
2: GOLD 3U''  
3: GOLD 5U''  
4: GOLD 10U''  
5: GOLD 15U''  
6: GOLD 30U''
- PACKAGE**  
R: TAPE REEL
- HOUSING COLOR**  
2: WHITE  
5: BLACK  
9: NATURE
- HOUSING MATERIAL**  
A: LCP B: PBT  
C: PA9T D: PA6T  
E: PA46 F: PA66

| ITEM | NAME     | Q'TY | NOTES   |
|------|----------|------|---|
| 3    | CONTACTS | 19   | COPPER ALLOY, GOLD PLATED OVER NICKEL ON CONTACT AREA AND 100U" MIN. TIN PLATED OVER NICKEL ON SOLDER TAILS |
| 2    | HOUSING  | 1    | THERMOPLASTIC UL94V-0   |
| 1    | SHELL    | 1    | COPPER ALLOY, NICKEL PLATED   |

**Bestcreate Technology Limited**

REV: A UNIT mm SCALE 1=1 QUALITY SYMBOLS

TOLERANCES UNLESS OTHERWISE SPECIFIED:  
 X. ± 0.35 X.' ± 2'  
 .X ± 0.25 .X' ± 1'  
 .XX ± 0.15 .XX' ± 0.5'  
 .XXX ± 0.10  
 Website: [www.bsc-elec.com](http://www.bsc-elec.com)  
 Email: [bestcreate@bsc-elec.com](mailto:bestcreate@bsc-elec.com)

DESIGN: I. L DATE: 2017/5/3  
 CHECKED: C. W DATE: 2017/5/3  
 APPROVED: C. W DATE: 2017/5/3

TITLE: HDMI A TYPE, R/A SMT CONNECTOR  
 MATERILA: PART NO: HD01-AFXX5R-007 SIZE: A4  
 FINSH: DWG NO: HD01-AFXX5R-007 SIZE: 1 OF 1