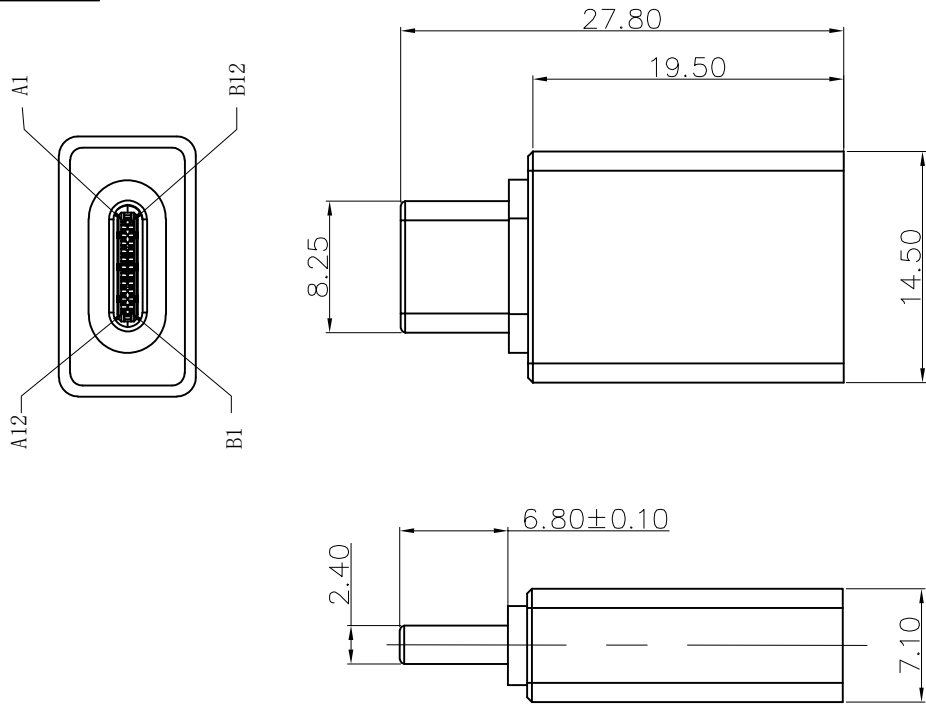
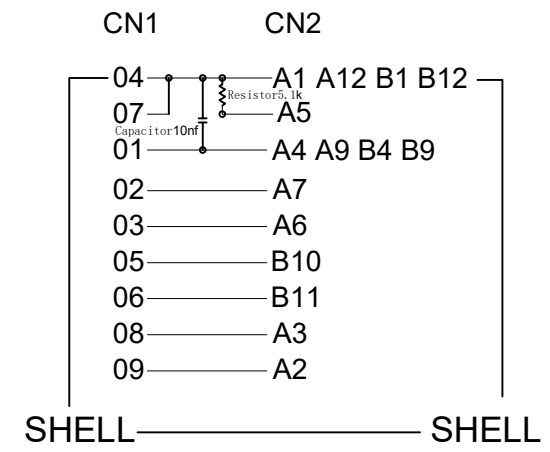


RoHS Compliant

REVISIONS			
REV.	DESCRIPTION	DATE	DESIGN



PIN ASSIGNMENT



NOTE:

- ELECTRICAL CHARACTERISTICS;
 - CONTACT RESISTANCE: 80mΩ Max
 - CONTACT CURRENT RATING: 1.5 A
 - DIELECTRIC WITHSTANDING VOLTAGE: 100 V R. M. S.
 - INSULATION RESISTANCE 100 MEGOHMS Min
 - OPERATING TEMPERATURE: -25° C ~ 75° C
- MECHANICAL CHARACTERISTICS;
 - MATING FORCE: USB CM 5~20N & USB3.0 AF 35N Max.
 - UNMATED FORCE: USB CM 8~20N & USB3.0 AF 10N Min.
- PLATING
 - TERMINAL CONTACT: (SEE TAB) GOLD PLATING
ALL OVER 50u"MIN NICKEL
 - SHELL: 50u"MIN. NICEL ALL OVER

Color
White
Black

3	Shell		USB3.0 AF Plastic cover 28*16.24*8.52mm,white&Black	1PCS
2	PVC		PVC 45P,COLOR: WHITE&Black	0.005KG
1	PCBA		USB3.0 AM TO TYPE CF R: 5.1k C: 10nF,nickel plated	1PCS
Item	Name	Part Number	Description	Q'TY

Bestcreate Technology Limited

TOLERANCES UNLESS OTHERWISE SPECIFIED:

X.	±	0.50	X.'	±	5'
.X	±	0.30	.X'	±	2'
.XX	±	0.10	.XX'	±	1'

Website: www.bsc-elec.com
Email: bestcreate@bsc-elec.com

DESIGN: I.L	DATE: 2017.3.1	TITLE: USB3.0 AF TO USB TYPE CM ADAPTER, L=28mm		
CHECKED: C.W	DATE: 2017.3.1	MATERILA:	PART NO: AD30CMAF-024	SIZE: A4
APPROVED: C.W	DATE: 2017.3.1	FINSH:	DWG NO: AD30CMAF-024	

REV: A	UNIT: mm	SCALE: 1=1	QUALITY SYMBOLS
--------	----------	------------	-----------------