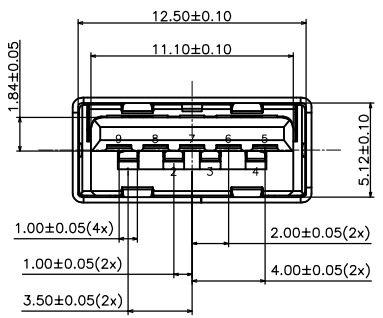
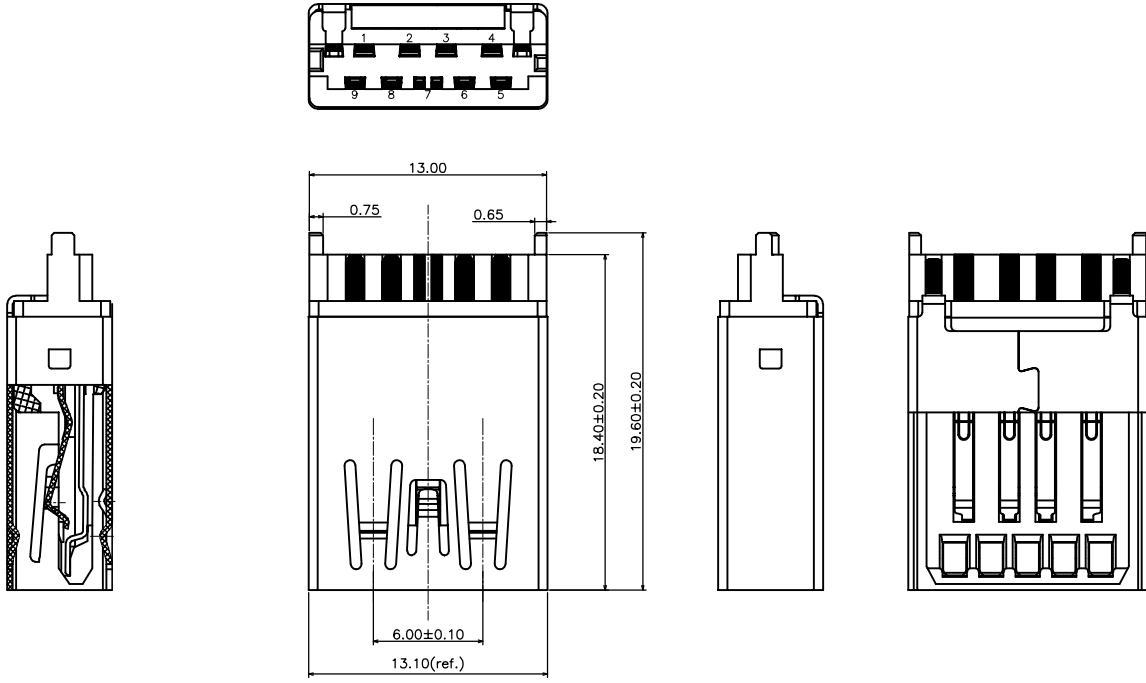


RoHS Compliant

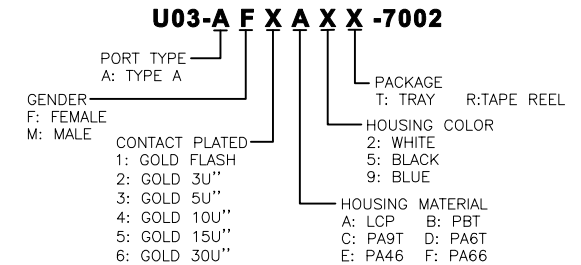
REVISIONS			
REV.	DESCRIPTION	DATE	DESIGN

NOTES:

- 1.MATERIAL:**
 1-1. HOUSING:PBT ,COLOR:BLUE.Ul94-V0.
 1-2. COVER: LCP, COLOR:BACK.Ul94-V0.
 1-3. CONTACT:C5191/C2680(T=0.25mm) ;
 GOLD FLASH ON CONTACT AREA,
 100u" Min. Tin PLATED ON SOLDER TAILS.
 50u" Min. NICKEL PLATED OVERALL.
 1-4. SHELL: SPCC,(T=0.30mm) ;
 100u" Min. NICKEL PLATED OVERALL.
 120u" Min. COPPER BOTTOM PLATED OVERALL.
- 2.ELECTRICAL CHARACTERISTICS:**
 2-1. CURRENT RATING: 1.5A
 2-2. CONTACT RESISTANCE: 30mΩ MAX.
 2-3. INSULATION RESISTANCE: 100MΩ MIN.
 2-4. DIELECTRIC WITHSTAND VOLTAGE: AC 500V/MINUTE.
 2-5. OPERATING TEMPERATURE RANGE: -25°C~+85°C
- 3.MECHANICAL CHARACTERISTICS:**
 3-1. INSERTION FORCE: 3.57Kgf MAX.
 3-2. EXTRACTION FORCE: 1.02Kgf MIN.,4.0Kgf MAX.
 4.DURABILITY: 1500 CYCLES.
 5.SALT FOG TEST:24H.
 6.*⊗" SHOWS FAI MEASUREMENT POINT.
 7. MARKED"▽"AS KEY CONTROL SIZE.



PART NO. INFORMATION



Bestcreate Technology Limited

TOLERANCES UNLESS OTHERWISE SPECIFIED:

X.	± 0.30	X.*	± 3*
.X	± 0.20	.X*	± 2*
.XX	± 0.15	.XX*	± 1*

Website: www.bsc-elec.com

E-mail: bestcreate@bsc-elec.com

DESIGN: I. L DATE: 2017. 3. 1

CHECKED: C. W DATE: 2017. 3. 1

APPROVED: C. W DATE: 2017. 3. 1

TITLE: USB 3.0 A FEMALE FOR WIRE SOLDERING

MATERILA:	PART NO: U03-AFXAXX-7002	SIZE: A4
FINSH:	DWG NO: U03-AFXAXX-7002	SHEET: 1 OF 1

REV: A	UNIT mm	SCALE 1=1	QUALITY SYMBOLS
--------	---------	-----------	-----------------