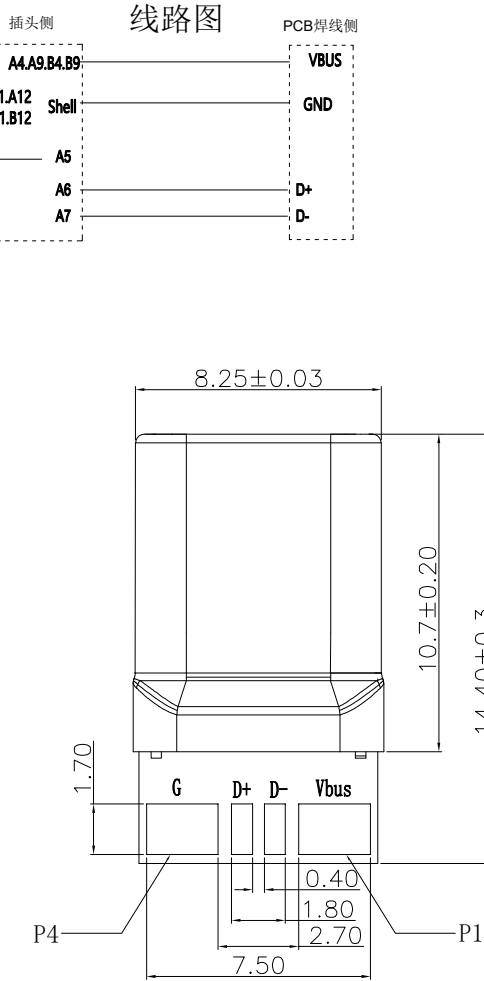
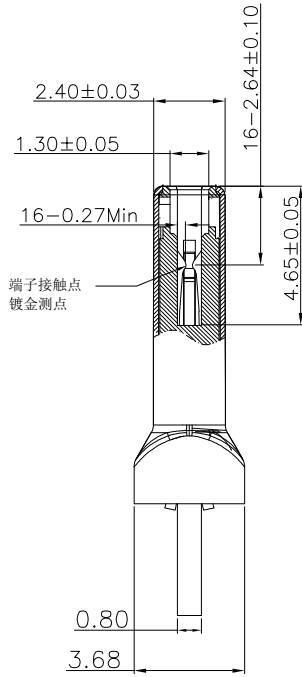
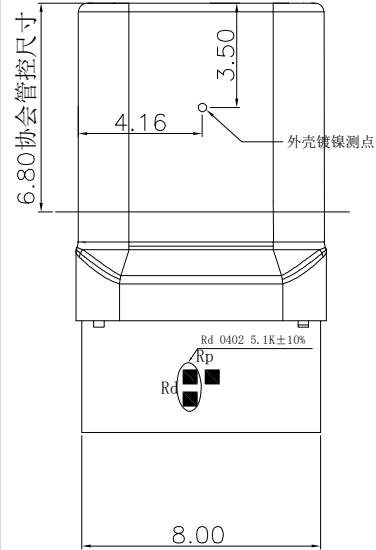
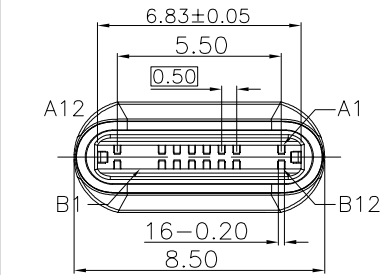


RoHS Compliant



REVISIONS			
REV.	DESCRIPTION	DATE	DESIGN

NOTE:

- MATERIAL:
 - INSULATOR: HIGH TEMPERATURE PLASTIC UL 94 V-0;
 - CONTACT: COPPER ALLOY(T=0.15mm)
 - SHELL: SUS(T=0.17mm)
- ELECTRICAL CHARACTERISTICS:
 - CONTACT RESISTANCE: 40mΩ Max FOR INITIAL. 10mΩ CHANGE AFTER TEST. MEASURE AT 20mV, 100mA.
 - CONTACT CURRENT RATING: 3A FOR VBUS PIN;
 - DIELECTRIC WITHSTANDING VOLTAGE: 100V AC R.M.S.
 - INSULATION RESISTANCE 100MΩ Min
 - OPERATING TEMPERATURE: -40° C ~ 85° C
- MECHANICAL CHARACTERISTICS:
 - MATING FORCE: 5~20 N.
 - UNMATED FORCE: 8~20N BEFORE TEST, 6~20N AFTER TEST
 - DURABILITY: 10,000 CYCLES
- PLATING
 - TERMINAL CONTACT: See item No
 - SHELL: See item No
 - SALT SPRAY: 48H
- 环保: ROHS-4 无卤 (REACH 加州65) (铅及铅合金少于 90PPM, 镉及镉合金少于5PPM) 禁用邻本二甲酸脂

PART NO. INFORMATION

U06-C M X X 5 T - 042

- PORT TYPE: C: TYPE C
- GENDER: F: FEMALE, M: MALE
- CONTACT PLATED: 1: GOLD FLASH, 2: GOLD 3U'', 3: GOLD 5U'', 4: GOLD 10U'', 5: GOLD 15U'', 6: GOLD 30U''
- PACKAGE: T: TRAY
- HOUSING COLOR: 2: WHITE, 5: BLACK
- HOUSING MATERIAL: A: LCP, B: PBT, C: PA9T, D: PA6T, E: PA46, F: PA66

No.	PART NAME	PART No.	MATERIAL	PLATING	Q' TY
1	Contact	310-20222-B-42	C5191 T=0.20mm	See item No	16
2	Latch	310.20222-B-0N	SUS301T=0.35mm	Solderable nickel plating on welding part 50U ~Min	1
3	Shell	310-10101-B-01	SUS 316L T=0.15mm	See item No	1
4	HOUSING	310-20222-P-01	LCP	Black UL94-V0	1
5	PCB	PCB.YS00008	FR4	UL94-V0	1

Pin	A1		A4	A5	A6	A7	A8	A9			A12
Name	GND		Vbus	CC1	Dp1	Dn1	SBU1	Vbus			GND
Pin	B12		B9	B8	B7	B6	B5	B4			B1
Name	GND		Vbus	SBU2	Dn2	Dp2	CC2	Vbus			GND

Bestcreate Technology Limited

REV: A UNIT mm SCALE 1=1 QUALITY SYMBOLS

TOLERANCES UNLESS OTHERWISE SPECIFIED:
 .X ± 0.25 .X* ± 5*
 .XX ± 0.20 .X* ± 4*
 .XXX ± 0.15 .XX* ± 3*
 Website: www.bsc-elec.com
 Email: bestcreate@bsc-elec.com

DESIGN: I. L DATE: 2022. 5. 13
 CHECKED: C. W DATE: 2022. 5. 13
 APPROVED: C. W DATE: 2022. 5. 13

TITLE: TYPE-C 16PIN 公头 壳长10.7, LCP胶芯黑色, 无EMI. 端子C5191镀金见料号. 壳镀镍 盐雾48H RD5. 1K 4PAD
 MATERIAL: PART NO: U06-CMXX5T-042 SIZE: A4
 FINISH: DWG NO: U06-CMXX5T-042