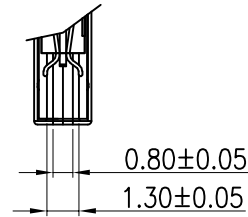
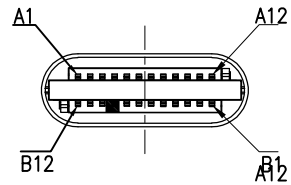


RoHS Compliant

REVISIONS			
REV.	DESCRIPTION	DATE	DESIGN

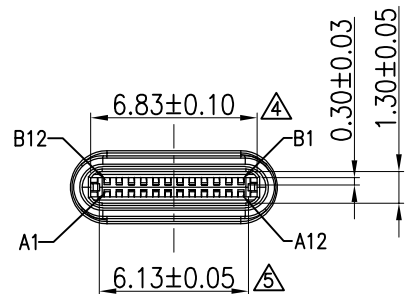
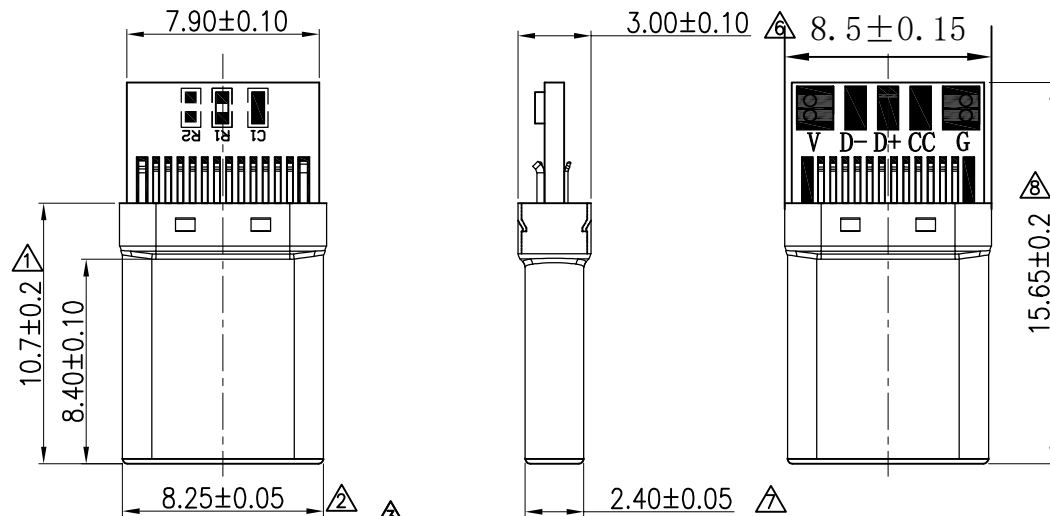


引脚名称	功能描述
GND	电源地, 接电源的负极
A5	CC定义角
A6	D+, 接USB2.0数据的正极
A7	D-, 接USB2.0数据的负极
VCC	电源正, 接电源的正极

C1 (0402); 10nF 电源A4 A9 B4 B9 接地A1 A12 B1 B12 铁壳

电气性能:

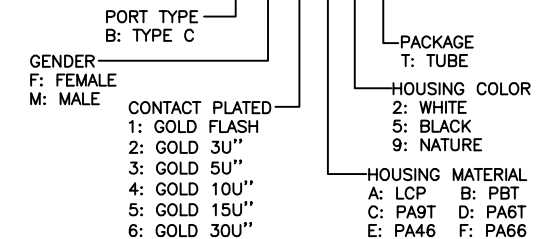
- 1.1 额定电压: 5V DC(RMS)。
- 1.2 额定电流(Min):1-2.0A。
- 1.3 绝缘(Min):1000M欧。
- 1.4 端子接触抗组(Max):40毫欧。
- 1.5 工作温度:-25° --80C° 。
- 1.6 插入力(Min):5-20N。
- 1.7 拔出力(min):8-20N。
- 1.8 插拔寿命:30次/分钟,10000 CYCLES。
- 1.9 R1:空; R2: 空; C1: 电容10NF。
2. 盐雾测试: 5%盐水, 35°C. 24小时表面无氧化。
3. P. C. Board 厚度: 0.8±0.05mm
4. 所用材质须符合RoHS要求。



NO.	DESCRIPTION	QTY.	MATERIAL	TREATMENT
④	LATCH	1	SUS301	NICKEL PLATED WITH LEAD FREE TIN ON THE SOLDER.
③	CONTACT	24	C5191	NICKEL UNDERPLATING OVER ALL,GOLD PLATING 5u AT CONTACT AREA,LEAD FREE TIN ALLOY AT TERMINATION.
②	SHELL	1	SUS316	NICKEL PLATING
①	HOUSING	4	LCP	MOLED COLOR:BLACK/WHITE

PART NO. INFORMATION

**U06-C M X X 5 T - 028**



**Bestcreate Technology Limited**

TOLERANCES UNLESS OTHERWISE SPECIFIED:

X.	± 0.50	X.'	± 3'
.X	± 0.30	.X'	± 2'
.XX	± 0.20	.XX'	± 1'

DESIGN: DATE:

I. L 2017. 3. 1

CHECKED: DATE:

C. W 2017. 3. 1

APPROVED: DATE:

C. W 2017. 3. 1

TITLE:

**USB TYPE C, C TO C MALE CONN**

MATERIAL:

PART NO:

U06-CMXX5T-028

SIZE: A4

FINISH:

DWG NO:

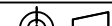
U06-CMXX5T-028

REV: A

UNIT mm

SCALE 1=1

QUALITY SYMBOLS



Website:www.bsc-elec.com

Email:bestcreate@bsc-elec.com

1

2

3

4

5

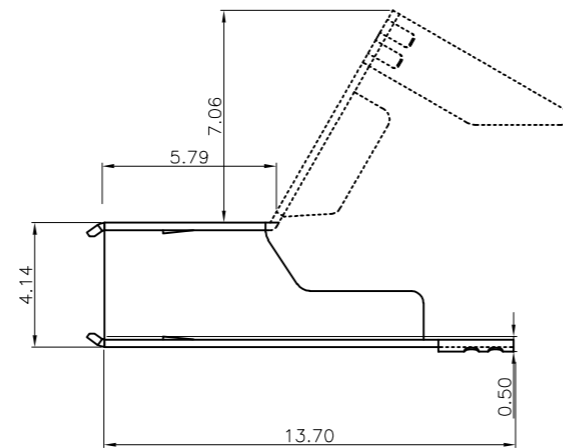
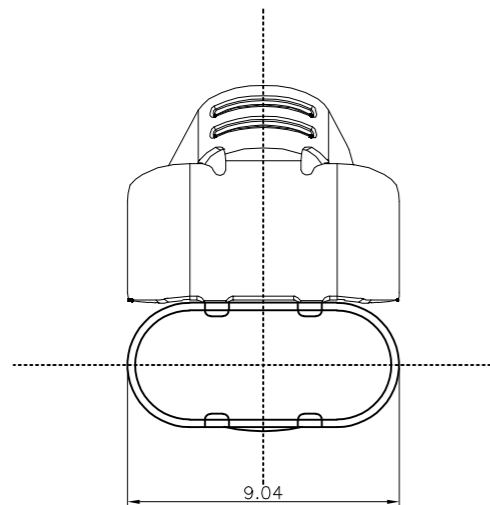
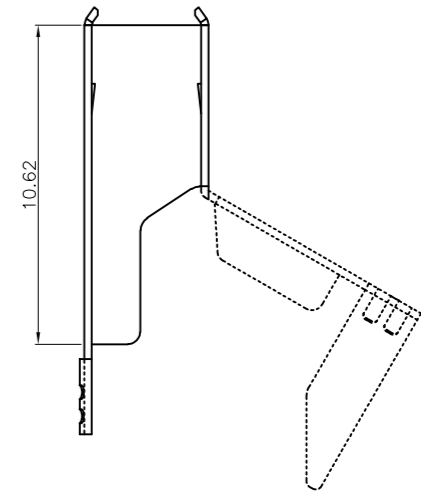
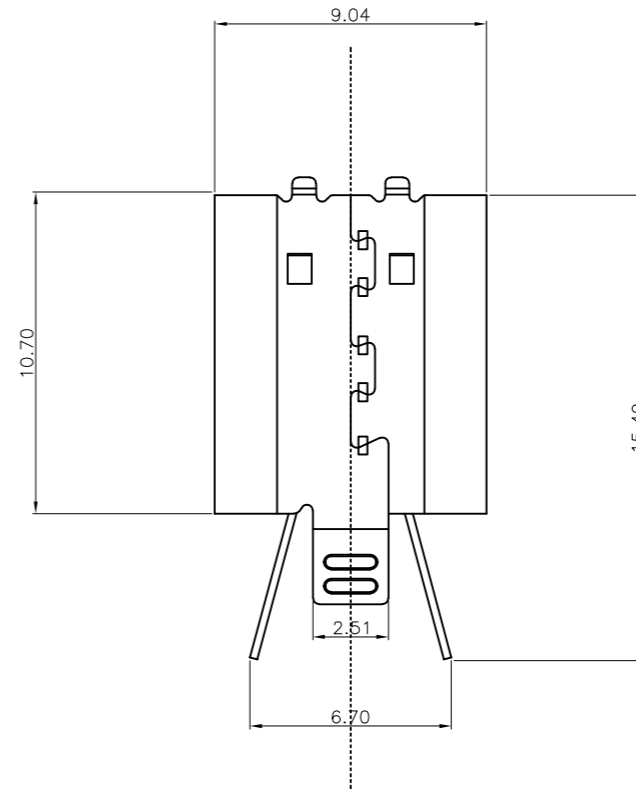
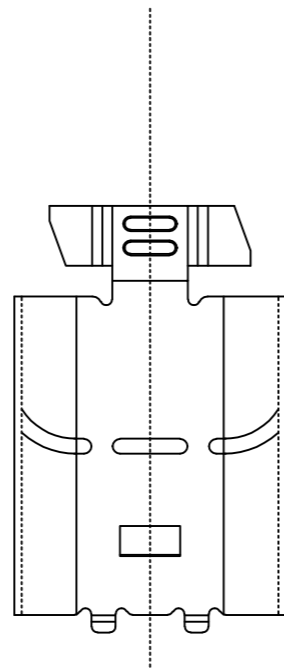
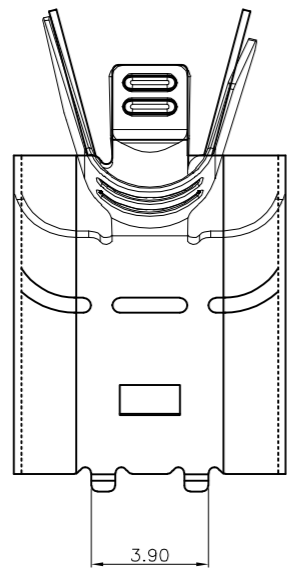
6

7

8

RoHS Compliant

REVISIONS			
REV.	DESCRIPTION	DATE	DESIGN



**Bestcreate Technology Limited**

TOLERANCES UNLESS OTHERWISE SPECIFIED:

X.	±	0.50	X'	±	3'
.X	±	0.30	.X'	±	2'
.XX	±	0.20	.XX'	±	1'

Website: [www.bsc-elec.com](http://www.bsc-elec.com)  
 Email: [bestcreate@bsc-elec.com](mailto:bestcreate@bsc-elec.com)

DESIGN:	DATE:
I. L	2017. 3. 1
CHECKED:	DATE:
C. W	2017. 3. 1
APPROVED:	DATE:
C. W	2017. 3. 1

TITLE:		
<b>WIRE CLIP</b>		
MATERILA:	PART NO:	SIZE:
	U06-CMXX5T-028	A4
FINSH:	DWG NO:	
	U06-CMXX5T-028	

REV:	UNIT	SCALE	QUALITY SYMBOLS
A	mm	1=1	