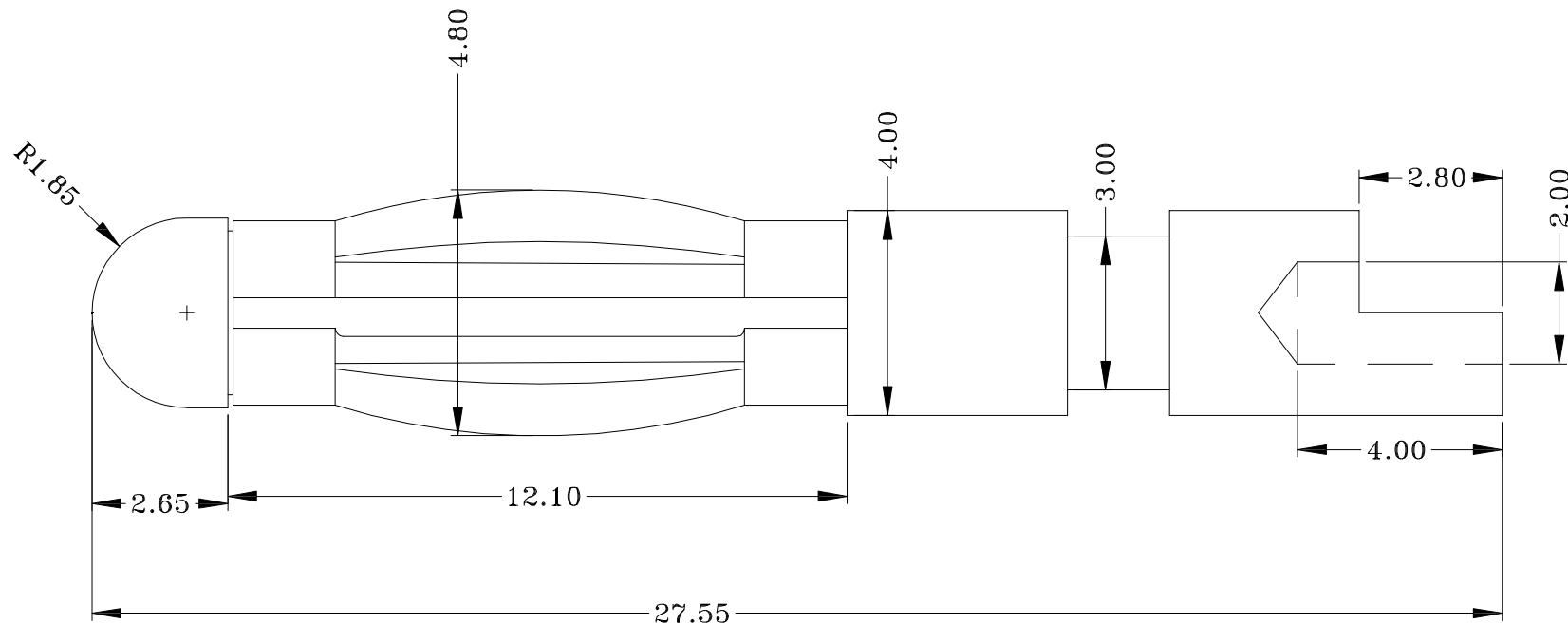


RoHS Compliant

REVISIONS			
REV.	DESCRIPTION	DATE	DESIGN



备注:

- 1、材料: C3602铆料, 镀铜镀镍
- 2、电镀: 表面镍50U"
- 3、环保材料ROHS
- 4、盐雾24H

Bestcreate Technology Limited

TOLERANCES UNLESS OTHERWISE SPECIFIED:

X.	±	0.38	X.'	±	3'
.X	±	0.25	.X'	±	2'
.XX	±	0.15	.XX'	±	1'

Website: www.bsc-elec.com
Email: bestcreate@bsc-elec.com

DESIGN: I. L
DATE: 2017. 3. 1

CHECKED: C. W
DATE: 2017. 3. 1

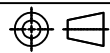
APPROVED: C. W
DATE: 2017. 3. 1

TITLE: 4.0MM BANANA PLUG

MATERILA: PART NO: BP40-001 SIZE: A4

FINSH: DWG NO: BP40-001

REV: A UNIT mm SCALE 1=1 QUALITY SYMBOLS



1

2

3

4

5

6

7

8