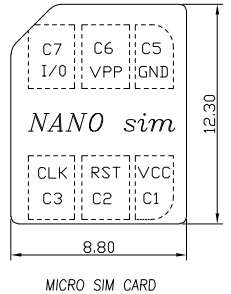
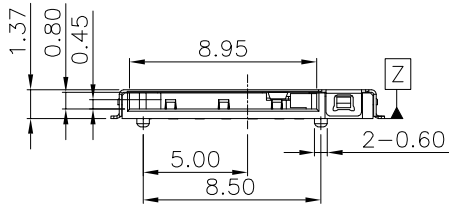
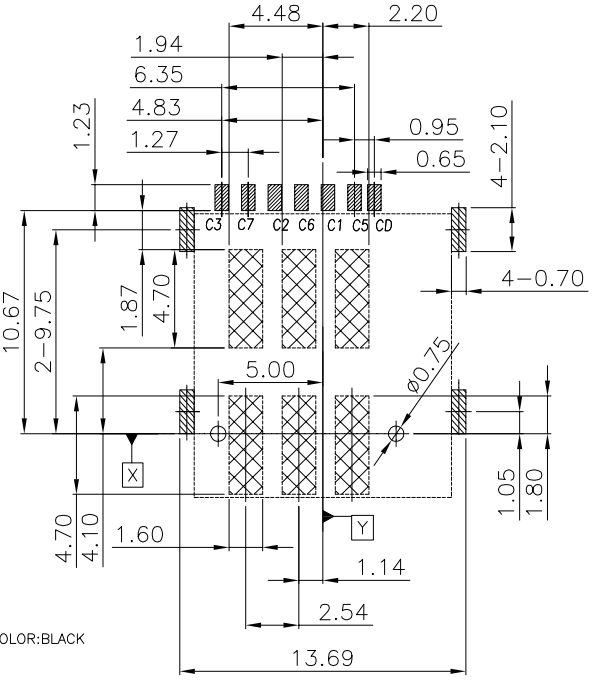
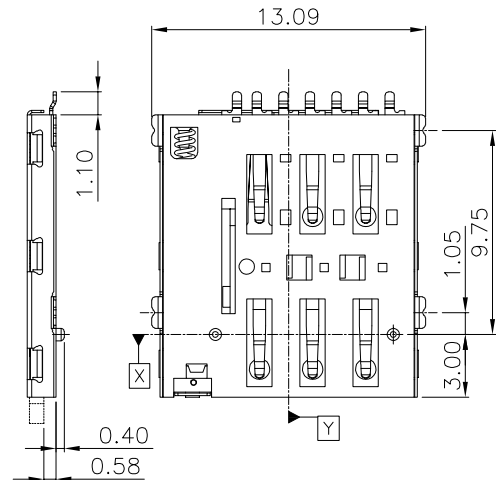
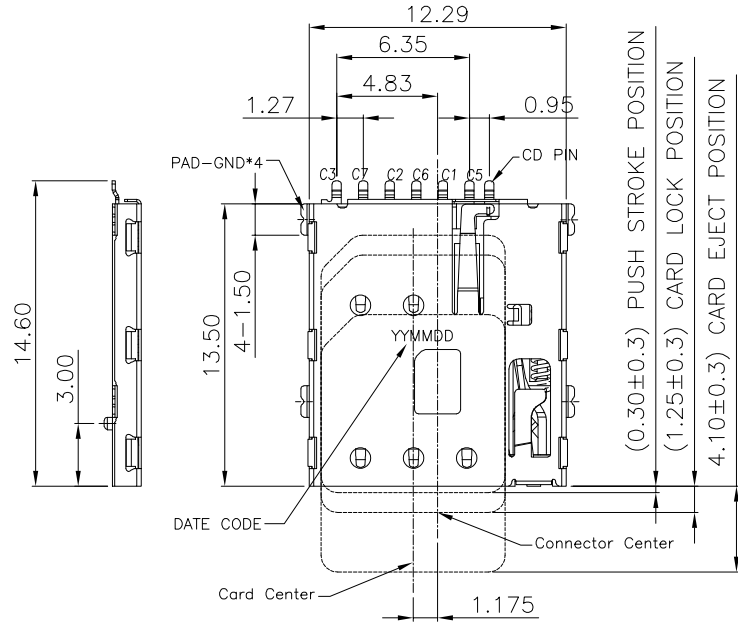


RoHS Compliant

REVISIONS			
REV.	DESCRIPTION	DATE	DESIGN



- NOTES:
- MATERIAL:
    - 1.1 HOUSING:LCP,UL94-V0,COLOR:BLACK
    - 1.2 CONTACT:C5210R-H
    - 1.3 SHELL:SUS304-H
  - FINISH:
    - 2.1 TERMINAL:30 u" Min,NICKEL PLATED OVERALL
    - 2.2 CONTACT:GOLD FLASH PLATED ON CONTACT AREA; GOLD FLASH PLATED ON SOLDER TAILS;
  - ELECTRICAL CHARACTERISTICS
    - RATING CURRENT : 0.5A MAX.
    - CONTACT RESISTANCE :30 mΩ MAX
    - DIELECTRIC WITHSTANDING : 500V AC MIN.
    - INSULATION RESISTANCE: 1000 MΩ MIN.
  - MECHANICAL CHARACTERISTICS
    - MATING CYCLE :3000 CYCLES

PART NO. INFORMATION

**NSIM - 07 X X 5 R - 005**

07:7P

CONTACT PLATED

- 1: GOLD FLASH
- 2: GOLD 3U"
- 3: GOLD 5U"
- 4: GOLD 10U"
- 5: GOLD 15U"
- 6: GOLD 30U"

PACKAGE

- R: TAPE REEL

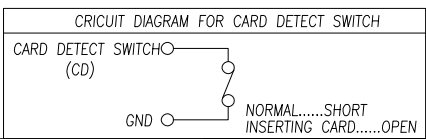
HOUSING COLOR

- 2: WHITE
- 5: BLACK
- 9: NATURE

HOUSING MATERIAL

- A: LCP B: PBT
- C: PA9T D: PA6T
- E: PA46 F: PA66

SIM pin Assignment	
PIN#	Name
C1	VCC
C2	RST
C3	CLK
C5	GND
C6	VPP
C7	I/O



**Bestcreate Technology Limited**

TOLERANCES UNLESS OTHERWISE SPECIFIED:					
.X	±	0.35	X.*	±	5*
.XX	±	0.25	.X.*	±	2*
.XXX	±	0.15	.XX.*	±	1*

Website:www.bsc-elec.com  
Email:bestcreate@bsc-elec.com

DESIGN:	DATE:
I. L	2017. 3. 1
CHECKED:	DATE:
C. W	2017. 3. 1
APPROVED:	DATE:
C. W	2017. 3. 1

TITLE: NANO SIM CARD PUSH PUSH 7PIN 1.37H 带CD PIN(有柱) TYPE3		
MATERIALA:	PART NO:	SIZE:
FINSH:	DWG NO:	1 OF 2
	NSIM-07XX5R-005	A4
	NSIM-07XX5R-005	

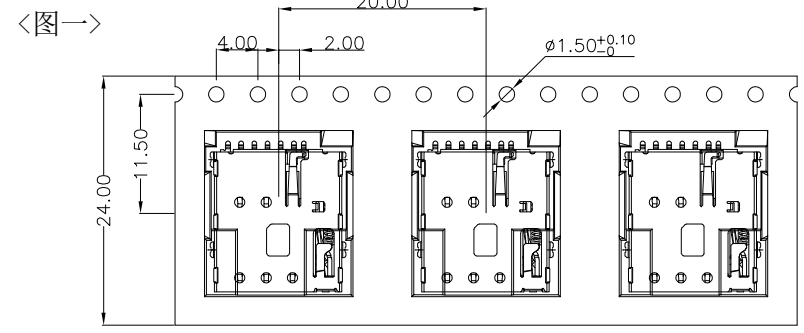
REV: A	UNIT mm	SCALE 1=1	QUALITY SYMBOLS
--------	---------	-----------	-----------------

RoHS Compliant

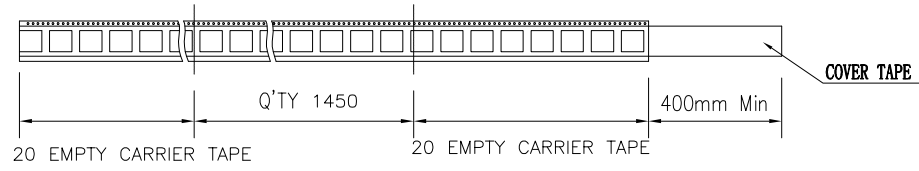
REVISIONS			
REV.	DESCRIPTION	DATE	DESIGN

<TABLE 1> PACKAGING QUANTITY

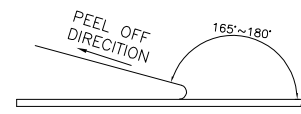
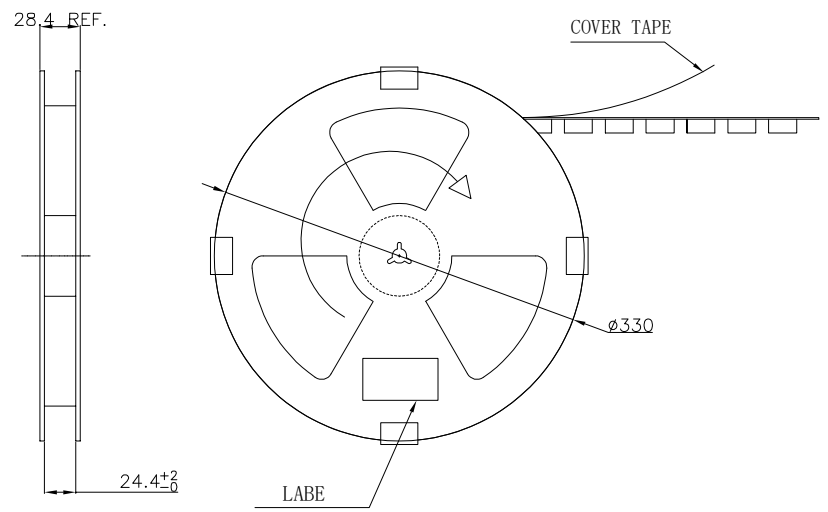
QTY/REEL	REEL/CARTON	QTY/CARTON
1450	10	14500



放料方向  
→



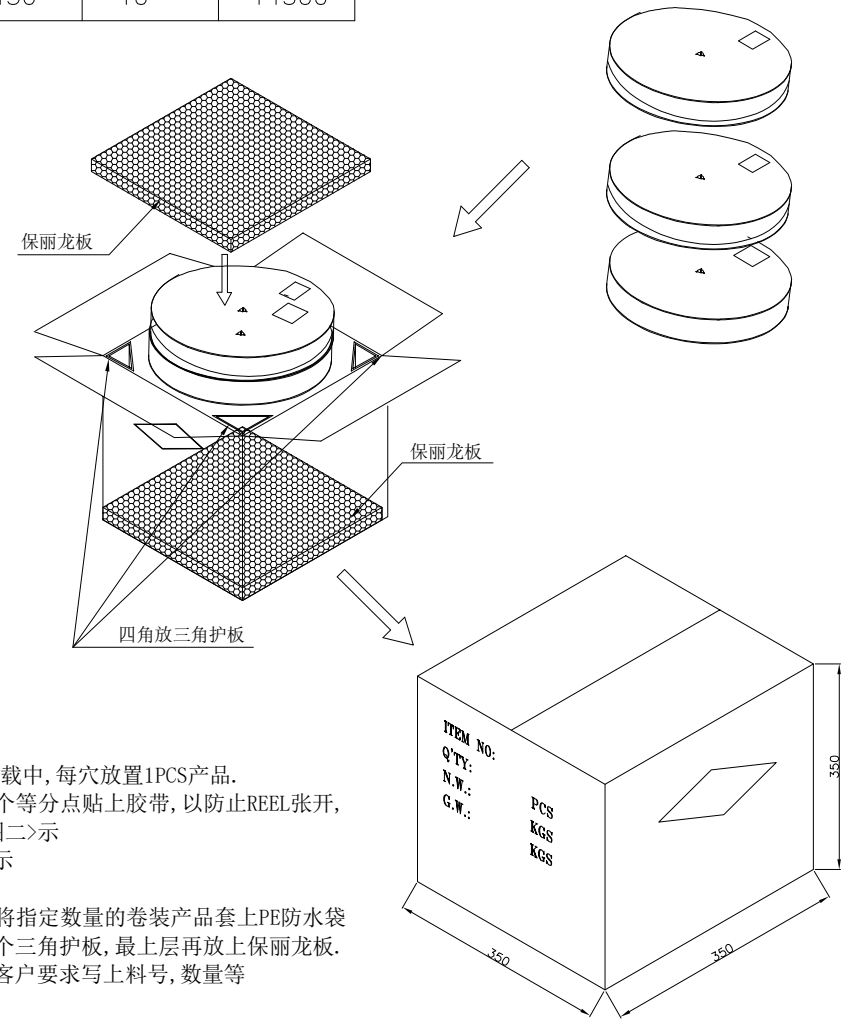
<图二>



NOTE:

- 依<图一>示放置产品于下载中, 每穴放置1PCS产品.
- 包装机包好后, 在REEL的个等分点贴上胶带, 以防止REEL张开, 每REEL贴1PCS标签, 如<图二>示
- 包装数量见如<TABLE 1>示
- 包装成箱见如<图三>示  
箱底放保丽龙板, 再依次将指定数量的卷装产品套上PE防水袋放入箱内, 四角分别放入四个三角护板, 最上层再放上保丽龙板.
- 封箱, 在封好的纸箱上按客户要求写上料号, 数量等

<图三>



**Bestcreate Technology Limited**

TOLERANCES UNLESS OTHERWISE SPECIFIED:	
.X ± 0.35	.X' ± 5'
.XX ± 0.25	.X' ± 2'
.XXX ± 0.15	.X' ± 1'
Website: www.bsc-elec.com	
Email: bestcreate@bsc-elec.com	

DESIGN:	DATE:
I. L	2017. 3. 1
CHECKED:	DATE:
C. W	2017. 3. 1
APPROVED:	DATE:
C. W	2017. 3. 1

TITLE: NANO SIM CARD PUSH PUSH 7PIN 1.37H 带CD PIN(有柱) TYPE3		
MATERILA:	PART NO:	SIZE: A4
	NSIM-07XX5R-005	
FINSH:	DWG NO:	2 OF 2
	NSIM-07XX5R-005	

REV: A	UNIT mm	SCALE 1=1	QUALITY SYMBOLS
--------	---------	-----------	-----------------