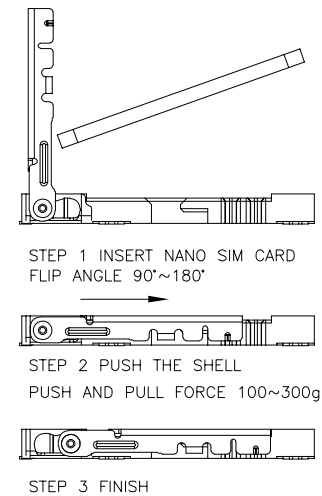
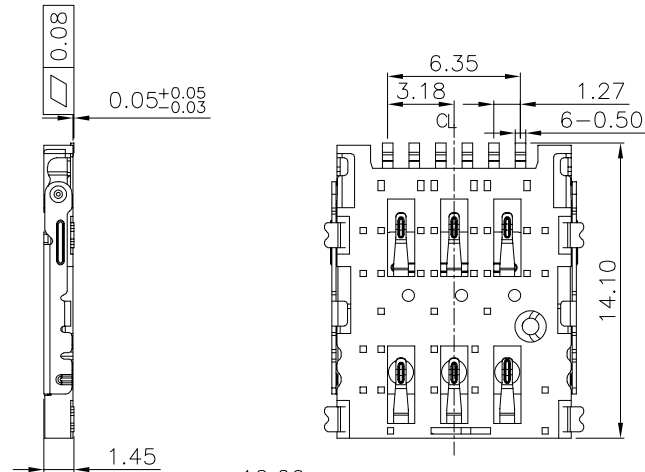
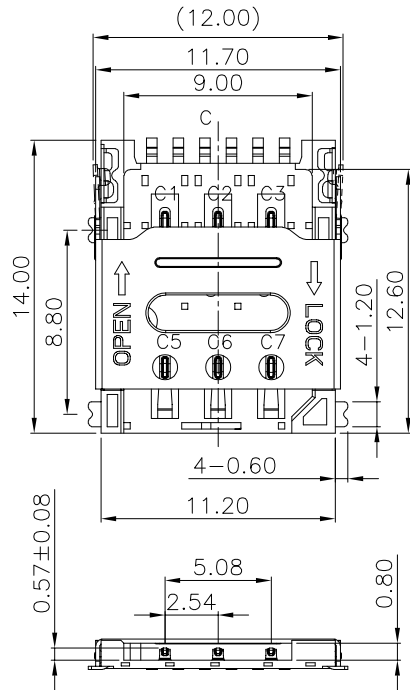


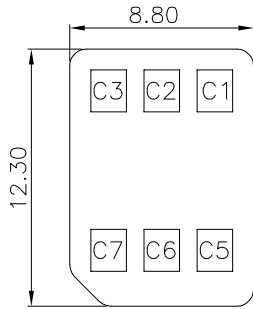
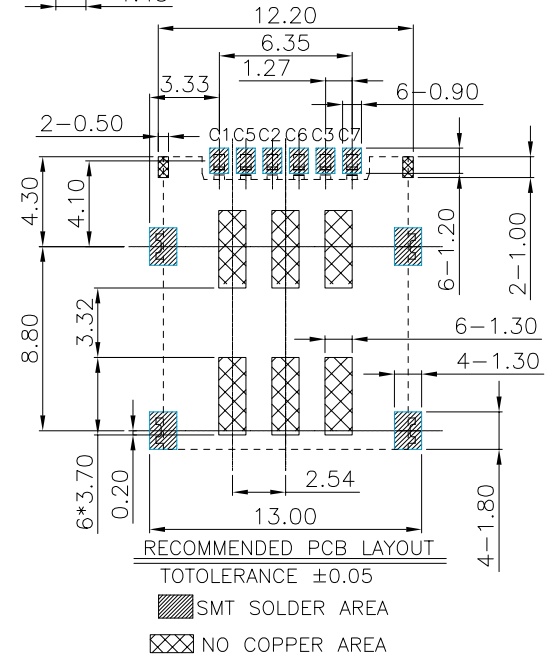
RoHS Compliant

REVISIONS			
REV.	DESCRIPTION	DATE	DESIGN



NOTES:

- 1)材质:  
主体: LCP S475 UL 94V-0  
端子: C5210-EH,T=0.15  
壳子: SUS201-3/4H,T=0.20
- 2)电镀:  
端子:整体镀镍底30u", 触点刷金1u", 焊脚刷金1u"  
外壳:整体表面洗油即可。



PIN NO.	PIN NAME
C1	VCC
C2	RST
C3	CLK
C5	GND
C6	VPP
C7	I/O

PART NO. INFORMATION

**NSIM - 06 X X 5 R - 004**

06:6P	CONTACT PLATED	PACKAGE
1: GOLD FLASH	1: GOLD 3U"	R: TAPE REEL
2: GOLD 5U"	2: GOLD 5U"	HOUSING COLOR
3: GOLD 10U"	3: GOLD 10U"	2: WHITE
4: GOLD 15U"	4: GOLD 15U"	5: BLACK
5: GOLD 30U"	5: GOLD 15U"	9: NATURE
6: GOLD 30U"	6: GOLD 30U"	HOUSING MATERIAL
		A: LCP B: PBT
		C: PA9T D: PA6T
		E: PA46 F: PA66

**Bestcreate Technology Limited**

TOLERANCES UNLESS OTHERWISE SPECIFIED:	
.X ± 0.35	X' ± 5'
.XX ± 0.25	.X' ± 2'
.XXX ± 0.15	.XX' ± 1'

Website: www.bsc-elec.com  
Email: bestcreate@bsc-elec.com

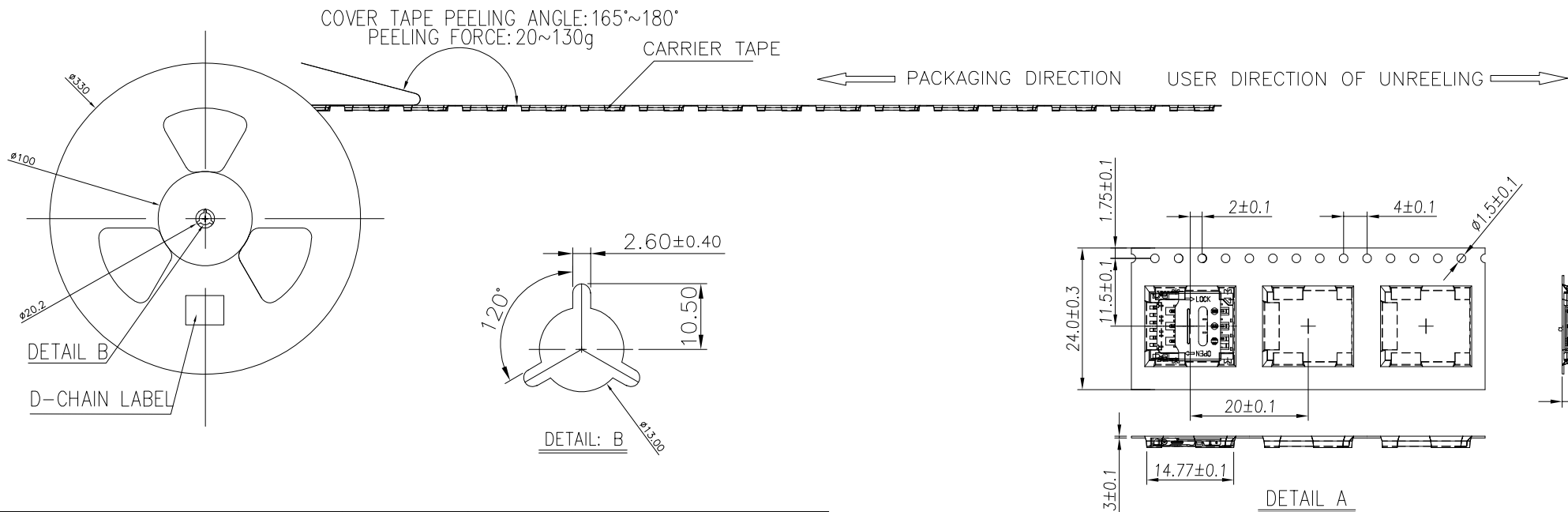
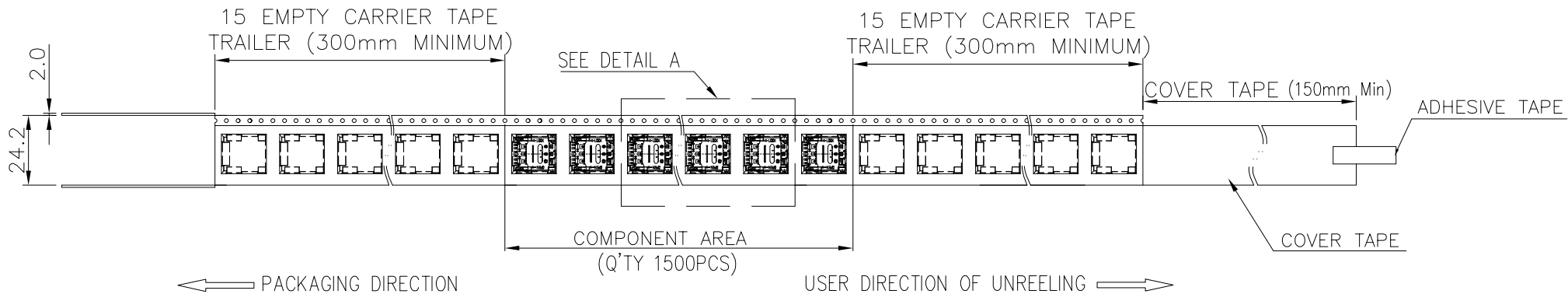
DESIGN: I.L	DATE: 2017.3.1
CHECKED: C.W	DATE: 2017.3.1
APPROVED: C.W	DATE: 2017.3.1

TITLE: NANO SIM 6PIN 1.45H 掀盖式卡座		
MATERIAL: FINSH:	PART NO: NSIM-06XX5R-004 DWG NO: NSIM-06XX5R-004	SIZE: A4 1 OF 2

REV: A	UNIT: mm	SCALE: 1=1	QUALITY SYMBOLS
--------	----------	------------	-----------------

RoHS Compliant

REVISIONS			
REV.	DESCRIPTION	DATE	DESIGN



1	1500	11	XX	16500	350X350X350	
ITEM	PRODUCT No.	Q'TY/REEL	REEL/CARTON	Kg/CARTON	Q'TY/CARTON	CARTON SIZE

**Bestcreate Technology Limited**

TOLERANCES UNLESS OTHERWISE SPECIFIED:

.X	± 0.35	X'	± 5'
.XX	± 0.25	.X'	± 2'
.XXX	± 0.15	.XX'	± 1'

Website: www.bsc-elec.com  
Email: bestcreate@bsc-elec.com

DESIGN:	DATE:
I.L	2017.3.1
CHECKED:	DATE:
C.W	2017.3.1
APPROVED:	DATE:
C.W	2017.3.1

TITLE: NANO SIM 6PIN 1.45H 掀盖式 卡座		
MATERILA:	PART NO:	SIZE:
FINSH:	DWG NO:	2 OF 2
	NSIM-06XX5R-004	A4
	NSIM-06XX5R-004	

REV:	UNIT	SCALE	QUALITY SYMBOLS
A	mm	1=1	