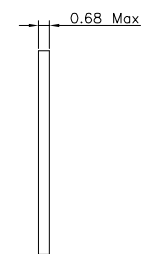
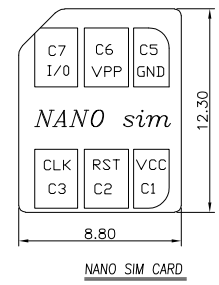
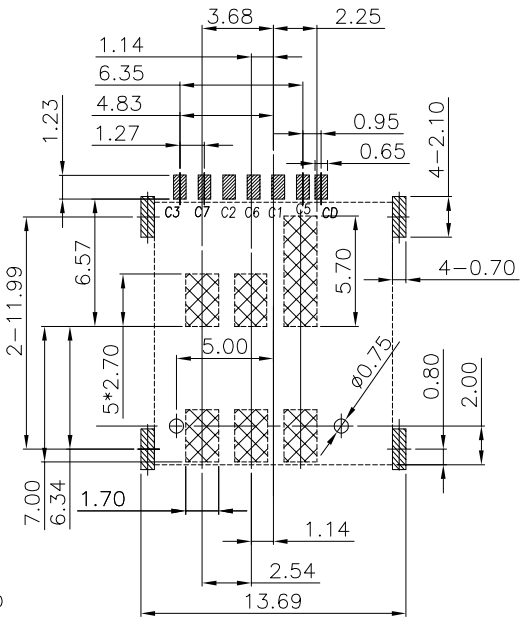
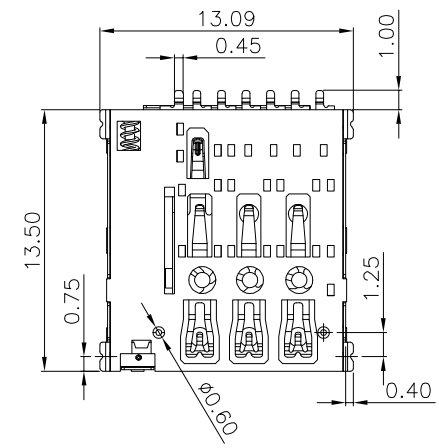
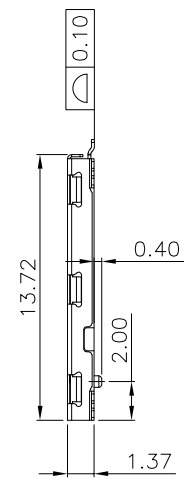
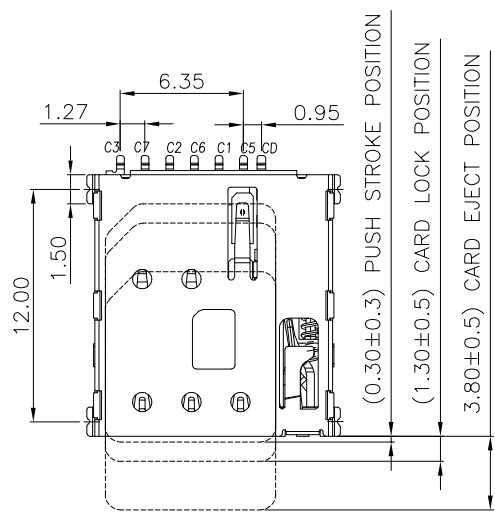


RoHS Compliant

REVISIONS			
REV.	DESCRIPTION	DATE	DESIGN



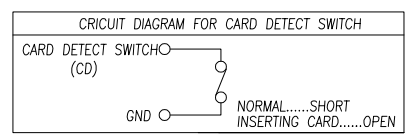
- NOTES:
- MATERIAL:
HOUSING:LCP S475 UL 94V-0
CONTACT:C5210R-H
SHELL:SUS304-H
 - FINISH:
CONTACT:GOLD FLASH PLATED ON CONTACT AREA;
GOLD FLASH PLATED ON SOLDER TAILS,
 - ELECTRICAL CHARACTERISTICS
RATING CURRENT : 0.5A MAX.
CONTACT RESISTANCE :50 mΩ MAX
DIELECTRIC WITHSTANDING : 500V AC MIN.
INSULATION RESISTANCE: 1000 mΩ MIN.
 - MECHANICAL CHARACTERISTICS
MATING CYCLE :3000 CYCLES

PART NO.INFORMATION
NSIM - 07 X X 5 R - 002

- 07:7P
CONTACT PLATED
1: GOLD FLASH
2: GOLD 3U"
3: GOLD 5U"
4: GOLD 10U"
5: GOLD 15U"
6: GOLD 30U"
PACKAGE
R: TAPE REEL
HOUSING COLOR
2: WHITE
5: BLACK
9: NATURE
HOUSING MATERIAL
A: LCP B: PBT
C: PA9T D: PA6T
E: PA46 F: PA66

- PAD AREA
 KEEP OUT AREA
 GND PATTERN ONLY
 NO COPPER AREA (NO Trace&Via&GND)
RECOMMENDED PCB LAYOUT
 GENERAL TOLERANCE ±0.05

SIM pin Assignment	
PIN#	Name
C1	VCC
C2	RST
C3	CLK
C5	GND
C6	VPP
C7	I/O



Bestcreate Technology Limited

TOLERANCES UNLESS OTHERWISE SPECIFIED:	
.X ± 0.35	.X' ± 5'
.XX ± 0.25	.X' ± 2'
.XXX ± 0.15	.X' ± 1'

Website:www.bsc-elec.com
Email:bestcreate@bsc-elec.com

DESIGN:	DATE:
I. L	2017. 3. 1
CHECKED:	DATE:
C. W	2017. 3. 1
APPROVED:	DATE:
C. W	2017. 3. 1

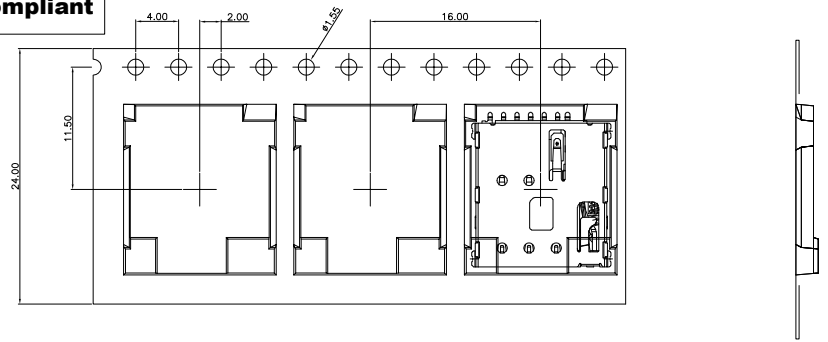
TITLE: NANO SIM CARD P/P 7PIN 1.37H WITH CD PIN(LOCK PIN)REGULAR WAY		
MATERIALA:	PART NO: NSIM-07XX5R-002	SIZE: A4
FINSH:	DWG NO: NSIM-07XX5R-002	1 OF 2

REV: A	UNIT mm	SCALE 1=1	QUALITY SYMBOLS
-----------	------------	--------------	---------------------

RoHS Compliant

REVISIONS			
REV.	DESCRIPTION	DATE	DESIGN

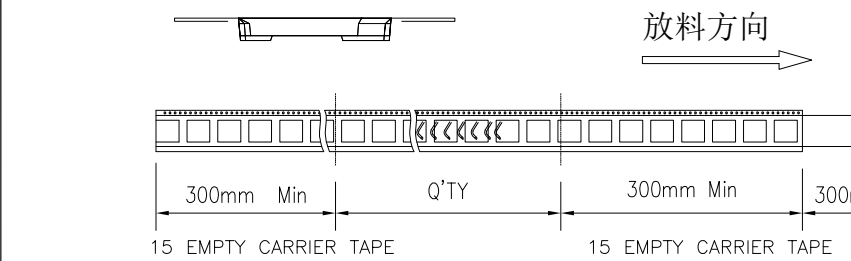
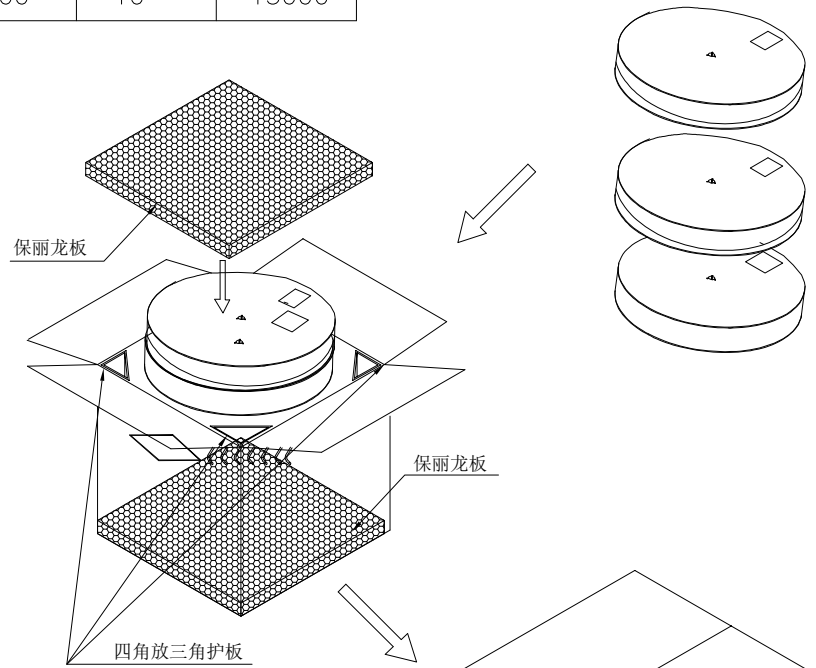
<图一>



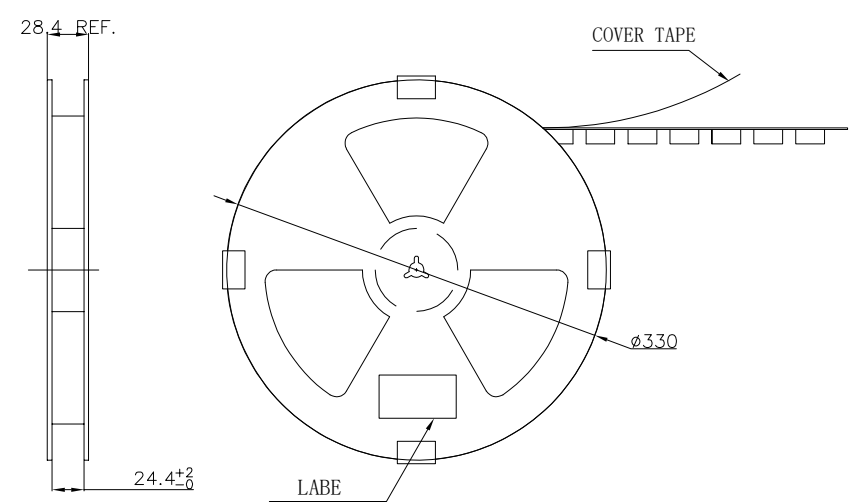
<TABLE 1> PACKAGING QUANTITY

QTY/REEL	REEL/CARTON	QTY/CARTON
1500	10	15000

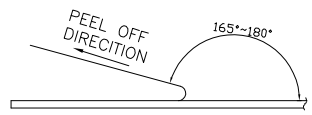
<图三>



<图二>

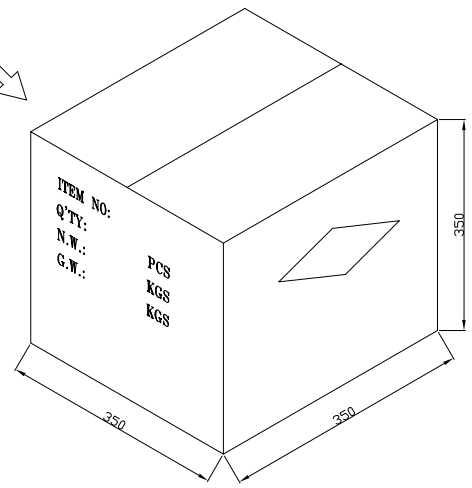


COVER TAPE PEELING FORCE: 20gf~100gf



NOTE:

- 依<图一>示放置产品于下载中, 每穴放置1PCS产品.
- 包装机包好后, 在REEL的个等分点上贴胶布, 以防止REEL张开, 每REEL贴1PCS标签, 如<图二>示
- 包装数量见如<TABLE 1>示
- 包装成箱见如<图三>示
箱底放保丽龙板, 再依次将指定数量的卷装产品放入箱内, 四角分别放入四个三角护板, 最上层再放上保丽龙板.
- 封箱, 在封好的纸箱上按客户要求写上料号, 数量等



Bestcreate Technology Limited

TOLERANCES UNLESS OTHERWISE SPECIFIED:			
.X	± 0.35	.X'	± 5'
.XX	± 0.25	.X'	± 2'
.XXX	± 0.15	.X'	± 1'
Website: www.bsc-elec.com			
Email: bestcreate@bsc-elec.com			

DESIGN:	DATE:
I. L	2017. 3. 1
CHECKED:	DATE:
C. W	2017. 3. 1
APPROVED:	DATE:
C. W	2017. 3. 1

TITLE: NANO SIM CARD P/P 7PIN 1.37H WITH CD PIN (LOCK PIN) REGULAR WAY		
MATERILA:	PART NO:	SIZE: A4
	NSIM-07XX5R-002	
FINSH:	DWG NO:	2 OF 2
	NSIM-07XX5R-002	

REV: A	UNIT mm	SCALE 1=1	QUALITY SYMBOLS
--------	---------	-----------	-----------------