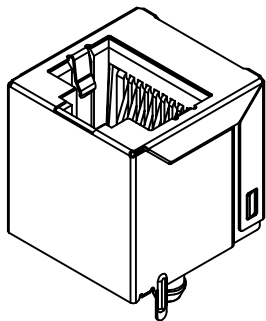
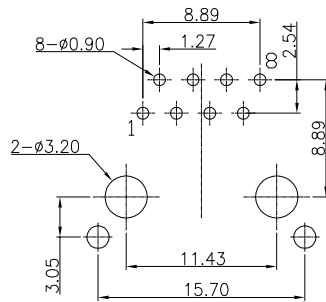
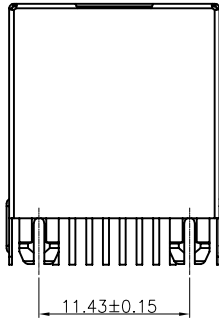
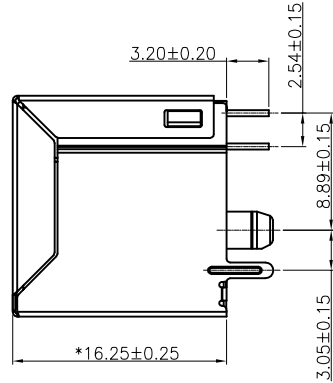
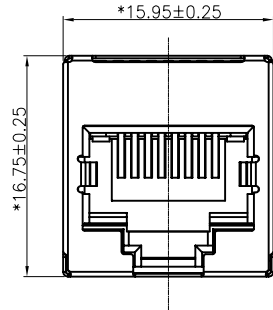


RoHS Compliant

REVISIONS			
REV.	DESCRIPTION	DATE	DESIGN



NOTES:

MATERIAL:

- HOUSING MATERIAL: GLASS FILLED POLYESTER (UL94V-0).
- CONTACT MATERIAL: PHOSPHOR BRONZE Ø0.46mm (C5100).
- PLATING: GOLD PLATING OVER NICKEL.

ELECTRICAL:

- VOLTAGE RATING: 125 VAC RMS.
- CURRENT RATING: 1.5 AMP.
- CONTACT RESISTANCE: 50 MILLIOHMS MAX.
- INSULATION RESISTANCE: 500 MEGOHMS MIN @ 500V DC.
- DIELECTRIC WITHSTANDING RESISTANCE: 1000V AC RMS 50Hz, 1MIN.

MECHANICAL:

- DURABILITY: 750 CYCLES MIN.
- PCB RETENTION PRE-SOLDER: 1 LB MIN.

ENVIRONMENTAL:

- STORAGE: -40°C TO +85°C.
- OPERATION: 0°C TO 70°C.

MATES WITH MODULAR PLUG CONFORMING TO

FCC PART 68, SUBPART F.

PART NO. INFORMATION

RJ01-X50X-007

CONTACT PLATED

- 1: G/F
- 2: AU 3U"
- 3: AU 5U"
- 4: AU 10U"
- 5: AU 15U"
- 6: AU 30U"

PACKAGE

- R: TAPE REEL
- T: TRAY

**Bestcreate Technology Limited**

TOLERANCES UNLESS OTHERWISE SPECIFIED:

.X	± 0.30	X'	± 3'
.XX	± 0.20	.X'	± 2'
.XXX	± 0.10	.XX'	± 1'

Website: [www.bsc-elec.com](http://www.bsc-elec.com)

Email: [bestcreate@bsc-elec.com](mailto:bestcreate@bsc-elec.com)

DESIGN: DATE:

I.L

CHECKED: DATE:

C.W

APPROVED: DATE:

C.W 2017.3.1

TITLE:

RJ45 8P8C CONNECTOR DIP Type

MATERIAL:

PART NO:

RJ01-X50X-007

SIZE: A4

FINISH:

DWG NO:

RJ01-X50X-007

REV:

A

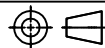
UNIT

mm

SCALE

1=1

QUALITY SYMBOLS



1

2

3

4

5

6

7

8