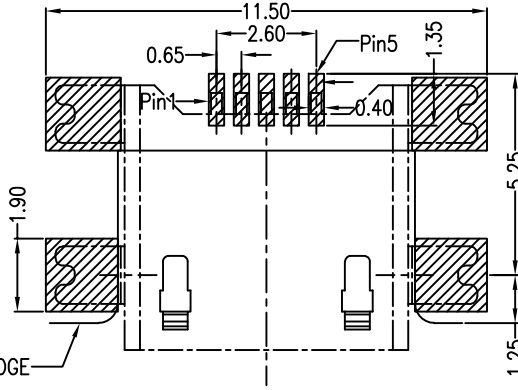
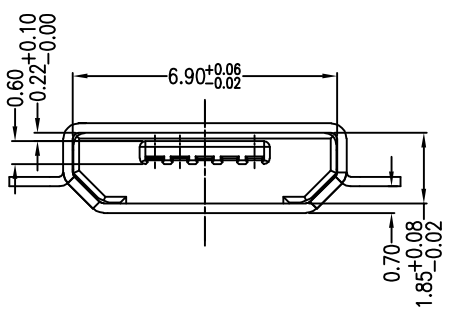
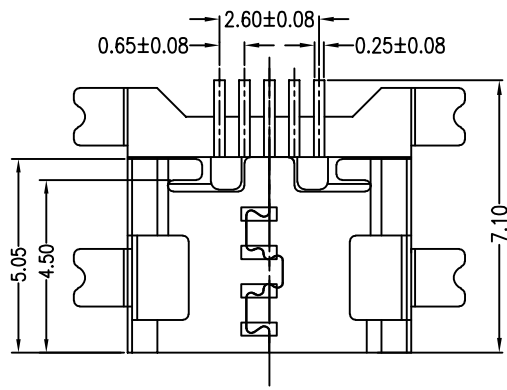
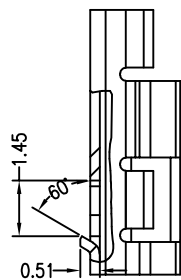
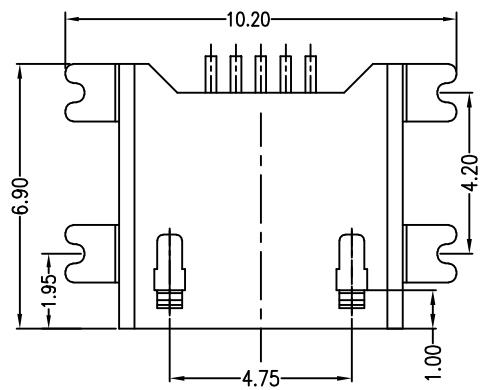
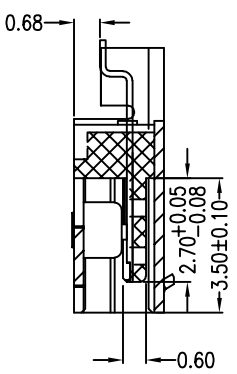
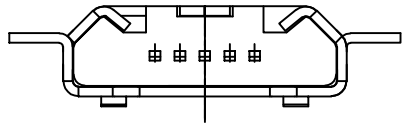


RoHS Compliant

REVISIONS			
REV.	DESCRIPTION	DATE	DESIGN



Note:

1. Material:
  - 1.1 Housing: High temperature thermoplastic with g.f,UL94v-0
  - 1.2 Contact: copper alloy, t=0.15mm
  - 1.3 Shell: copper alloy or SUS, t=0.25mm
2. Specification:
  - 2.1 Current rating: 1,5PIN 1.8A Max/2,3,4PIN 1A Max.
  - 2.2 Dielectric withstanding voltage: 100 V(ac) for 1 min.
  - 2.3 Contact resistance: 30 mΩ Max.
  - 2.4 Insulation resistance: 100 MΩ Min.
  - 2.5 Total mating force: 3.57 Kgf Max.
  - 2.6 Total unmating force: 1.0 Kgf Min.
  - 2.7 Temperature range: -30°C~80°C

PART NO. INFORMATION

**U01-B F X X 5 R - 1101**

- PORT TYPE  
B: TYPE B
- GENDER  
F: FEMALE  
M: MALE
- CONTACT PLATED  
1: GOLD FLASH  
2: GOLD 3U"  
3: GOLD 5U"  
4: GOLD 10U"  
5: GOLD 15U"  
6: GOLD 30U"
- PACKAGE  
R: TAPE REEL
- HOUSING COLOR  
2: WHITE  
5: BLACK  
9: NATURE
- HOUSING MATERIAL  
A: LCP B: PBT  
C: PA9T D: PA6T  
E: PA46 F: PA66

RECOMMENDED PCB LAYOUT  
PCB图仅供参考

**Bestcreate Technology Limited**

TOLERANCES UNLESS OTHERWISE SPECIFIED:

.X	± 0.15	X.	± 3°
.XX	± 0.10	.X°	± 2°
.XXX	± 0.05	.XX°	± 1°

Website: [www.bsc-elec.com](http://www.bsc-elec.com)  
E-mail: [bestcreate@bsc-elec.com](mailto:bestcreate@bsc-elec.com)

DESIGN: I. L	DATE: 2023/4/1
CHECKED: C. W	DATE: 2023/4/1
APPROVED: C. W	DATE: 2023/4/1

TITLE: Micro usb 5s B Type 四脚全贴 (破板0.7 (无导位))		
MATERIAL:	PART NO: U01-BFX5R-1101	SIZE: A4
FINISH:	DWG NO: U01-BFX5R-1101	SHEET: 1 OF 1

REV: A	UNIT mm	SCALE 1=1	QUALITY SYMBOLS
-----------	------------	--------------	--------------------