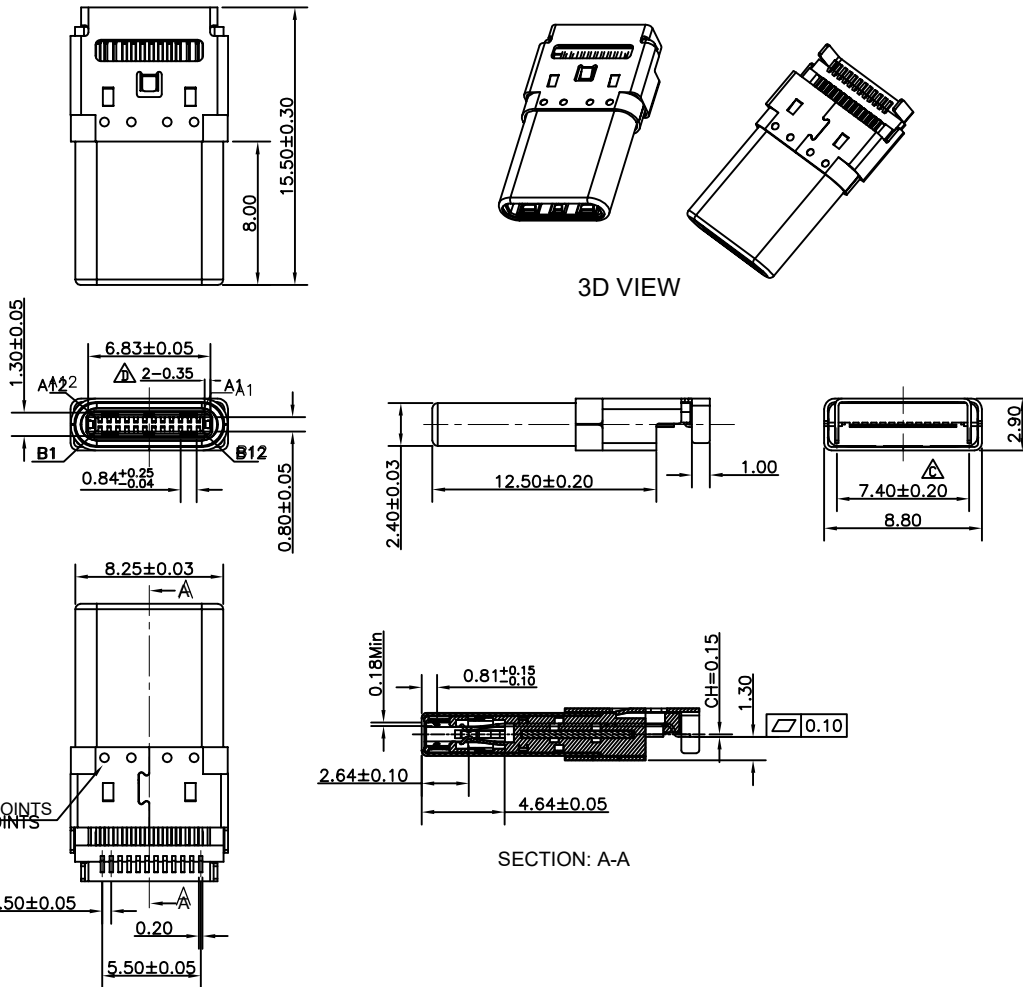


RoHS Compliant

REVISIONS			
REV.	DESCRIPTION	DATE	DESIGN

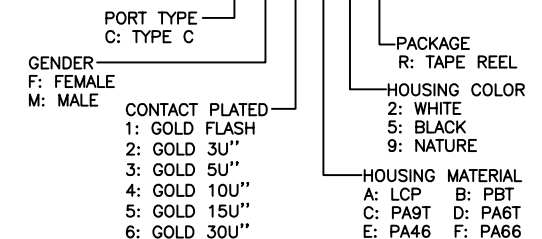


- NOTE:
- Electrical Characteristics:
 - Current Rating: 5A For Pin(A4,A9,B4,B9)
1.25A For Others Pin
 - Insulation Resistance: 100MΩ Min.
 - Contact Resistance: 40 mΩ Max.
 - Dielectric Withstanding Voltage: 100V/AC 1Minute
 - Mechanical Characteristics:
 - Insertion Force: 5~20N
 - Extraction Force: Initial: 8~20N
After durability: 6~20N
 - Durability :10000 Cycles
 - Salt Spray :24H/48H
 - Operating Temperature: -30°C TO +85°C

6	Shield	1	Stainless Steel	Bright Nickel Plating
5	Housing	4	LCP	Color: Black
4	Latch	1	Stainless Steel	
3	Contact	24	Copper Alloy	3u"gold plated on Contact area, Matte Tin plated on Solderails, Nickel underplating over all
2	Emc Spring	2	Stainless Steel	
1	Shell	1	Stainless Steel	Bright Nickel Plating
ITEM	NAME	QTY	MATERIAL	DESCRIPTION

PART NO. INFORMATION

U06-C M X X 5 R - 030



Bestcreate Technology Limited

TOLERANCES UNLESS OTHERWISE SPECIFIED:

X.	± 0.30	X.'	± 10'
.X	± 0.20	.X'	± 8'
.XX	± 0.10	.XX'	± 5'

Website: www.bsc-elec.com
Email: bestcreate@bsc-elec.com

DESIGN: I. L. DATE:

CHECKED: C. W. DATE:

APPROVED: C. W. DATE:

TITLE:

MID MOUNT USB TYPE C MALE CONNECTOR, L=15.5MM

MATERILA:

PART NO: U06-CM2X5R-030

SIZE: A4

FINSH:

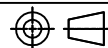
DWG NO: U06-CM2X5R-030

REV: A

UNIT mm

SCALE 1=1

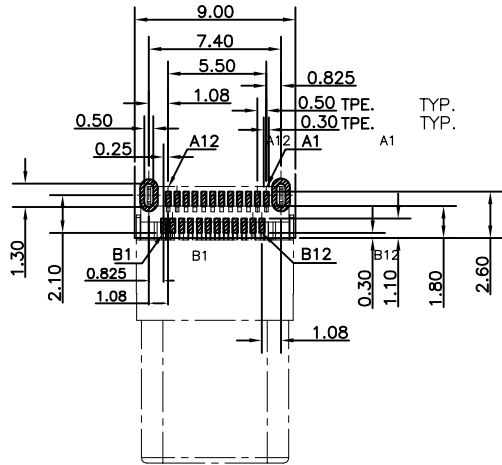
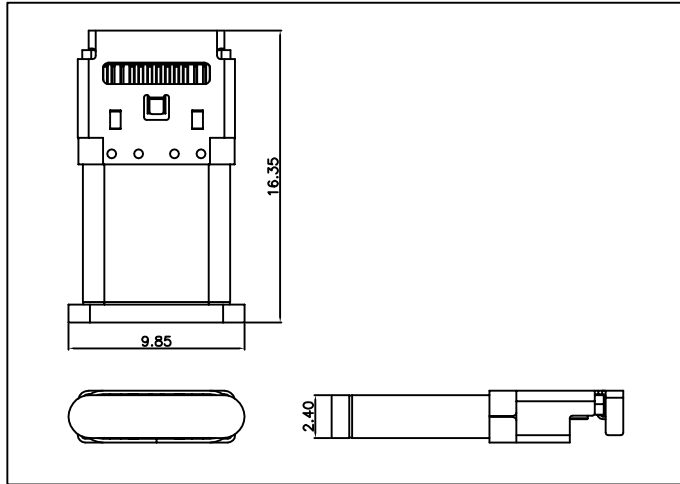
QUALITY SYMBOLS



RoHS Compliant

REVISIONS			
REV.	DESCRIPTION	DATE	DESIGN

WITH CAP



RECOMMENDED P.C.B. LAYOUT
T=0.80 OR 1.00mm
TOLERANCE UNSPECIFIED ±0.05mm

PIN NUMBER	SIGNAL NAME	PIN NUMBER	SIGNAL NAME
B12	GND	A1	GND
B11	SSRXp1	A2	SSTXp1
B10	SSRXn1	A3	SSTXn1
B9	Vbus	A4	Vbus
B8	SBU2	A5	CC1
B7	Dn2	A6	Dp1
B6	Dp2	A7	Dn1
B5	CC2	A8	SBU1
B4	Vbus	A9	Vbus
B3	SSTXn2	A10	SSRXn2
B2	SSTXp2	A11	SSRXp2
B1	GND	A12	GND

Bestcreate Technology Limited

TOLERANCES UNLESS OTHERWISE SPECIFIED:

X.	± 0.30	X.*	± 10°
.X	± 0.20	.X*	± 8°
.XX	± 0.10	.XX*	± 5°

Website: www.bsc-elec.com
Email: bestcreate@bsc-elec.com

DESIGN: I. L DATE:

CHECKED: C. W DATE:

APPROVED: C. W DATE:

TITLE:

MID MOUNT USB TYPE C MALE CONNECTOR, L=15.5MM

MATERILA: PART NO: U06-CM2X5R-030 SIZE: A4

FINSH: DWG NO: U06-CM2X5R-030

REV: A UNIT mm

SCALE 1=1

QUALITY SYMBOLS