

RoHS Compliant

REVISIONS			
REV.	DESCRIPTION	DATE	DESIGN

NOTE:
 1.MATERIAL:
 1.1 INSULATOR:PA9T, UL 94 V-0;COLOR BLACK
 1.2 4PIN CONTACT:C5191(T=0.25mm)
 1.3 5PIN CONTACT:C2680(T=0.20mm)
 1.4 SHELL:SUS201(T=0.30mm)
 2.ELECTRICAL CHARACTERISTICS:
 2.1 CURRENT RATING: 1.8A(PIN1, 4); OTHER CONTACTS 0.25A
 2.2 VOLTAGE RATING: 30V DC/AC MAX.
 2.3 CONTACT RESISTANCE: 30mΩ MAX. PIN1&PIN4 50mΩ MAX FOR OTHER CONTACTS.
 2.4 DIELECTRIC WITHSTANDING VOLTAGE: 100V AC FOR 1 MINUTE.
 2.5 INSULATION RESISTANCE: 100MΩ MIN.
 3.MECHANICAL CHARACTERISTICS:
 3.1 MATING FORCE: 35N(3.57 kgf) MAX.
 3.2 MATING FORCE: 10N(1.02 kgf) MIN. (INITIAL); 8N (0.816 kgf) Min. (FINAL).
 3.3 URABILITY: 5000 CYCLES.
 4.PLATING SPECIFICATION:
 4.1 CONTACTS: (SEE TABLE) GOLD PLATED ON CONTACT AREA, 100u" MIN. MATTE-TIN ON SOLDER TAIL, WITH ENTIRE ONTACT UNDERPLATED 50u" MIN. NICKEL.
 4.2 SHELL: 50u" MIN. NICKEL PLATED.
 4.3 Salt Spray 48H

A

B

C

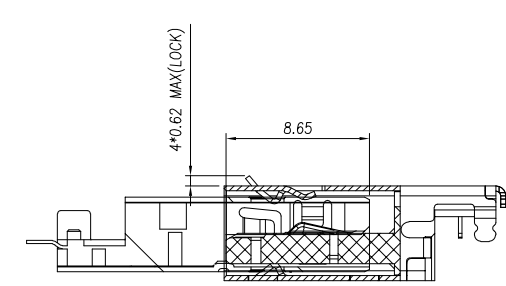
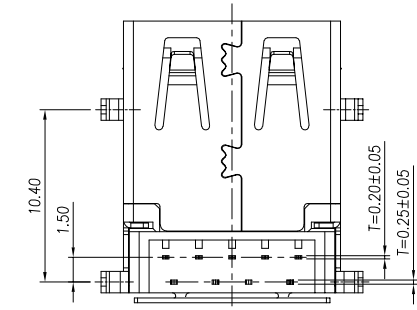
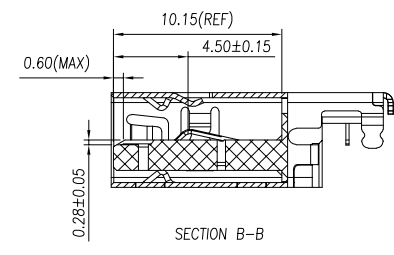
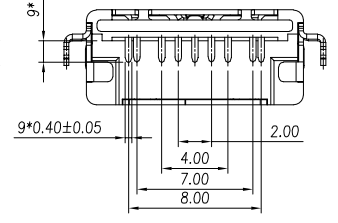
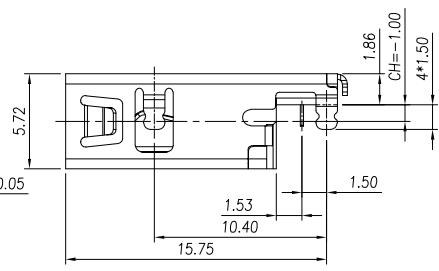
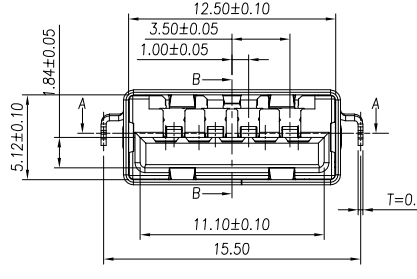
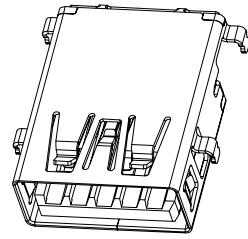
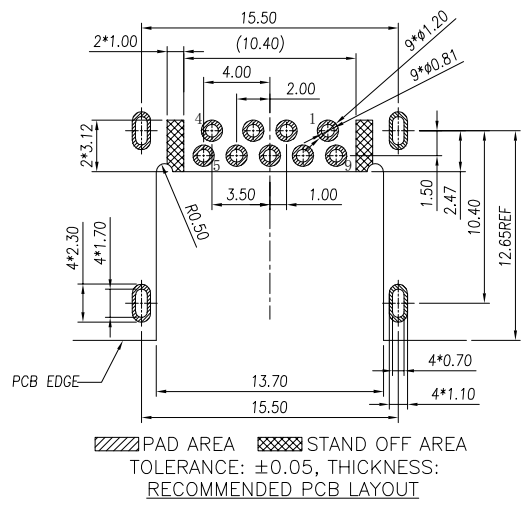
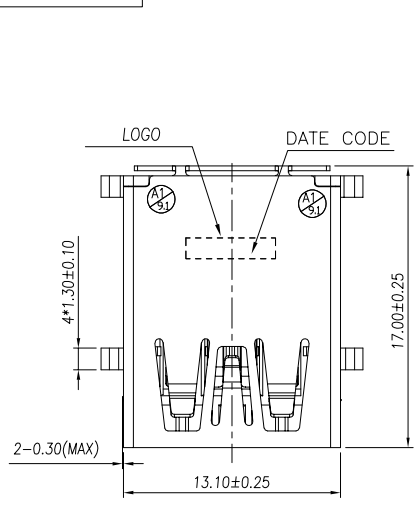
D

A

B

C

D



PART NO. INFORMATION

U03-A F X A X X -5023

PORT TYPE A: TYPE A	PACKAGE T: TRAY R:TAPE REEL
GENDER F: FEMALE M: MALE	HOUSING COLOR 2: WHITE 5: BLACK 9: BLUE
CONTACT PLATED 1: GOLD FLASH 2: GOLD 3U" 3: GOLD 5U" 4: GOLD 10U" 5: GOLD 15U" 6: GOLD 30U"	HOUSING MATERIAL A: LCP B: PBT C: PA9T D: PA6T E: PA46 F: PA66

Bestcreate Technology Limited

TOLERANCES UNLESS OTHERWISE SPECIFIED:

X.	± 0.30	X.*	± 3*
.X	± 0.20	.X*	± 2*
.XX	± 0.15	.XX*	± 1*

Website: www.bsc-elec.com
 E-mail: bestcreate@bsc-elec.com

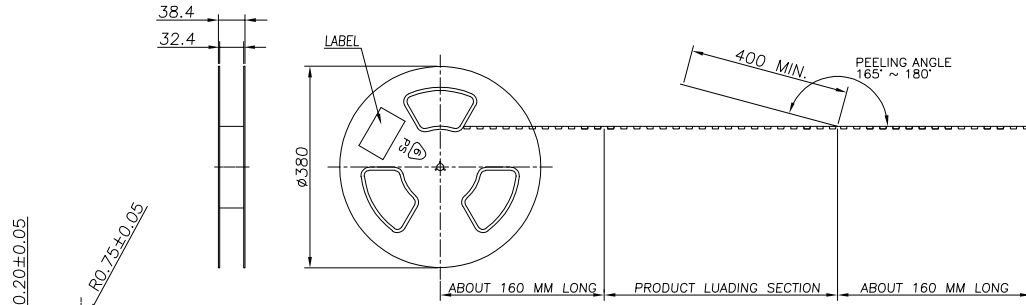
DESIGN: I.L	DATE: 2017.3.1
CHECKED: C.W	DATE: 2017.3.1
APPROVED: C.W	DATE: 2017.3.1

TITLE: USB 3.1 TYPE A 9P H=5.72MM CH=-1.0MM L=17.0MM REC, RVS, DIP TYPE		
MATERILA:	PART NO: U03-AFXAXX-5023	SIZE: A4
FINSH:	DWG NO: U03-AFXAXX-5023	SHEET: 1 OF 2

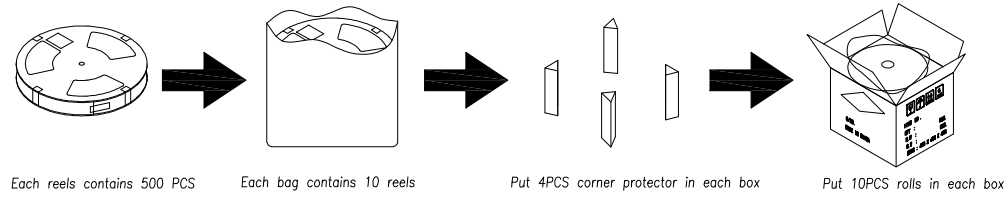
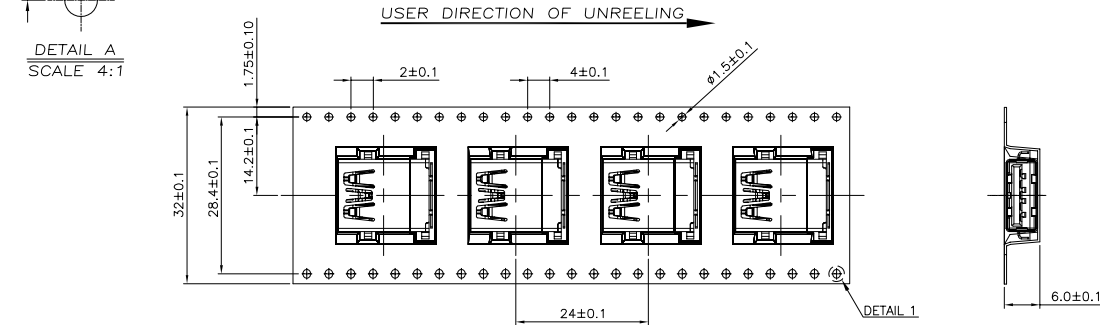
REV: A	UNIT mm	SCALE 1=1	QUALITY SYMBOLS
-----------	------------	--------------	-----------------

RoHS Compliant

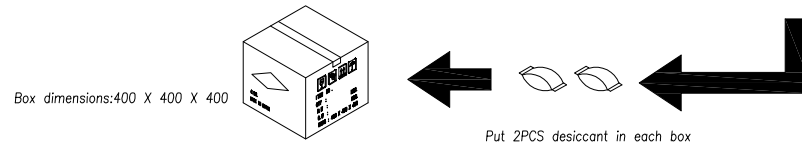
REVISIONS			
REV.	DESCRIPTION	DATE	DESIGN



- NOTE:
 1. MATERIAL:
 BOX: FIBREBOARD, CORRUGATED, DOUBLE WALL.
 TAPE: POLYSTYRENES, HEAT-RESISTANT TEMPERATURE: 120°C, Transparent COLOR.
 REEL: POLYSTYRENES, HEAT-RESISTANT TEMPERATURE: 70°C, BLUE COLOR.
 BAG: POLYETHYLENE, HEAT-RESISTANT TEMPERATURE: 100°C.
 2. PEELING STRENGTH: 0.1 ~ 1.3 N (10 ~ 130 GRAMS)
 3. PEELING SPEED: 300 mm/min.
 4. EACH BAG SHALL BE INCLUDED DESICCANT.



No.	Part No.	Part Name	Q'TY	Unit	Spec	
						500 PCS
		PSC/Reel	Reel/CARTON	QUANTITY	CROSS WEIGHT	NET WEIGHT
1	P42-041-F0000068	Reel	1	R	W32mm X P24mm X T0.5mm X 570PCS	
2	P42-041-F0000028	Upper band	15	M	W25.5X200m	
3	P37-041-F0080018	PE bag	1	PCS	L900mm X W750mm	
4	P43-041-F0080008	Paper guard angle	4	PCS	L390mm X W255mm	
5	P46-041-F0080008	Desiccant	2	PCS	--	
6	P38-041-F0080088	CARTON	1	PCS	L400mm X W400mm X H400mm	



Bestcreate Technology Limited

TOLERANCES UNLESS OTHERWISE SPECIFIED:

X.	± 0.30	X.*	± 3*
.X	± 0.20	.X*	± 2*
.XX	± 0.15	.XX*	± 1*

Website: www.bsc-elec.com
 E-mail: bestcreate@bsc-elec.com

DESIGN: I.L DATE: 2017.3.1

CHECKED: C.W DATE: 2017.3.1

APPROVED: C.W DATE: 2017.3.1

TITLE: USB 3.1 TYPE A 9P H=5.72MM CH=-1.0MM L=17.0MM REC, RVS, DIP TYPE

MATERILA: PART NO: U03-AFXAXX-5023 SIZE: A4

FINSH: DWG NO: U03-AFXAXX-5023 SHEET: 1 OF 2

REV: A UNIT mm SCALE 1=1 QUALITY SYMBOLS