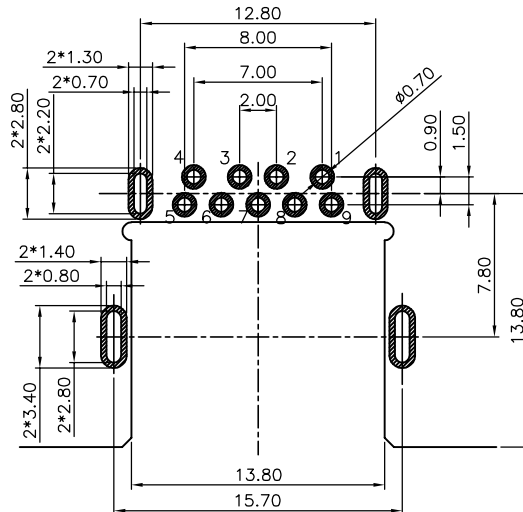
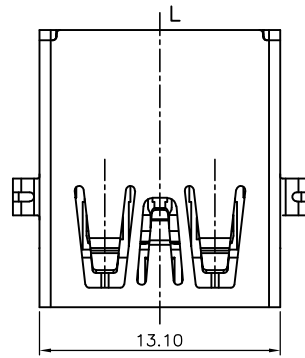
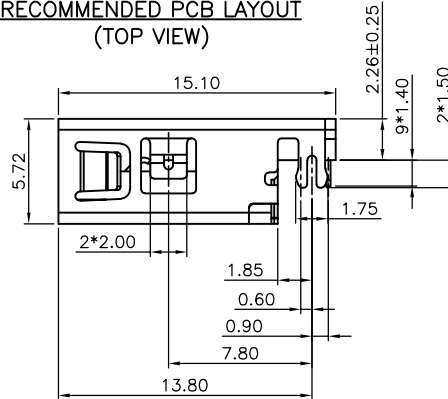
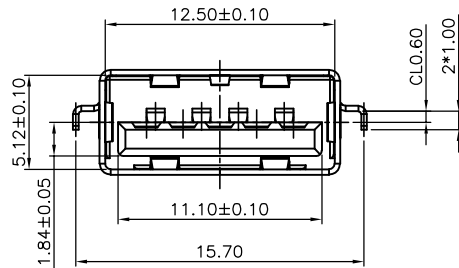


RoHS Compliant

REVISIONS			
REV.	DESCRIPTION	DATE	DESIGN



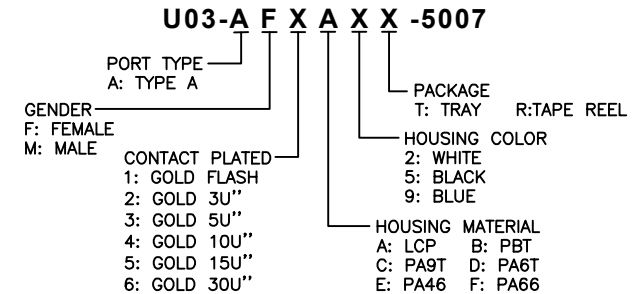
TOLERANCE:  $\pm 0.05$ , THICKNESS: 1.2mm  
RECOMMENDED PCB LAYOUT  
 (TOP VIEW)



**NOTE:**

1. MATERIAL:
  - 1.1 INSULATOR:LCP UL 94V-0
  - 1.2 CONTACT:BRONZE (T=0.20mm)
  - 1.3 SHELL:BRASS (T=0.30mm)
2. ELECTRICAL CHARACTERISTICS;
  - 2.1 CONTACTRESISTANCE:30mΩ MAXIMUM
  - 2.2 CONTACT CURRENT RATING:1.5A
  - 2.3 DIELECTRIC WITHSTANDING VOLTAGE:500 V R. M. S.
  - 2.4 INSULATION RESISTANCE 1000 MEGOHMS MIN
  - 2.5 OPERATING TEMPERATURE:-40° C ~ 85° C
- 3 MECHANICAL CHARACTERISTICS:
  - 3.1 MATING FORCE:3.57kg MAX
  - 3.2 UNMATED FORCE:1.02kg MIN
  - 3.3 DURABILITY:MANDATORY:5,000 CYCLES
4. PLATING
  - 4.1 TERMINAL:
    - 50u" MIN NICKEL ALL OVER
    - 100u"MIN Tin ON SOLDER AREA
    - (1~30)u"Au ON CONTACT AREA
  - 4.2 SHELL:100u"MIN. NICEL ALL OVER
5. ▼ FOR MAJOR DIM

PART NO. INFORMATION



Pin NUMBER	SIGNAL NAME
1	VBUS
2	D-
3	D+
4	GND
5	StdA_SSRX-
6	StdA_SSRX+
7	GND_DRAIN
8	StdA_SSTX-
9	StdA_SSTX+
Shell	Shield

**Bestcreate Technology Limited**

TOLERANCES UNLESS OTHERWISE SPECIFIED:

X.	$\pm 0.30$	X.*	$\pm 3^*$
.X	$\pm 0.20$	.X*	$\pm 2^*$
.XX	$\pm 0.15$	.XX*	$\pm 1^*$

DESIGN: I.L DATE: 2017.3.1

CHECKED: C.W DATE: 2017.3.1

APPROVED: C.W DATE: 2017.3.1

TITLE: USB3.0 AF板下沉板CL-0.6无边

MATERILA: PART NO: U03-AFXAXX-5007 SIZE: A4

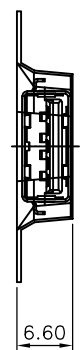
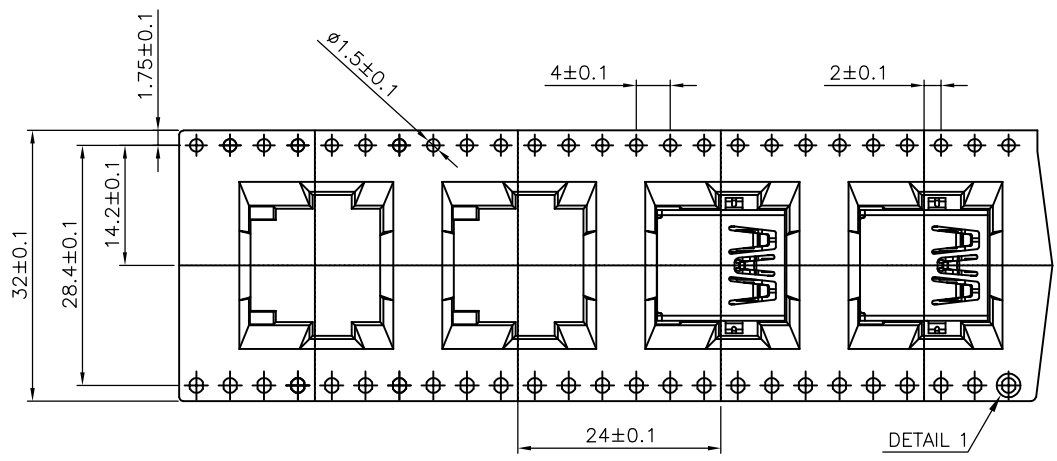
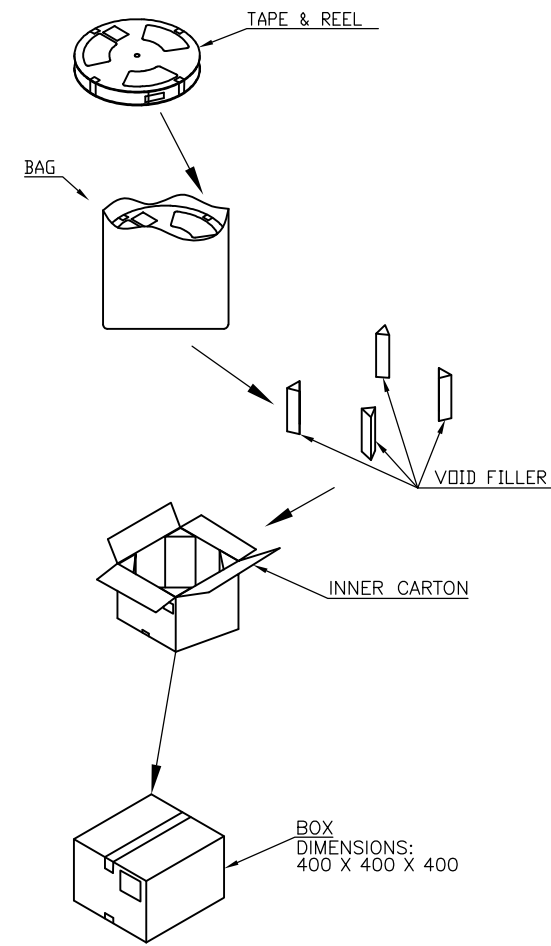
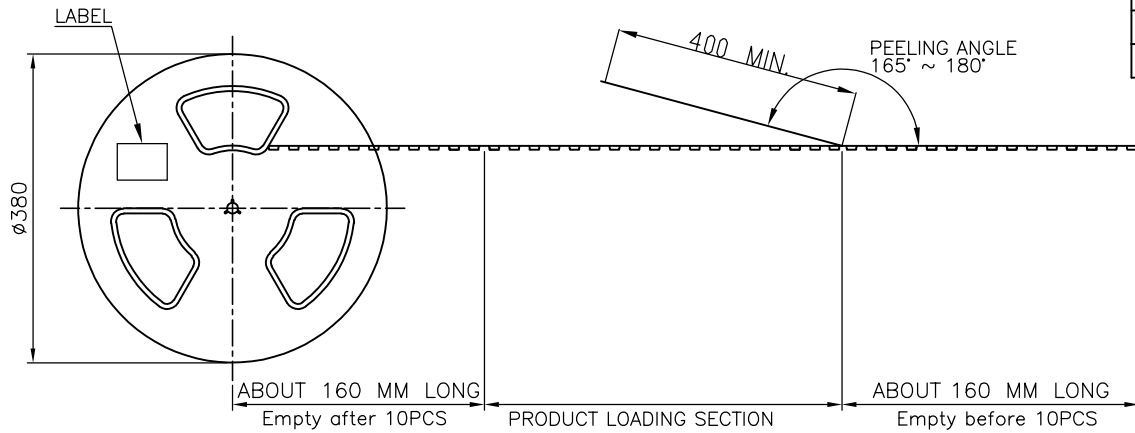
FINSH: DWG NO: U03-AFXAXX-5007 SHEET: 1 OF 2

Website: www.bsc-elec.com  
 E-mail: bestcreate@bsc-elec.com

REV: A UNIT mm SCALE 1=1 QUALITY SYMBOLS

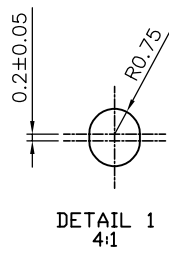
RoHS Compliant

REVISIONS			
REV.	DESCRIPTION	DATE	DESIGN



NOTE:

- MATERIAL:  
 BOX: FIBREBOARD, CORRUGATED, DOUBLE WALL  
 TAPE: POLYSTYRENES, HEAT-RESISTANT TEMPERATURE: 120°C, Transparent COLOR.  
 REEL: POLYSTYRENES, HEAT-RESISTANT TEMPERATURE: 70°C, BLUE COLOR.  
 BAG: POLYETHYLENE, HEAT-RESISTANT TEMPERATURE: 100°C.
- PEELING STRENGTH: 0.1 ~ 1.3 N (10 ~ 130 GRAMS)
- PEELING SPEED: 300 mm/min.
- EACH BAG SHALL BE INCLUDED DESICCANT.



550	10	5500 PCS	-- KG	-- KG
PCS/ REEL	REELS/ CARTON	QUANTITY	GROSS WEIGHT	NET WEIGHT

**Bestcreate Technology Limited**

TOLERANCES UNLESS OTHERWISE SPECIFIED:

X.	± 0.30	X.*	± 3°
.X	± 0.20	.X*	± 2°
.XX	± 0.15	.XX*	± 1°

Website: [www.bsc-elec.com](http://www.bsc-elec.com)  
 E-mail: [bestcreate@bsc-elec.com](mailto:bestcreate@bsc-elec.com)

DESIGN:  
I. L  
2017.3.1  
CHECKED:  
C. W  
2017.3.1  
APPROVED:  
C. W  
2017.3.1

DATE:  
DATE:  
DATE:

TITLE:

USB3.0 AF板下沉板包装图

MATERIAL:

FINISH:

PART NO:

DWG NO:

U03-AFXAXX-5007

U03-AFXAXX-5007

SIZE: A4

SHEET:  
2 OF 2

REV: A

UNIT mm

SCALE 1=1

QUALITY SYMBOLS