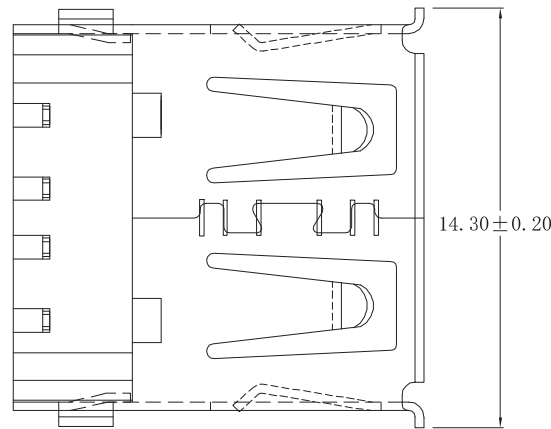
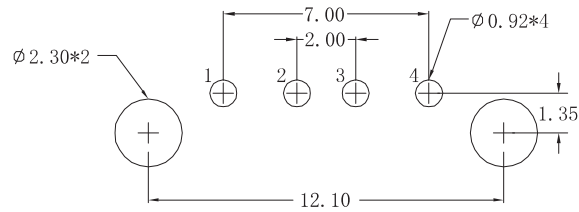
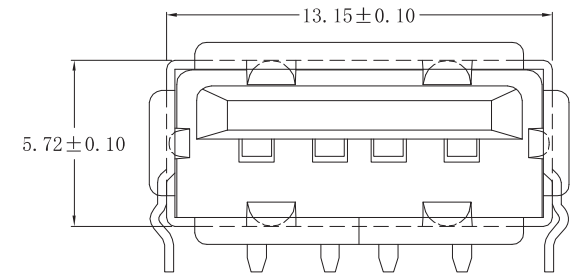
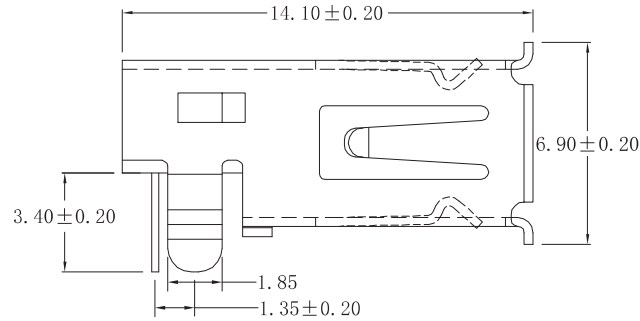
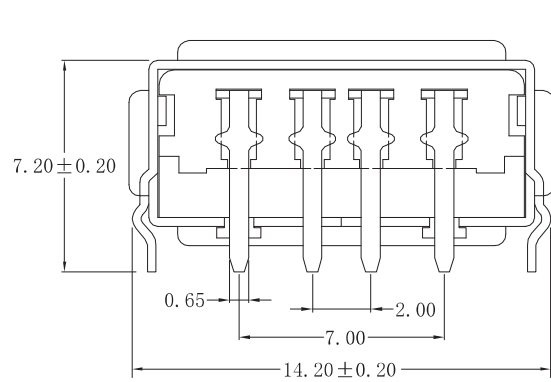


RoHS Compliant

REVISIONS			
REV.	DESCRIPTION	DATE	DESIGN



规格说明: Specifications:

电气特性: Electrical:

- 额定电流: Current Rating  
1.5A/contact terminal
- 额定电压: Voltage Rating  
30V DC
- 接触阻抗: Contact Resistance  
30 milliohms MAX
- 耐电压: Dielectric Withstanding Voltage:  
500 V AC AT Sea Level
- 绝缘阻抗: Insulation Resistance:  
1000MEGA ohms MIN

物理性能: Mechanical:

- 插拔力: Connector Mate and Unmate Force  
Mate force: 3.75kgf (MAX)  
Unmate force: 1.02kgf (MIN)
- 端子保持力: Terminal Retention  
1.2kgf (MIN)

原材料: Material:

- 塑胶: Housing:  
Hing Temperature Thermoplastics,  
UL 94V-0 PBT White/Black
- 端子: Contact: Copper Alloy C2680

电镀: Finish:

- 端子: Contact: Plated Gold in Mating Area;  
Tin On Solder Tails
- 外壳: Shell:  
Nickel Plating

PART NO. INFORMATION

U02-A F X X 5 T - 005

- PORT TYPE  
A: TYPE A
- GENDER  
F: FEMALE  
M: MALE
- CONTACT PLATED  
1: GOLD FLASH  
2: GOLD 3U"  
3: GOLD 5U"  
4: GOLD 10U"  
5: GOLD 15U"  
6: GOLD 30U"
- PACKAGE  
T: TRAY R: TAPE&REEL
- HOUSING COLOR  
2: WHITE  
5: BLACK  
9: NATURE
- HOUSING MATERIAL  
A: LCP B: PBT  
C: PA9T D: PA6T  
E: PA46 F: PA66

**Bestcreate Technology Limited**

TOLERANCES UNLESS OTHERWISE SPECIFIED:

X.	±	0.50	X'	±	3'
.X	±	0.30	.X'	±	2'
.XX	±	0.20	.XX'	±	1'

DESIGN: DATE:

I. L 2017. 3. 1

CHECKED: DATE:

C. W 2017. 3. 1

APPROVED: DATE:

C. W 2017. 3. 1

TITLE:

MID MOUNT USB 2.0 A/F CONNECTOR DIP 90°

MATERIAL:

PART NO:

U02-AFXX5T-005

SIZE:

A4

FINISH:

DWG NO:

U02-AFXX5T-005

REV:

A

UNIT

mm

SCALE

1=1

QUALITY SYMBOLS



Website: www.bsc-elec.com

Email: bestcreate@bsc-elec.com

1

2

3

4

5

6

7

8