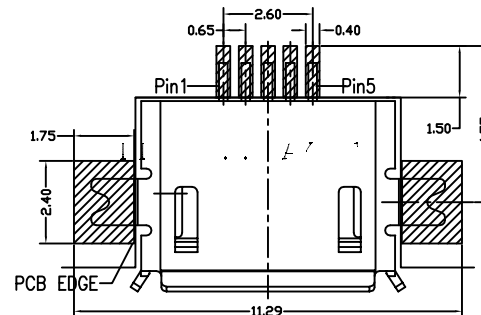
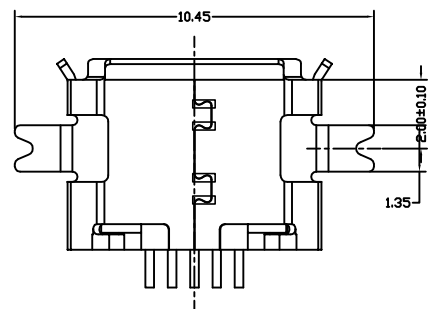
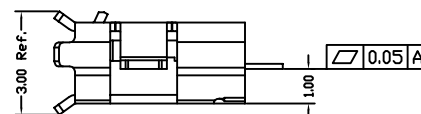
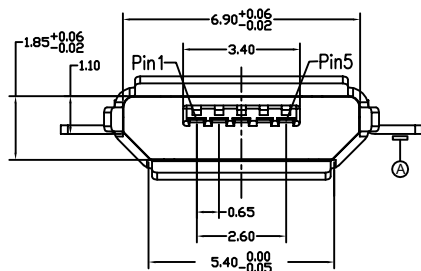
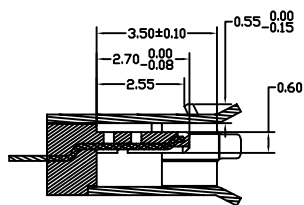
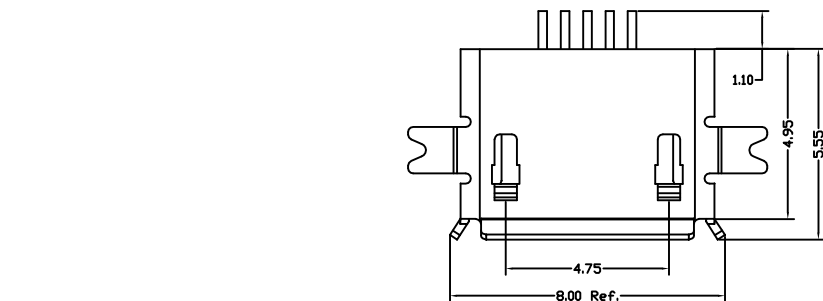
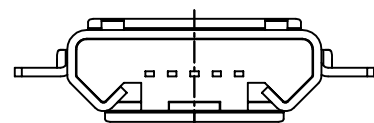


RoHS Compliant

REVISIONS			
REV.	DESCRIPTION	DATE	DESIGN



RECOMMENDED PCB LAYOUT  
PCB图仅供参考



Note:

1. Material:
  - 1.1 Housing: High temperature thermoplastic with g.f, UL94v-0
  - 1.2 Contact: copper alloy, t=0.20mm
  - 1.3 Shell: copper alloy, t=0.25mm
2. Specification:
  - 2.1 Current rating: 1 A Max.
  - 2.2 Dielectric withstanding voltage: 100 V(ac) for 1 min.
  - 2.3 Contact resistance: 50 mΩ Max.
  - 2.4 Insulation resistance: 100 MΩ Min.
  - 2.5 Total mating force: 3.57 Kgf Max.
  - 2.6 Total unmating force: 1.0 Kgf Min. 0.81~2.05 Kgf Min. after 10000 insertion/extraction cycles
  - 2.7 Temperature range: -30°C~80°C

PART NO. INFORMATION

**U01-B F X X 5 R - 503**

- PORT TYPE: B: TYPE B
- GENDER: F: FEMALE, M: MALE
- CONTACT PLATED: 1: GOLD FLASH, 2: GOLD 3U'', 3: GOLD 5U'', 4: GOLD 10U'', 5: GOLD 15U'', 6: GOLD 30U''
- PACKAGE: R: TAPE REEL
- HOUSING COLOR: 2: WHITE, 5: BLACK, 9: NATURE
- HOUSING MATERIAL: A: LCP, B: PBT, C: PA9T, D: PA6T, E: PA46, F: PA66

3	Shell	1	N/A
2	Contact	5	N/A
1	Housing	1	N/A
No	Name	O'tv	Finish

**Bestcreate Technology Limited**

TOLERANCES UNLESS OTHERWISE SPECIFIED:

X.	± 0.30	X.*	± 3'
.X	± 0.25	.X*	± 2'
.XX	± 0.20	.XX*	± 1'

Website: [www.bsc-elec.com](http://www.bsc-elec.com)  
E-mail: [bestcreate@bsc-elec.com](mailto:bestcreate@bsc-elec.com)

DESIGN: I. L DATE: 2017/5/1

CHECKED: C. W DATE: 2017/5/1

APPROVED: C. W DATE: 2017/5/1

TITLE: Mid-Mount Type Micro usb 5P B Female

MATERIAL: PART NO: U01-BFXX5R-503 SIZE: A4

FINSH: DWG NO: U01-BFXX5R-503 SHEET: 1 OF 1

REV: A UNIT mm SCALE 1=1 QUALITY SYMBOLS

1

2

3

4

5

6

7

8