

RoHS Compliant

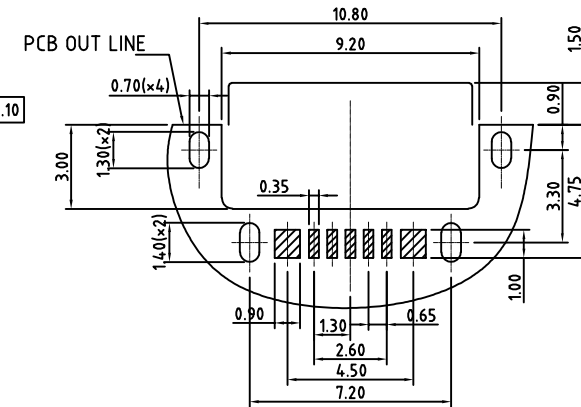
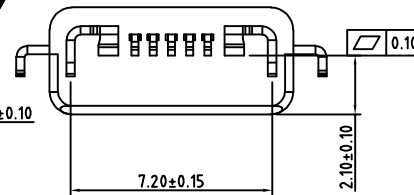
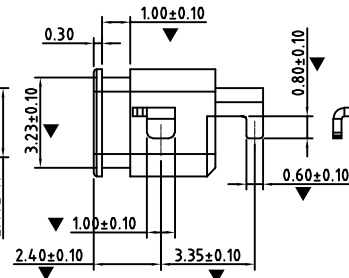
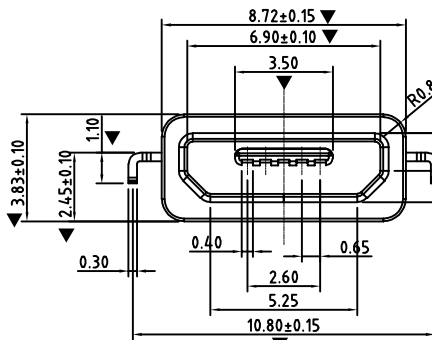
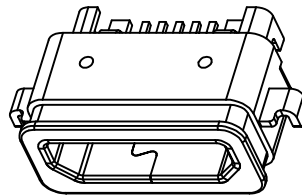
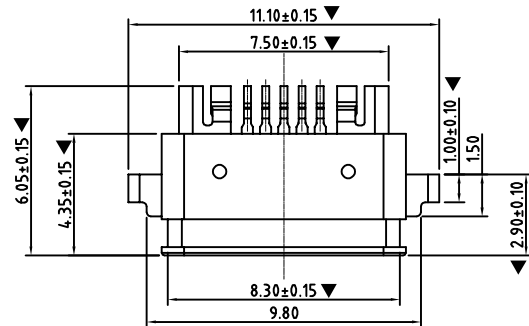
REVISIONS			
REV.	DESCRIPTION	DATE	DESIGN

Notes:

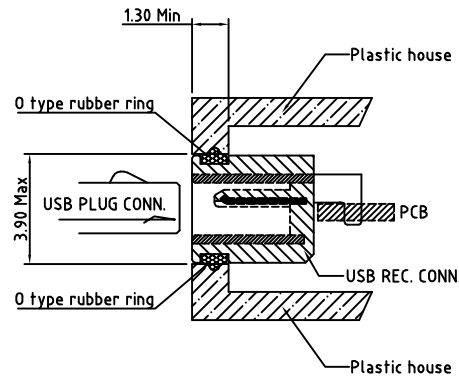
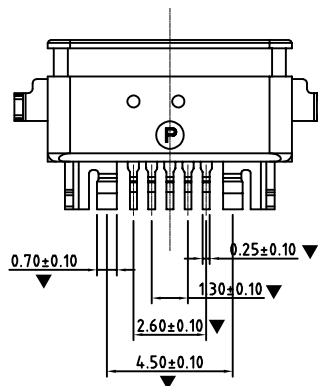
1. Dimension shall be interpreted per ASME Y14.5M1994.
2. Dimension marked ∇ & \blacktriangledown should be checked by Q.C. and process, engineers and ∇ should also check the CPK data.

Specification:

1. Current Rating: 1.8 AMP
2. Voltage Rating: 30V AC,DC
3. Dielectric Strength: 500V AC RMS for 1 minute.
4. Contact Resistance: 30 mΩ Max.
5. Insulator Resistance: 500MΩ Min. AT 250V DC.
6. Mating/Unmating cycles: 5000cycles
7. Temperature: -30°C to +80°C



P.C.B LAYOUT



3	Shell	1	SUS304R-1/2H Ti/Ni Plating T=0.30mm
2	Contact	5	Phosphor bronze C519R-EH Au/Ni Plating T=0.20mm
1	Housing	1	PA10T&LCP (G.F30%) Black
ITEM	PART NAME	Q' TY	FINISH

PART NO. INFORMATION

U01-B F X X 5 R - W020

PORT TYPE
B: TYPE B

GENDER
F: FEMALE
M: MALE

CONTACT PLATED
1: GOLD FLASH
2: GOLD 3U"
3: GOLD 5U"
4: GOLD 10U"
5: GOLD 15U"
6: GOLD 30U"

PACKAGE
R: TAPE REEL

HOUSING COLOR
2: WHITE
5: BLACK
9: NATURE

HOUSING MATERIAL
A: LCP B: PBT
C: PA9T D: PA6T
E: PA46 F: PA66

Bestcreate Technology Limited

TOLERANCES UNLESS OTHERWISE SPECIFIED:

X.	± 0.20	X.'	± 2'
.X	± 0.15	.X'	± 1'
.XX	± 0.10	.XX'	± 0.5'

DESIGN: I. L DATE: 2017/3/1

CHECKED: C. W DATE: 2017/3/1

APPROVED: C. W DATE: 2017/3/1

TITLE: IP66 MID MOUNT WATERPROOF MICRO USB 2.0 5P B FEMALE CONNECTOR SMT TYPE

MATERILA: PART NO: U01-BFXX5R-W020 SIZE: A4

FINSH: DWG NO: U01-BFXX5R-W020 SHEET: 1 OF 1

REV: A UNIT mm SCALE 1=1 QUALITY SYMBOLS

Website: www.bsc-elec.com
E-mail: bestcreate@bsc-elec.com