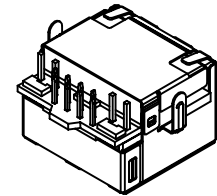
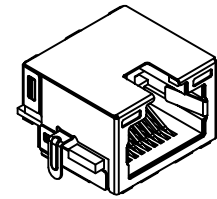


RoHS Compliant

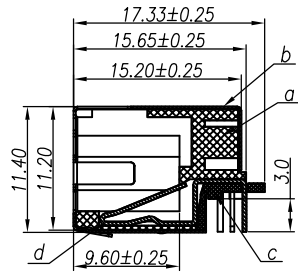
REVISIONS			
REV.	DESCRIPTION	DATE	DESIGN

Specifications:

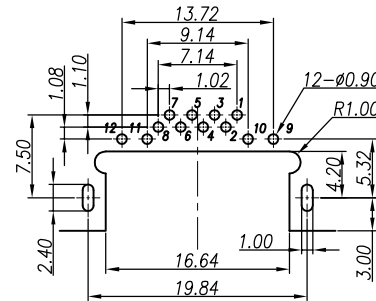
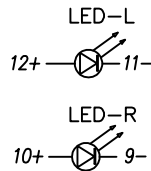
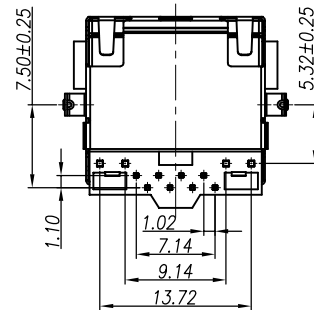
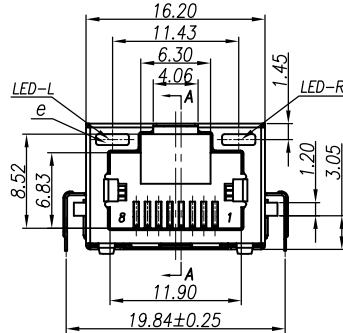
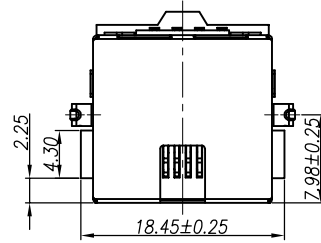
1. Rated Current: 1.5A
2. Contact resistance: 40mΩ MAX.
3. Insulation resistance: 500MΩ MIN.
4. Dielectric withstand: 500V AC for 1 minute
5. Operating temperature: -40°C~+80°C
6. Insertion/Extraction life: 750 Cycles



3D VIEW



Section:A-A



RECOMMENDED PCB LAYOUT (TOP VIEW)
(ALL TOLERANCES ARE ±0.05)

f	LED-R	1	See Table 2		
e	LED-L	1	See Table 2		
d	Terminal	8	PHOSPHOR BRONZE T=0.35mm	See Table 1	
c	Cover	1	LCP GF30% UL94V-0	Black	
b	Shell	1	BRASS T=0.20mm	Ni 30u"	
a	Housing	1	LCP GF30% UL94V-0	Black	
NO.	PART NAME	Q'TY	MATERIAL	PLATING & COLOR	Remark

PART NO. INFORMATION

RJ01- X 5 X X - 002

CONTACT PLATED

- 1: G/F
- 2: AU 3U"
- 3: AU 5U"
- 4: AU 10U"
- 5: AU 15U"
- 6: AU 30U"

PACKAGE

- R: TAPE REEL
- T: TRAY

LED-L LED-R
A: GREEN YELLOW
B: YELLOW GREEN

Bestcreate Technology Limited

TOLERANCES UNLESS OTHERWISE SPECIFIED:

.X	± 0.30	X.*	± 3°
.XX	± 0.20	.X*	± 2°
.XXX	± 0.10	.XX*	± 1°

Website: www.bsc-elec.com

Email: bestcreate@bsc-elec.com

DESIGN:	DATE:	TITLE:	
I. L	2017. 3. 1	MID MOUNT RJ45 CONNECTOR DIP Type WITH LED	
CHECKED:	DATE:	MATERIAL:	PART NO:
C. W	2017. 3. 1		RJ01-X5XX-002
APPROVED:	DATE:	FINISH:	DWG NO:
C. W	2017. 3. 1		RJ01-X5XX-002
			SIZE: A4

REV:	UNIT	SCALE	QUALITY SYMBOLS
A	mm	1=1	