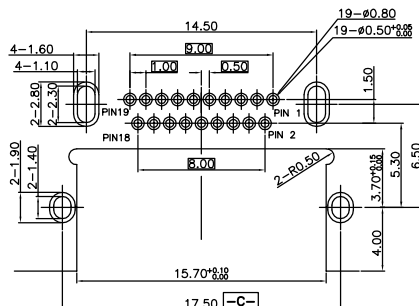
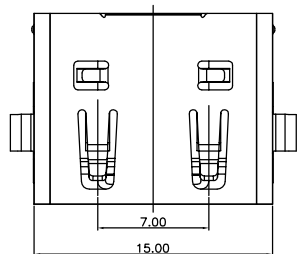


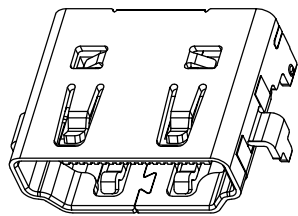
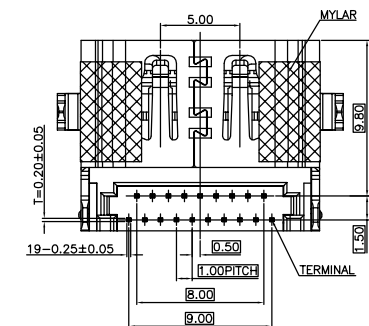
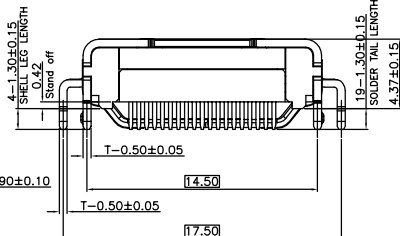
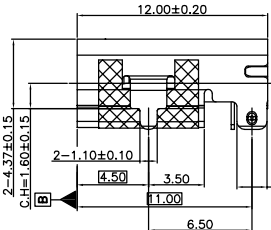
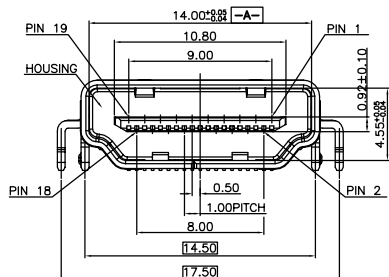
RoHS Compliant

REVISIONS			
REV.	DESCRIPTION	DATE	DESIGN

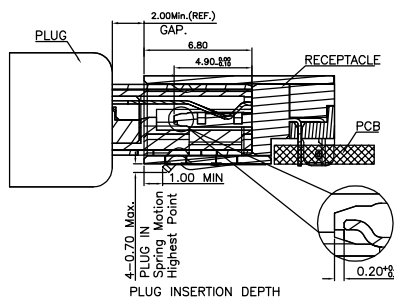


RECOMMENDED PCB LAYOUT(TOP VIEW)  
(THICKNESS=1.2±0.10mm)  
(TOLERANCE=±0.03mm)

- NOTES:
- ELECTRONIC:  
CONTACT RESISTANCE: 20mohm MAX  
INSULATION RESISTANCE: 1000 Mohm MIN  
WITHSTAND VOLTAGE:AC 500V,1min.
  - MECHANICAL:  
DURABILITY: 10000 CYCLE.
  - ENVIRONMENT CHARACTERISTICS:  
OPERING TEMPERATURE:-55°C TO +105°C
  - RECOMMANDER PCB THICKNESS 1.2 TO 1.60MM



3D VIEW



PART NO. INFORMATION

HD01-A F X X 5 R - 013

- PORT TYPE  
A: TYPE A
- GENDER  
F: FEMALE  
M: MALE
- CONTACT PLATED  
1: GOLD FLASH  
2: GOLD 3U''  
3: GOLD 5U''  
4: GOLD 10U''  
5: GOLD 15U''  
6: GOLD 30U''
- PACKAGE  
R: TAPE REEL
- HOUSING COLOR  
2: WHITE  
5: BLACK  
9: NATURE
- HOUSING MATERIAL  
A: LCP B: PBT  
C: PA9T D: PA6T  
E: PA46 F: PA66

ITEM	NAME	Q'TY	NOTES
③	CONTACTS	19	COPPER ALLOY, GOLD PLATED, OVER NICKEL ON CONTACT AREA AND 100U'' MIN. TIN PLATED OVER NICKEL ON SOLDER TAILS
②	HOUSING	1	THERMOPLASTIC UL94V-0
①	SHELL	1	SUS&COPPER ALLOY OR SPCC,NICKEL PLATED

**Bestcreate Technology Limited**

TOLERANCES UNLESS OTHERWISE SPECIFIED:

X.	± 0.35	X.'	± 3'
.X	± 0.25	.X'	± 2'
.XX	± 0.15	.XX'	± 1'

Tel/Whatsapp:0086-13712299763  
Skype: belle.wu3340

DESIGN:	DATE:	TITLE:	
I. L	2017. 3. 1	HDMI TYPE AF 正向沉板4.37 CH1.6	
CHECKED:	DATE:	MATERILA:	PART NO:
C. W	2017. 3. 1		HD01-AFXX5R-013
APPROVED:	DATE:	FINSH:	DWG NO:
C. W	2017. 3. 1		HD01-AFXX5R-013
			SIZE: A4

REV: A	UNIT mm	SCALE 1=1	QUALITY SYMBOLS
--------	---------	-----------	-----------------