

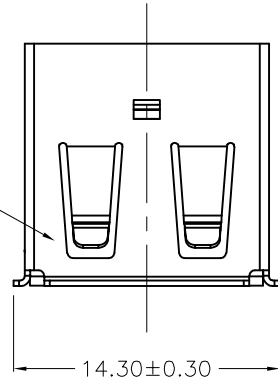
RoHS Compliant

REVISIONS			
REV.	DESCRIPTION	DATE	DESIGN

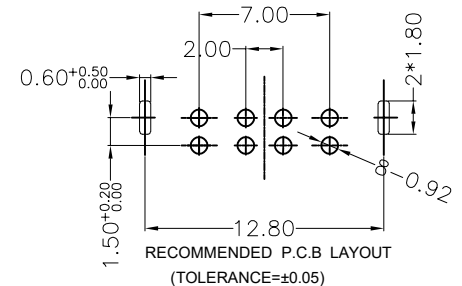
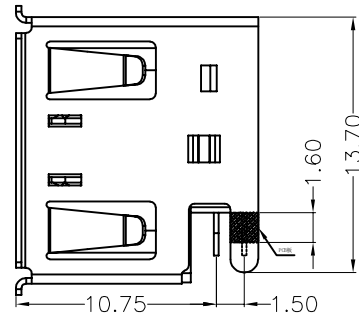
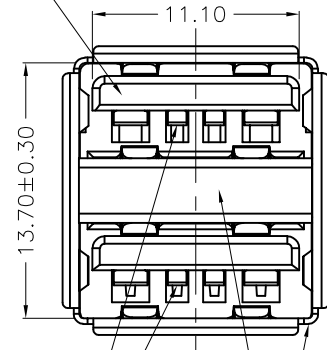
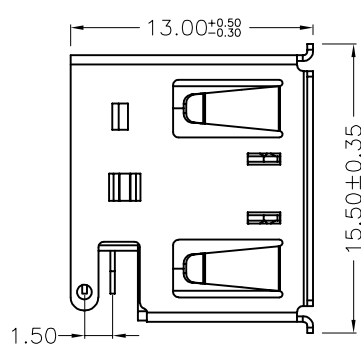
SPECIFICATIONS

- 1)Electrical:
 - 1.1 Contact Resistance: 30 mΩ Max
 - 1.2 Insulation Resistance: 1000MΩ Min
 - 1.3 Withstanding Voltage: 500V DC
 - 1.4 Current rating 5AMP Max.
 - 1.5 Total Mating Force: 3.57kg Max.
 - 1.6 Total Unmating force: 0.7kg Min.
 - 1.7temperature Rage: -55~+105°
- 2)Material:
 - 2.1 Housing: High temperature Plastics UL94V-0
 - 2.2 Standard: PBT+30%G.F
 - 2.3 Contact: brass
- 3)Finishing:
 - 3.1 platingAu or Sn Over 100u" Ni
 - 3.2 Crimp Terminal :Gold-plated contact points. Tin-lead foot
 - 3.2 Shell: Nickel-plating

3. shell 1: Spcc



1. Housing



2. Terminal: Brass

4. shell 2: Spcc

PART NO. INFORMATION

U02-D 5 A F X X X T - 001 - V1

- PIN NUMBER: 5: 5PIN
- PORT TYPE: A: TYPE A
- GENDER: F: FEMALE, M: MALE
- CONTACT PLATED: 1: GOLD FLASH 2: GOLD 3U", 3: GOLD 5U", 4: GOLD 10U", 5: GOLD 15U", 6: GOLD 30U"
- PACKAGE: T: TRAY R: TAPE&REEL
- HOUSING COLOR: 1: ORANGE 2: BLUE, 5: BLACK 9: GREEN
- HOUSING MATERIAL: A: LCP B: PBT, C: PA9T D: PA6T, E: PA46 F: PA66

Bestcreate Technology Limited

TOLERANCES UNLESS OTHERWISE SPECIFIED:			
.X	± 0.45	.X'	± 3'
.XX	± 0.35	.X''	± 2'
.XXX	± 0.20	.XX'	± 1'

Website:www.bsc-elec.com
Email:bestcreate@bsc-elec.com

DESIGN:	DATE:
I. L	2017. 3. 1
CHECKED:	DATE:
C. W	2017. 3. 1
APPROVED:	DATE:
C. W	2017. 3. 1

TITLE: MID MOUNT USB 2.0 A FEMALE DUAL ROW WITH LARGE CURRENT		
MATERILA:	PART NO: U02-D5AFXXXT-001-V1	SIZE: A4
FINSH:	DWG NO: U02-D5AFXXXT-001-V1	

REV: A	UNIT mm	SCALE 1=1	QUALITY SYMBOLS
-----------	------------	--------------	-----------------