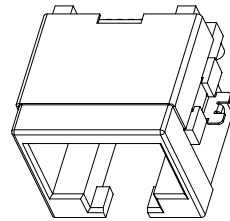
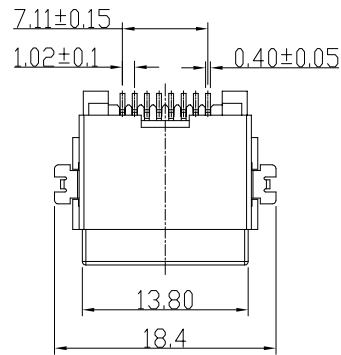


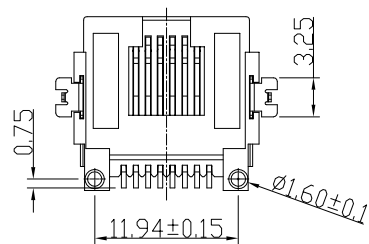
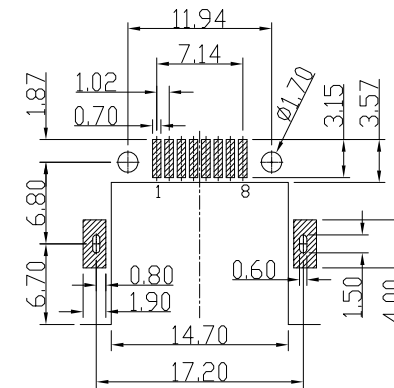
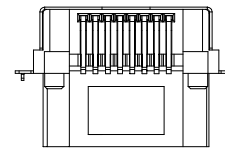
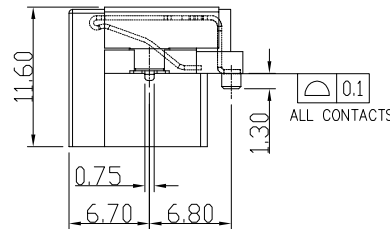
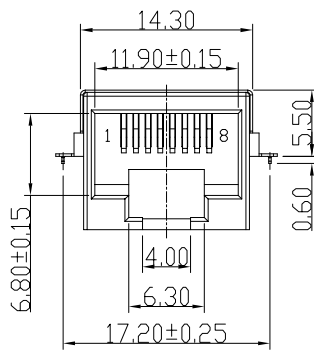
RoHS Compliant

| REVISIONS |             |      |        |
|-----------|-------------|------|--------|
| REV.      | DESCRIPTION | DATE | DESIGN |
|           |             |      |        |



SPECIFICATIONS:

1. Voltage: 150V AC RMS
2. Current Rating: 1.5A
3. Contact Resistance: 40mΩ MAX.
4. Insulation Resistance: 500MΩ MIN.
5. Dielectric Withstang Voltage :500V AC
6. Operature Temperature: -40°C~80°C
7. Durability: 750 Mating Cycles MIN.



PART NO. INFORMATION

**RJ01- X 5 0 R - 004**

CONTACT PLATED  
 1: G/F 2: AU 3U"  
 3: AU 5U" 4: AU 10U"  
 5: AU 15U" 6: AU 30U"  
 PACKAGE  
 R: TAPE REEL  
 T: TRAY

Recommend PCB Layout  
 Jack Top View  
 Tolerance: ±0.05mm

|     |           |      |                    |                 |        |
|-----|-----------|------|--------------------|-----------------|--------|
| c   | SHELL     | 1    | BRASS T=0.2mm      | Ni PALTING      |        |
| b   | TERMINAL  | 8    | PHOSPHOR BRONZE    | Au/Tin PALTING  |        |
| a   | HOUSING   | 1    | LCP+30%G.F UL94V-0 | BLACK           |        |
| NO. | PART NAME | Q'TY | MATERIAL           | PLATING & COLOR | Remark |

**Bestcreate Technology Limited**

TOLERANCES UNLESS OTHERWISE SPECIFIED:

|      |        |      |      |
|------|--------|------|------|
| .X   | ± 0.30 | .X'  | ± 3' |
| .XX  | ± 0.20 | .X'' | ± 2' |
| .XXX | ± 0.10 | .XX' | ± 1' |

Website: [www.bsc-elec.com](http://www.bsc-elec.com)  
 Email: [bestcreate@bsc-elec.com](mailto:bestcreate@bsc-elec.com)

DESIGN: DATE:

I.L 2017.3.1

CHECKED: DATE:

C.W 2017.3.1

APPROVED: DATE:

C.W 2017.3.1

TITLE:

MID MOUNT RJ45 8P8C SMT Type, H=5.5

MATERILA: PART NO: RJ01-X50X-004 SIZE: A4

FINSH: DWG NO: RJ01-X50X-004

REV: A UNIT mm SCALE 1=1 QUALITY SYMBOLS